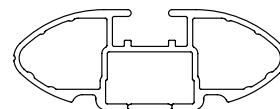
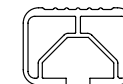




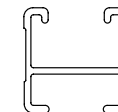
CROSSBAR IDENTIFICATION



VA crossbar



EURO crossbar



HD crossbar

Vehicle	Date	Crossbar	FRONT CROSSBAR					REAR CROSSBAR						
			Front Right Pad/Clamp	Front Left Pad/Clamp	Measurement strip length per side	Measurement strip length per side	Measurement Distance (x)	Foot plate arrow direction	Rear Right Pad/Clamp	Rear Left Pad/Clamp	Measurement strip length per side	Measurement strip length per side	Measurement Distance (x)	Foot plate arrow direction
HYUNDAI Genesis 4dr Sedan 2nd Gen DH	15-	1375mm	M366 SUB0632	M366 SUB0632	151mm	96mm	1065mm / 41,59/64"	OUT	M366 SUB0264	M366 SUB0264	133mm	78mm	1029mm / 40,33/64"	OUT
			Pad Arrow FORWARD						Pad Arrow OUT					



Rhino Rack 2500 Series - DK418 instruction

CONTROLLED

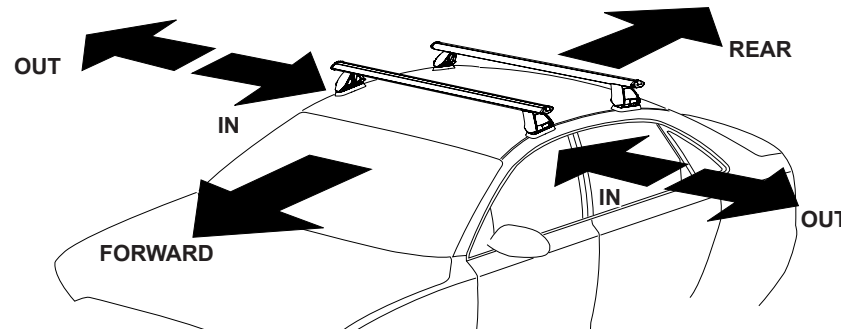
Measurement A: CENTRE of door jamb to CENTRE arrow of leg foot plate.

Measurement B: CENTRE of Front leg foot plate arrow to CENTRE of Rear leg foot plate arrow.

Carrying capacity: Roof rack is rated up to 75kg. Please refer to manufacturers handbook for your vehicles maximum roof load capacity. Always use the lower of the two figures.

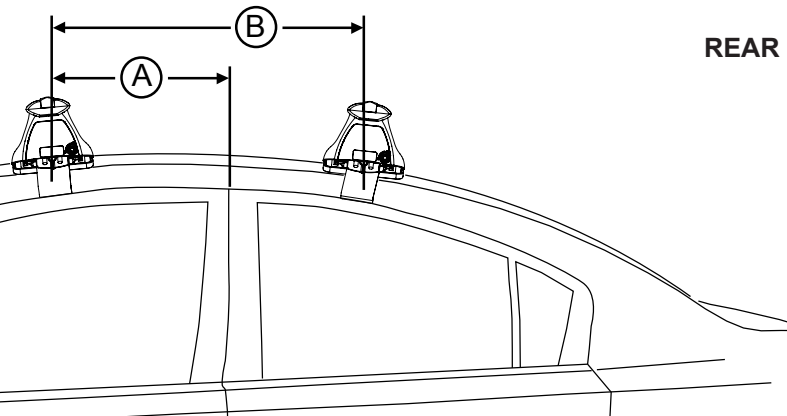
If your vehicle is not listed on this fitting instruction please refer to your countries Rhino-Rack web site for the latest information.

Direction of Pad Arrow and Foot Plate Arrow



FRONT

REAR



VEHICLE	Date	Measurement A	Measurement B	Load Rating up to (includes racks 5kg/ 11lbs)
HYUNDAI Genesis 4dr Sedan 2nd Gen DH	15-	240mm / 9,29/64"	650mm / 25,19/32"	75kg / 165lbs