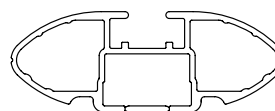
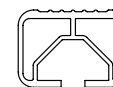




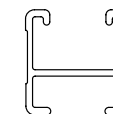
CROSSBAR IDENTIFICATION



VA crossbar



EURO crossbar



HD crossbar

| Vehicle | Date | Crossbar | FRONT CROSSBAR | | | | | REAR CROSSBAR | | | | | | |
|--------------------------------|-------------|----------|-----------------------|----------------------|-----------------------------------|----------------------------|----------------------------|----------------------|---------------------|-----------------------------------|----------------------------|----------------------------|------------------|-----|
| | | | Front Right Pad/Clamp | Front Left Pad/Clamp | Measurement strip length per side | Measurement Distance (x) | Foot plate arrow direction | Rear Right Pad/Clamp | Rear Left Pad/Clamp | Measurement strip length per side | Measurement Distance (x) | Foot plate arrow direction | | |
| Mazda3 5dr Hatch (3rd Gen; BM) | 2014 - 2018 | 1260mm | M282 SUB0517 | M281 SUB0517 | 164mm | 51mm | 976mm / 38,27/64" | OUT | M284 SUB0554 | M283 SUB0554 | 145mm | 32mm | 938mm / 37,3/16" | OUT |
| | | | Pad Arrow FORWARD | | | | | | Pad Arrow FORWARD | | | | | |
| | | | | | | | | | | | | | | |



DK406 Rhino-Rack VA, DA, Euro & HD crossbar instruction

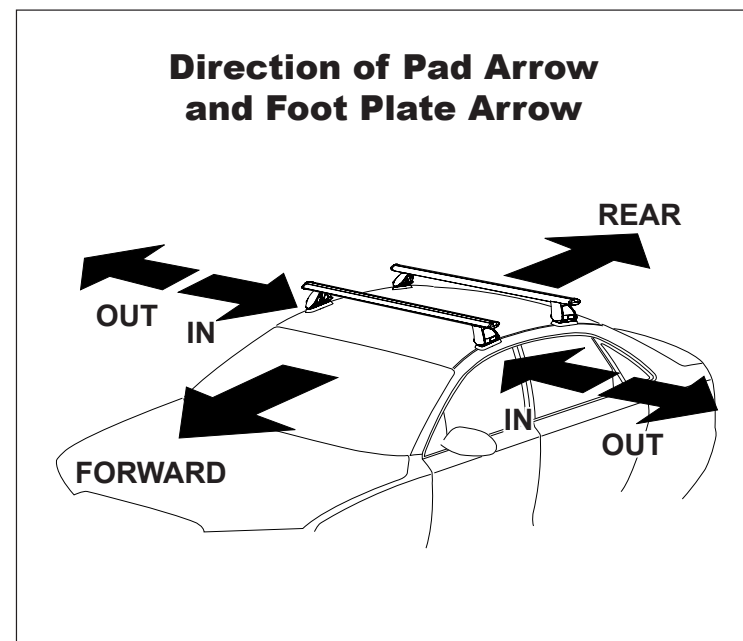
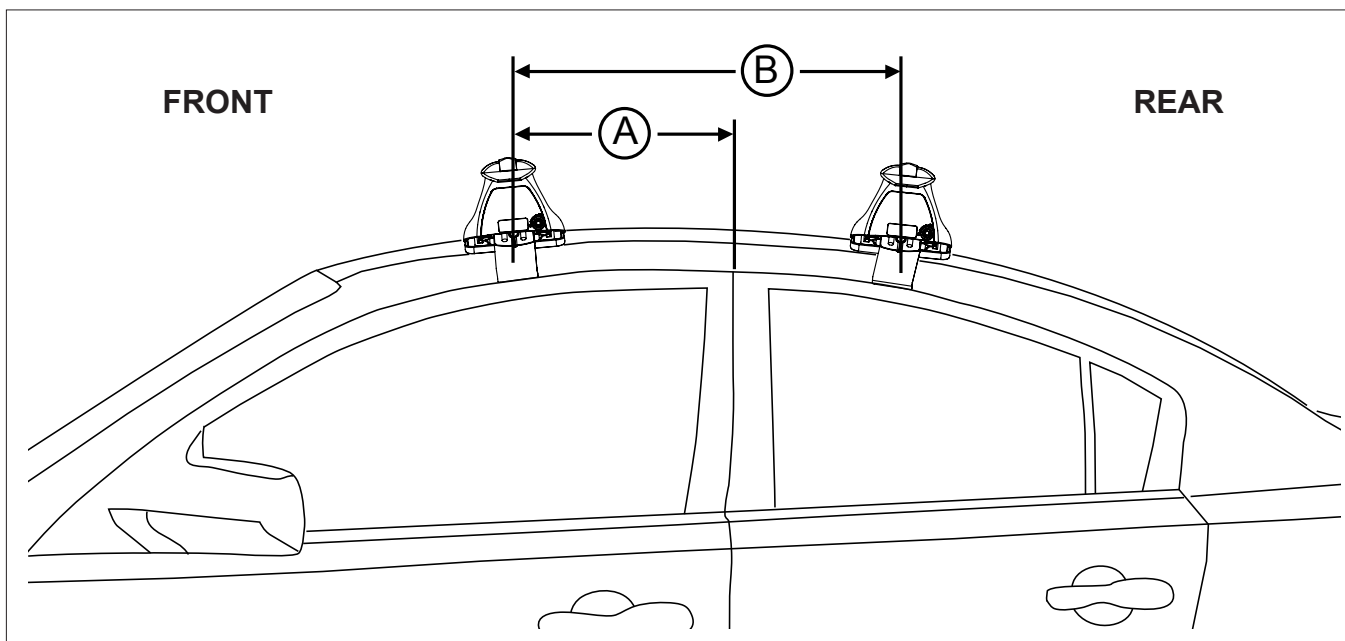
CONTROLLED

Measurement A: CENTRE of door jamb to CENTRE arrow of leg foot plate.

Measurement B: CENTRE of Front leg foot plate arrow to CENTRE of Rear leg foot plate arrow.

Carrying capacity: Roof rack is rated to 75kg. Please refer to manufacturers handbook for your vehicles maximum roof load capacity. Always use the lower of the two figures.

If your vehicle is not listed on this fitting instruction please refer to your countries Rhino-Rack web site for the latest information.



| VEHICLE | Date | Measurement A | Measurement B | Load Rating (includes racks 5kg/ 11lbs) |
|--------------------------------|-------------|------------------|-----------------|--|
| Mazda3 5dr Hatch (3rd Gen; BM) | 2014 - 2018 | 110mm / 4,21/64" | 600mm / 23,5/8" | 75kg / 165lbs |
| | | | | |
| | | | | |