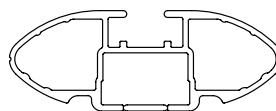
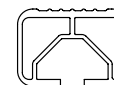




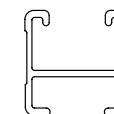
IDENTIFICATION CHART



VA crossbar



EURO crossbar



HD crossbar

		FRONT CROSSBAR						REAR CROSSBAR						
Vehicle	Date	Crossbar	Front Right Pad/ Clamp	Front Left Pad/ Clamp	Measurement strip length per side	Measurement strip length per side	Measurement Distance (x)	Foot plate arrow direction	Rear Right Pad/ Clamp	Rear Left Pad/ Clamp	Measurement strip length per side	Measurement strip length per side	Measurement Distance (x)	Foot plate arrow direction
Toyota Highlander	2014 -	1375mm	M368 SUB0256	M368 SUB0256	178mm	123mm	1119mm / 44,1/16"	OUT	M506 SUB0256	M505 SUB0256	163mm	108mm	1089mm / 42,7/8"	OUT
			Pad Arrow OUT						Pad Arrow OUT					
Toyota Kluger	3/2014	1375mm	M368 SUB0256	M368 SUB0256	178mm	123mm	1119mm / 44,1/16"	OUT	M506 SUB0256	M505 SUB0256	163mm	108mm	1089mm / 42,7/8"	OUT
			Pad Arrow OUT						Pad Arrow OUT					



DK395 Rhino-Rack VA, DA, Euro & HD crossbar instruction

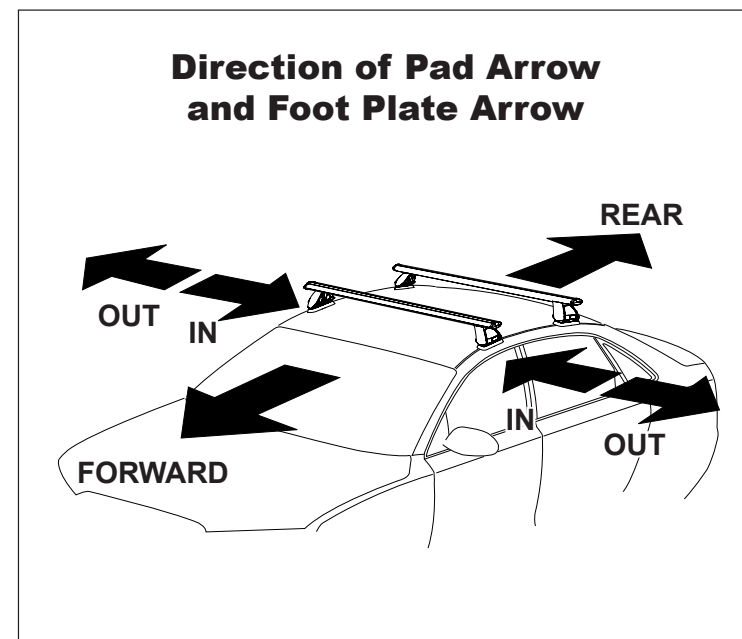
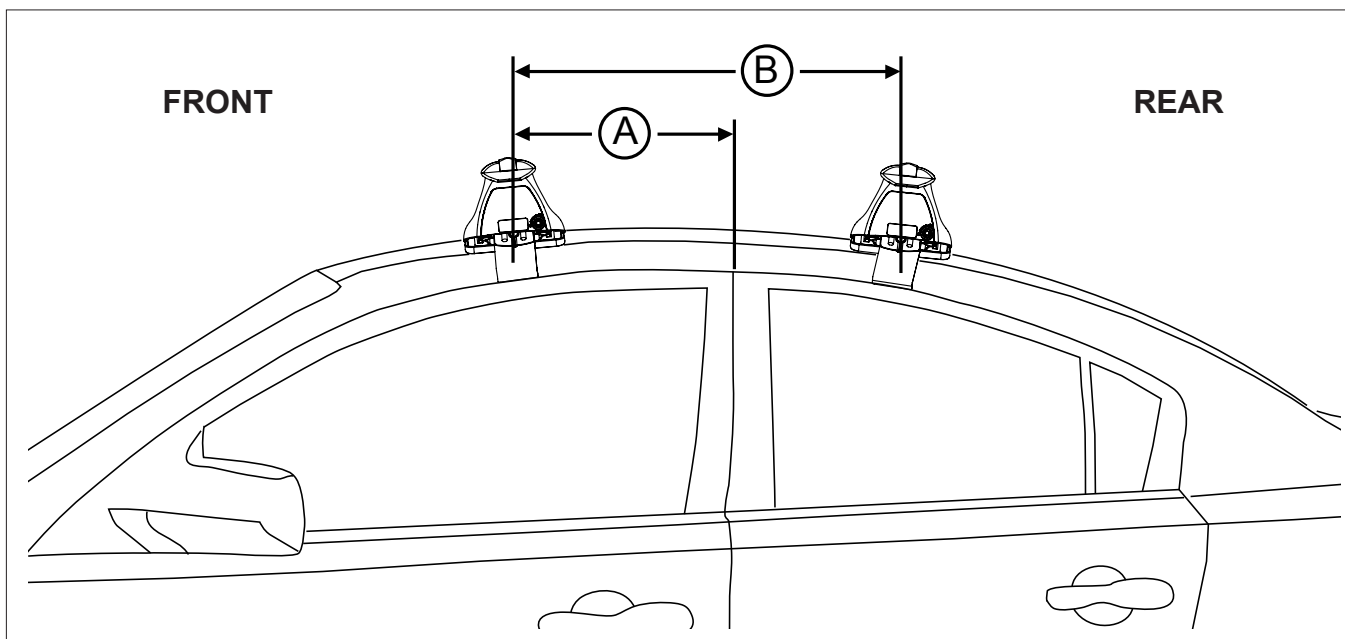
CONTROLLED

Measurement A: CENTRE of door jamb to CENTRE arrow of leg foot plate.

Measurement B: CENTRE of Front leg foot plate arrow to CENTRE of Rear leg foot plate arrow.

Carrying capacity: Roof rack is rated to 75kg. Please refer to manufacturers handbook for your vehicles maximum roof load capacity. Always use the lower of the two figures.

If your vehicle is not listed on this fitting instruction please refer to your countries Rhino-Rack web site for the latest information.



VEHICLE	Date	Measurement A	Measurement B	Load Rating (includes racks 5kg/ 11lbs)
Toyota Highlander	2014 -	50mm / 1,31/32"	800mm / 31,1/2"	75kg / 165lbs
Toyota Kluger	3/2014 -	50mm / 1,31/32"	800mm / 31,1/2"	75kg / 165lbs