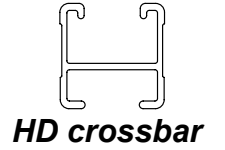
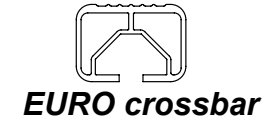
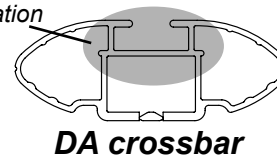
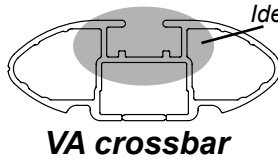




Rhino Rack 2500 Series - DK394 instruction

IDENTIFICATION CHART



Vehicle	Date	Crossbar	FRONT CROSSBAR					REAR CROSSBAR						
			Front Right Pad/ Clamp	Front Left Pad/ Clamp	Measurement strip length per side	Measurement strip length per side	Measurement Distance (x)	Foot plate arrow direction	Rear Right Pad/ Clamp	Rear Left Pad/ Clamp	Measurement strip length per side	Measurement strip length per side	Measurement Distance (x)	Foot plate arrow direction
Lexus CT/ CT F Sport 5dr hatch (ZWA10R)	2011-	1180mm	M506 SUB0144	M505 SUB0144	170mm	115mm	908mm / 35,3/4"	OUT	M368 SUB0144	M368 SUB0144	167mm	112mm	902mm / 35,33/64 "	OUT
			Pad Arrow OUT						Pad Arrow OUT					



Rhino Rack 2500 Series - DK394 instruction

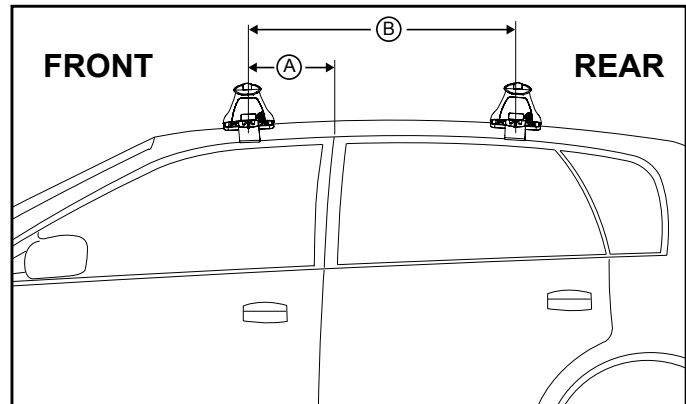
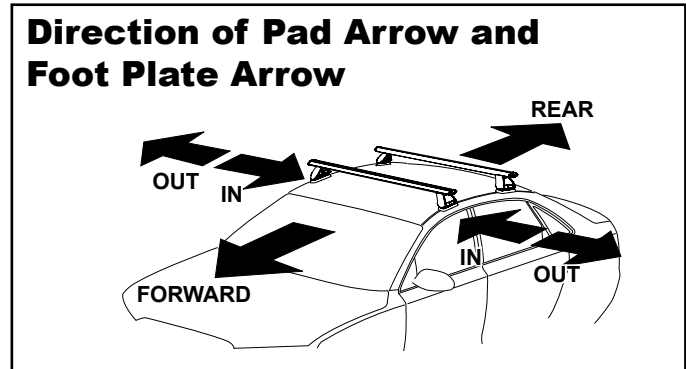
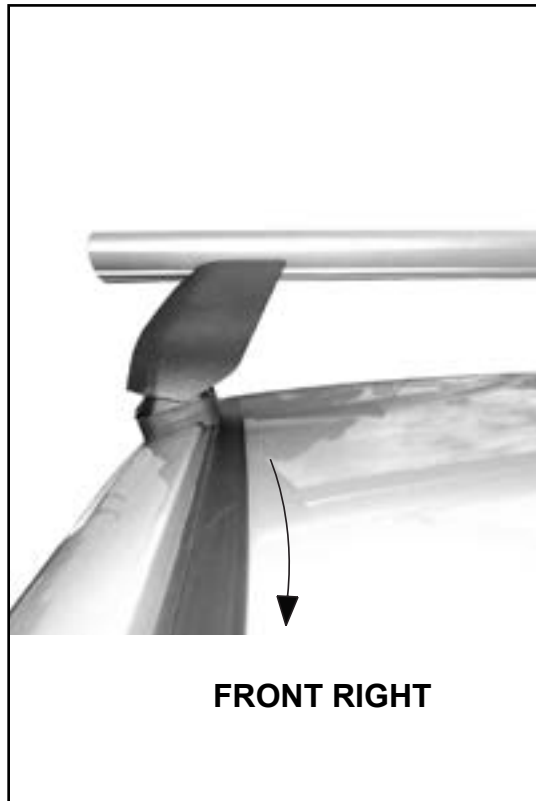
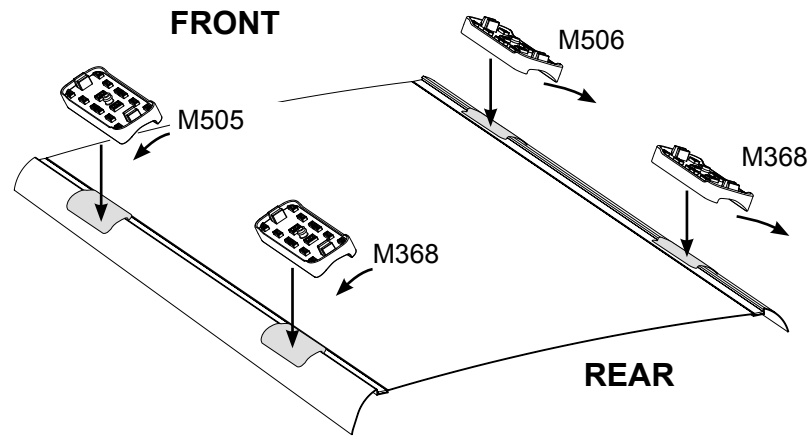
Measurement A: CENTRE of door jamb to CENTRE arrow of leg foot plate.

Measurement B: CENTRE of Front leg foot plate arrow to CENTRE of Rear leg foot plate arrow.

Carrying capacity: Roof rack is rated to 75kg. Please refer to manufacturers handbook for your vehicles maximum roof load capacity. Always use the lower of the two figures.

If your vehicle is not listed on this fitting instruction please refer to your countries Rhino-Rack web site for the latest information.

- Pad M505 FRONT Left of vehicle Arrow facing outward
- Pad M506 FRONT Right of vehicle Arrow facing outward
- Pad M368 REAR Right of vehicle Arrow facing outward
- Pad M368 REAR Left of vehicle Arrow facing outward



VEHICLE	Date	Measurement A	Measurement B	Load Rating (includes racks 5kg/ 11lbs)
Lexus CT/CT F Sport 5dr hatch (ZWA10R)	2011-	350mm / 13,25/32"	690mm / 27,11/64"	75kg / 165lbs