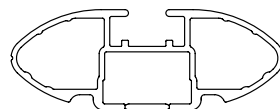
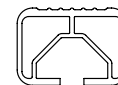




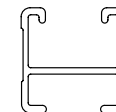
**CROSSBAR IDENTIFICATION**



**VA crossbar**



**EURO crossbar**



**HD crossbar**

Vehicle	Date	Crossbar	FRONT CROSSBAR					REAR CROSSBAR						
			Front Right Pad/Clamp	Front Left Pad/Clamp	Measurement strip length per side	Measurement Distance (x)	Foot plate arrow direction	Rear Right Pad/Clamp	Rear Left Pad/Clamp	Measurement strip length per side	Measurement Distance (x)	Foot plate arrow direction		
Toyota Corolla Gen 11 4dr sedan	3/14-11/19	1180mm	M565 SUB0370	M564 SUB0370	166mm	111mm	900mm 35,7/16"	OUT	M567 SUB0368	M566 SUB0368	161mm	106mm	890mm 35,3/64"	OUT
			Pad Arrow OUT						Pad Arrow OUT					



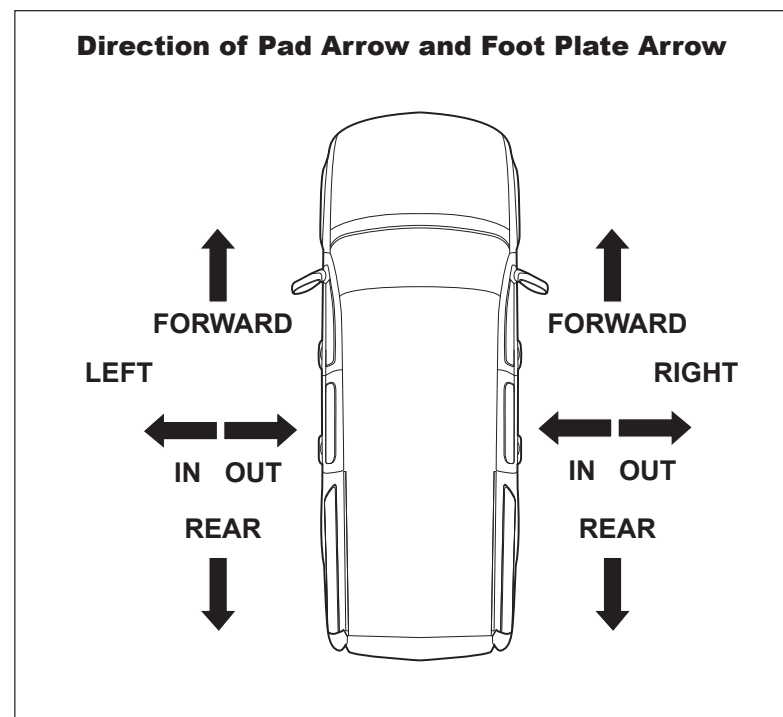
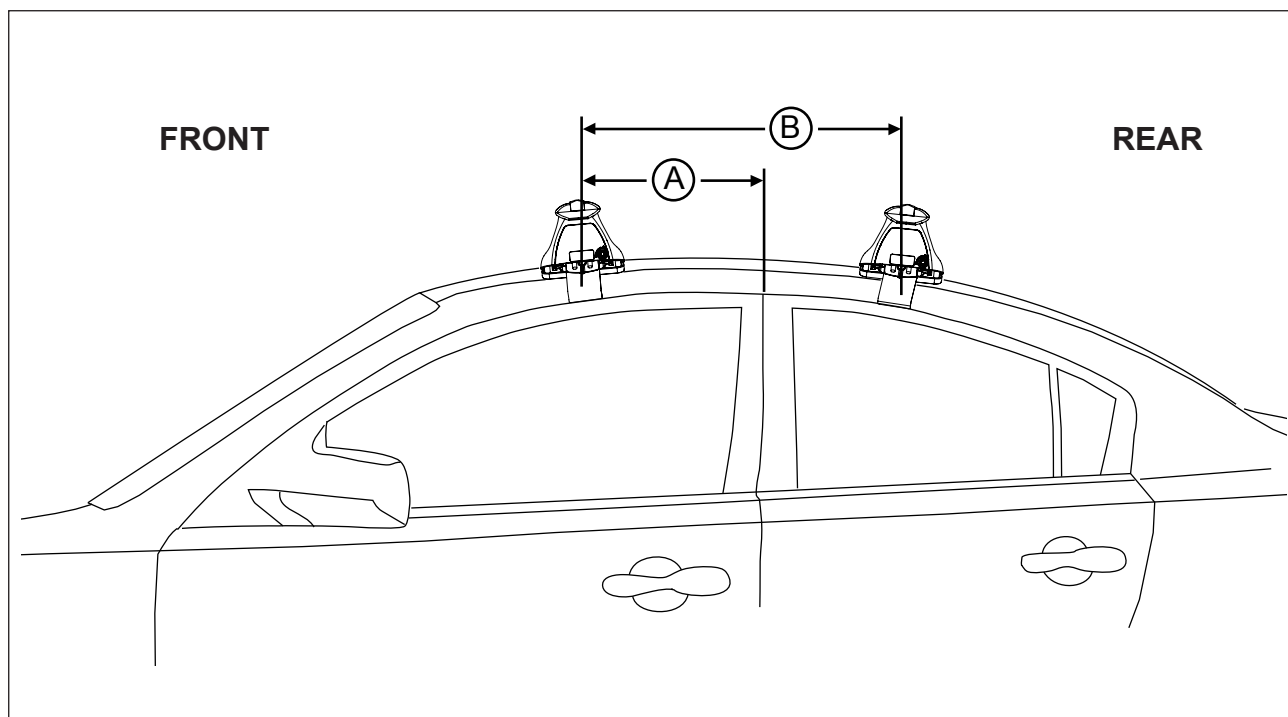
# DK392 Rhino-Rack VA, DA, Euro & HD crossbar instruction

**Measurement A:** CENTRE of door jamb to CENTRE arrow of leg foot plate.

**Measurement B:** CENTRE of Front leg foot plate arrow to CENTRE of Rear leg foot plate arrow.

**Carrying capacity:** Roof rack is rated to 75kg. Please refer to manufacturers handbook for your vehicles maximum roof load capacity. Always use the lower of the two figures.

If your vehicle is not listed on this fitting instruction please refer to your countries Rhino-Rack web site for the latest information.



VEHICLE	Date	Measurement A	Measurement B	Load Rating (includes racks 5kg/ 11lbs)
Toyota Corolla Gen 11 4dr sedan	03/14-11/19	300mm / 11,13/16"	730mm / 28,3/4"	75kg/ 165lbs