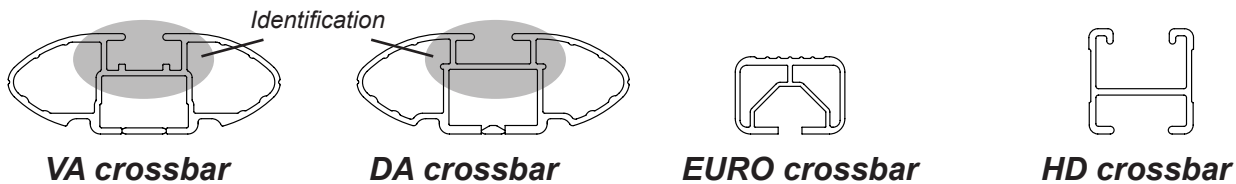




# DK370 Rhino-Rack VA, DA, Euro & HD crossbar instruction

## IDENTIFICATION CHART



Vehicle	Date	Crossbar	FRONT CROSSBAR					REAR CROSSBAR						
			Front Right Pad/ Clamp	Front Left Pad/ Clamp	Measurement strip length per side	Measurement strip length per side	Measurement Distance ( x )	Foot plate arrow direction	Rear Right Pad/ Clamp	Rear Left Pad/ Clamp	Measurement strip length per side	Measurement strip length per side	Measurement Distance ( x )	Foot plate arrow direction
Ssangyong Korando C200	11-on	1260mm	M415 114490	M414 114490	184mm	71mm	1016mm 40"	OUT	M368 Sub0151	M368 Sub0151	160mm	47mm	968mm 38,7/64"	OUT
			Arrow OUT						Arrow OUT					



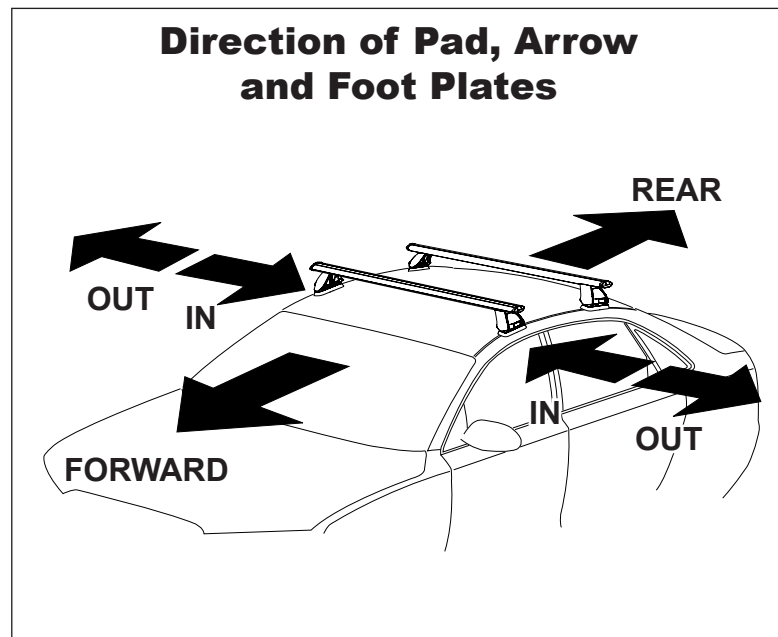
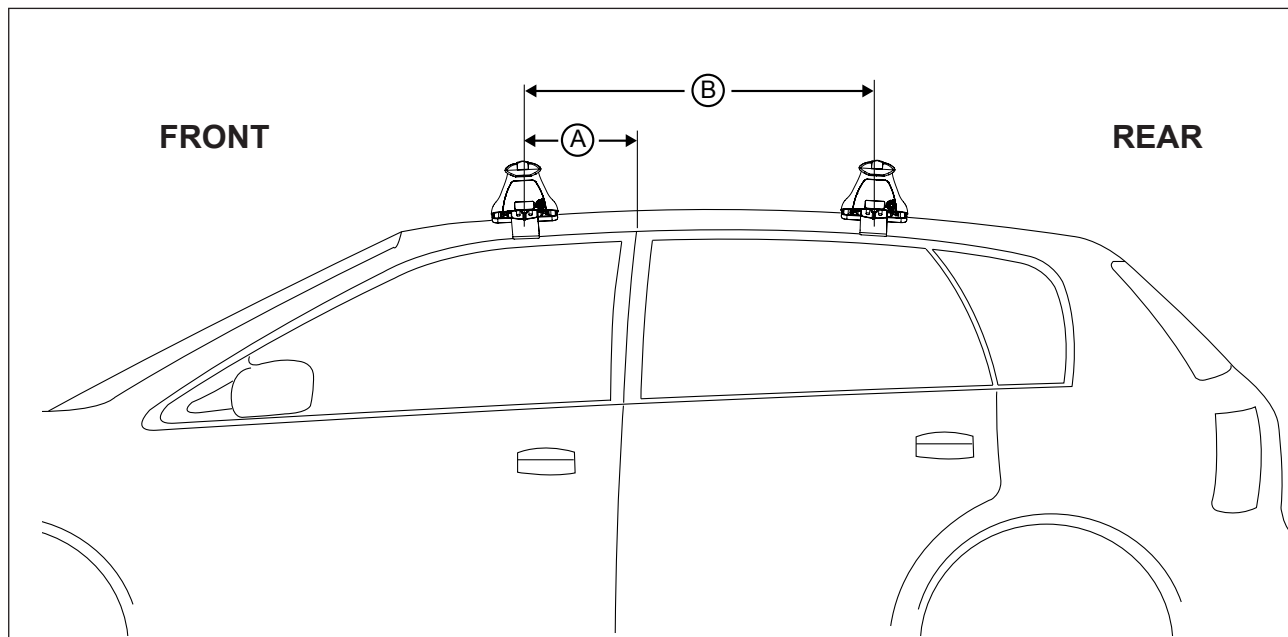
# DK370 Rhino-Rack VA, DA, Euro & HD crossbar instruction

**Measurement A:** CENTRE of door jamb to CENTRE arrow of leg foot plate.

**Measurement B:** CENTRE of Front leg foot plate arrow to CENTRE of Rear leg foot plate arrow.

**Carrying capacity:** Roof rack is rated to 75kg. Please refer to manufacturers handbook for your vehicles maximum roof load capacity. Always use the lower of the two figures.

If your vehicle is not listed on this fitting instruction please refer to your countries Rhino-Rack web site for the latest information.



VEHICLE	Date	Measurement A	Measurement B	Load Rating (includes racks 5kg/ 11lbs)
Ssangyong Korando C200	11-onwards	220mm / 8,21/32"	750mm / 29,17/32"	75kg/ 165lbs