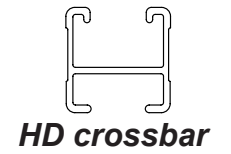
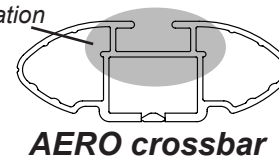
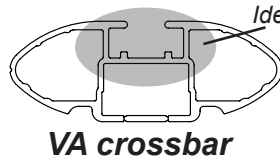




DK332 Rhino-Rack VA, Aero, Euro & HD crossbar instruction

IDENTIFICATION CHART



FRONT CROSSBAR

REAR CROSSBAR

Vehicle	Date	Crossbar	FRONT CROSSBAR					REAR CROSSBAR						
			Front Right Pad/ Clamp	Front Left Pad/ Clamp	Measurement strip length per side	Measurement strip length per side	Measurement Distance (x)	Foot plate arrow direction	Rear Right Pad/ Clamp	Rear Left Pad/ Clamp	Measurement strip length per side	Measurement strip length per side	Measurement Distance (x)	Foot plate arrow direction
Lexus GS 4dr sedan	2012-	1180mm	142697 SUB0151	142696 SUB0151	194mm	139mm	956mm / 37,41/64"	OUT	M506 SUB0370	M505 SUB0370	180mm	125mm	928mm / 36,17/32"	OUT
			Arrow OUT						Arrow OUT					



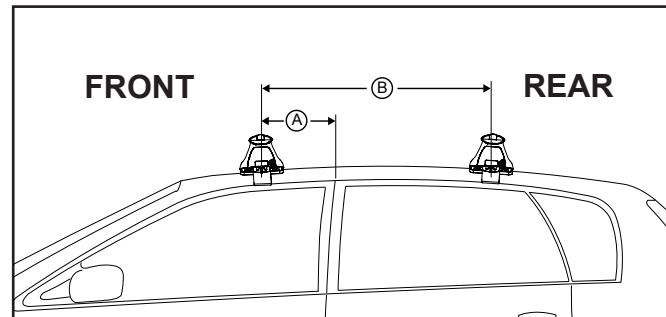
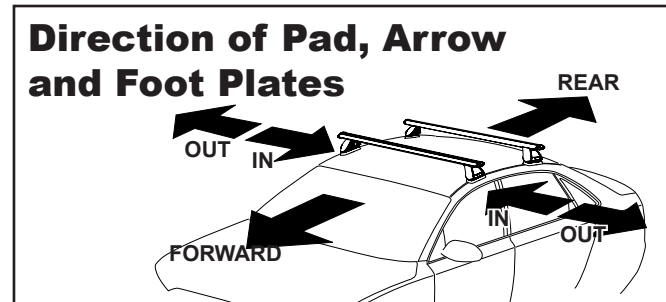
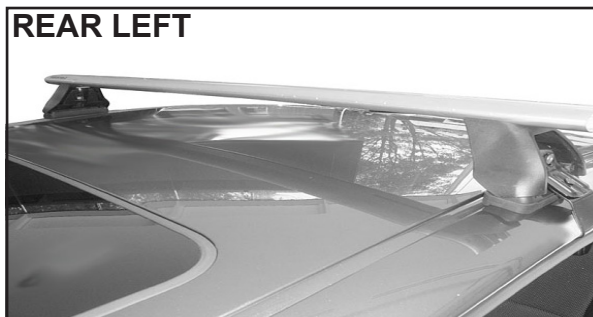
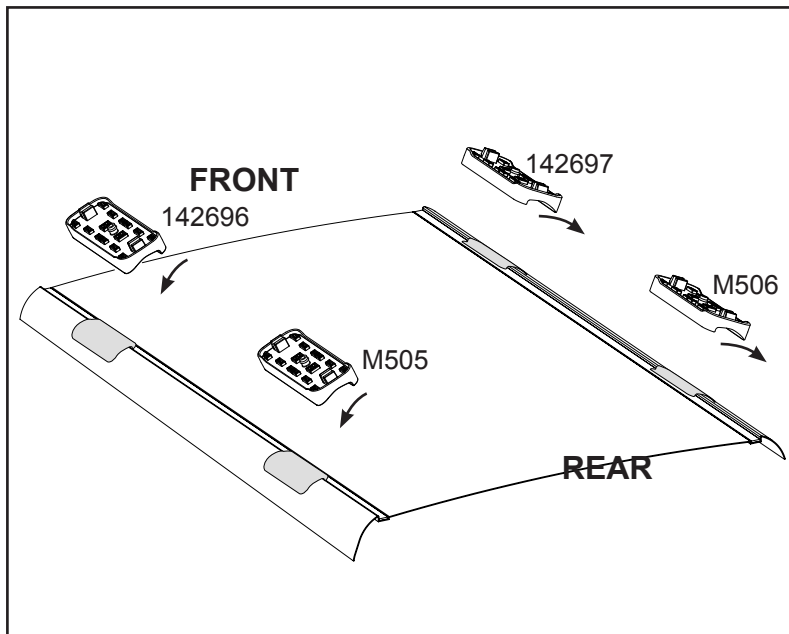
DK332 Rhino-Rack VA, Aero, Euro & HD crossbar instruction

Measurement A: CENTRE of door jamb to CENTRE arrow of leg foot plate.

Measurement B: CENTRE of Front leg foot plate arrow to CENTRE of Rear leg foot plate arrow.

Carrying capacity: Roof rack is rated to 75kg. Please refer to manufacturers handbook for your vehicles maximum roof load capacity. Always use the lower of the two figures.

If your vehicle is not listed on this fitting instruction please refer to your countries Rhino-Rack web site for the latest information.



VEHICLE	Date	Measurement A	Measurement B	Load Rating (includes racks 5kg/ 11lbs)
Lexus GS 4dr sedan	2012-	330mm / 13"	700mm / 27,9/16"	60kg / 132lbs