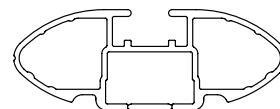
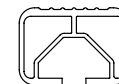




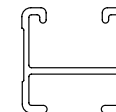
**CROSSBAR IDENTIFICATION**



**VA crossbar**



**EURO crossbar**



**HD crossbar**

Vehicle	Date	Crossbar	FRONT CROSSBAR					REAR CROSSBAR						
			Front Right Pad/Clamp	Front Left Pad/Clamp	Measurement strip length per side	Measurement strip length per side	Measurement Distance (x)	Foot plate arrow direction	Rear Right Pad/Clamp	Rear Left Pad/Clamp	Measurement strip length per side	Measurement strip length per side	Measurement Distance (x)	Foot plate arrow direction
Jaguar XF 4dr Sedan	08-15	1260mm	142625FR SUB0148	142625FL SUB0148	169mm	56mm	986mm / 38,13/16"	OUT	142625RR SUB0148	142625RL SUB0148	178mm	65mm	1004mm / 39,17/32"	IN
			Pad Arrow OUT						Pad Arrow OUT					



# Rhino Rack 2500 Series - DK302 instruction

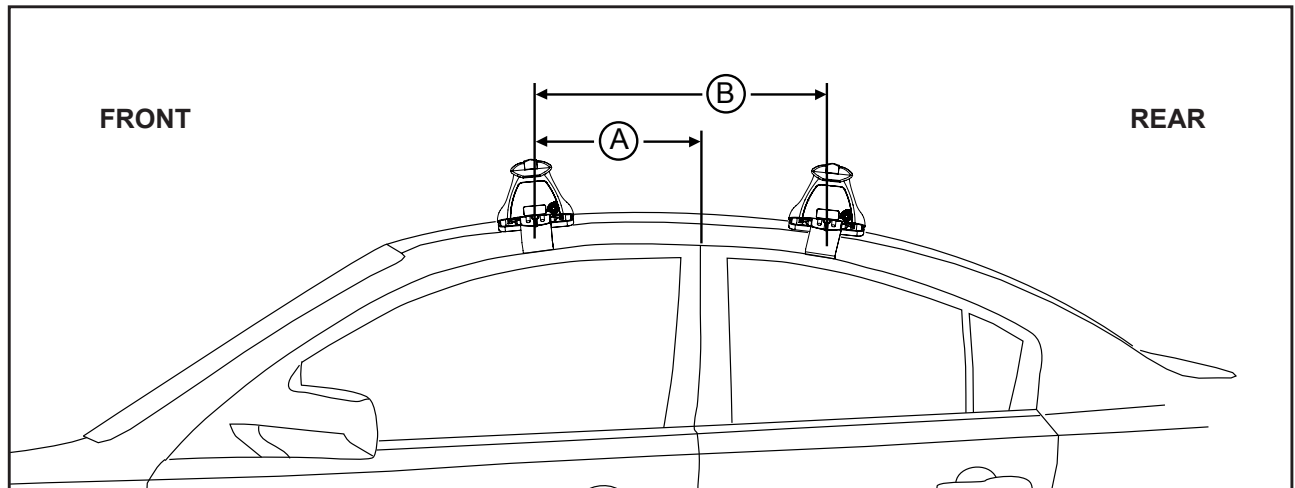
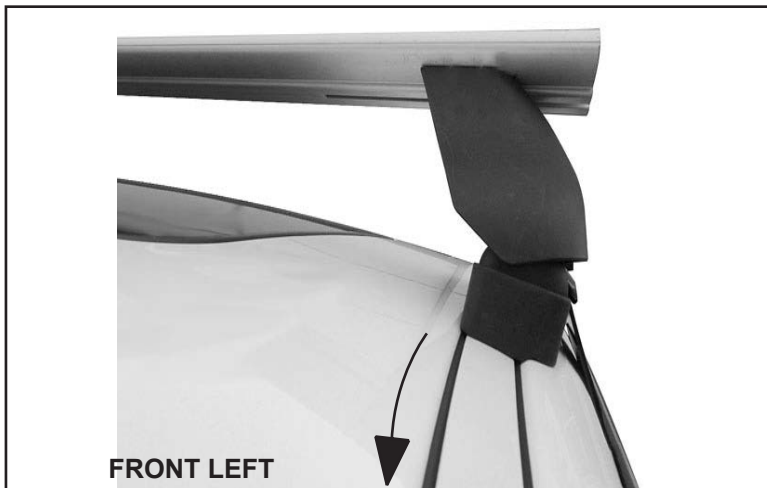
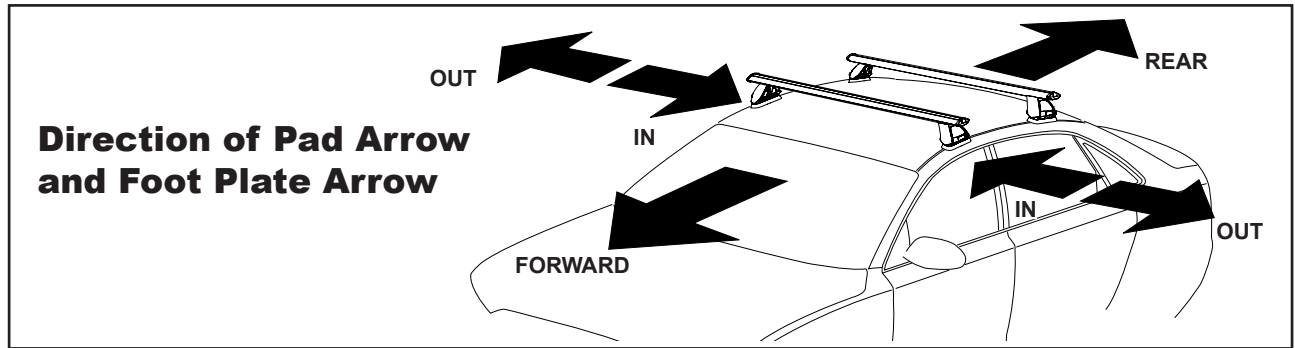
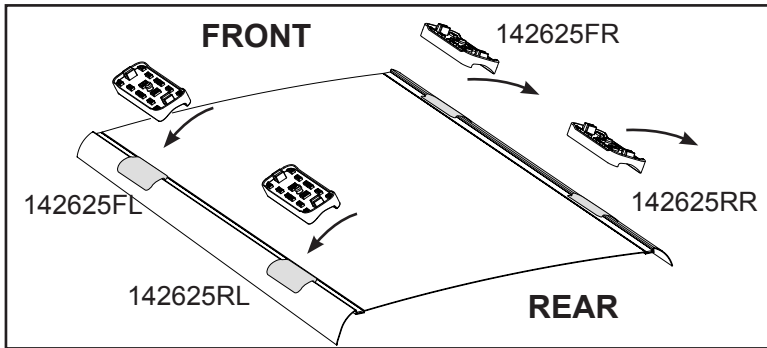
**CONTROLLED**

**Measurement A:** CENTRE of door jamb to CENTRE arrow of leg foot plate.

**Measurement B:** CENTRE of Front leg foot plate arrow to CENTRE of Rear leg foot plate arrow.

**Carrying capacity:** Roof rack is rated to 75kg. Please refer to manufacturers handbook for your vehicles maximum roof load capacity. Always use the lower of the two figures.

If your vehicle is not listed on this fitting instruction please refer to your countries Rhino-Rack web site for the latest information.



VEHICLE	Date	Measurement A	Measurement B	Load Rating (includes racks 5kg/ 11lbs)
Jaguar XF 4dr Sedan	08-15	270mm / 10,5/8"	700mm / 27,9/16"	75kg / 165lbs