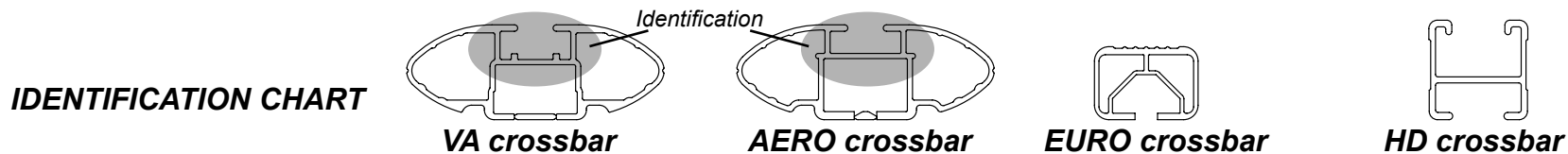




DK298 Rhino-Rack VA, Aero, Euro & HD crossbar instruction



Vehicle	Date	Crossbar	FRONT CROSSBAR					REAR CROSSBAR						
			Front Right Pad/ Clamp	Front Left Pad/ Clamp	Measurement strip length per side	Measurement strip length per side	Measurement Distance (x)	Foot plate arrow direction	Rear Right Pad/ Clamp	Rear Left Pad/ Clamp	Measurement strip length per side	Measurement strip length per side	Measurement Distance (x)	Foot plate arrow direction
Dodge Charger 4dr sedan	2011-	1260mm	142678 SUB0148	142677 SUB0148	179mm	66mm	1006mm / 39,39/64"	OUT	142677 SUB0363	142678 SUB0363	189mm	76mm	1026mm / 40,25/64"	OUT
			Arrow OUT						Arrow OUT					



DK298 Rhino-Rack VA, Aero, Euro & HD crossbar instruction

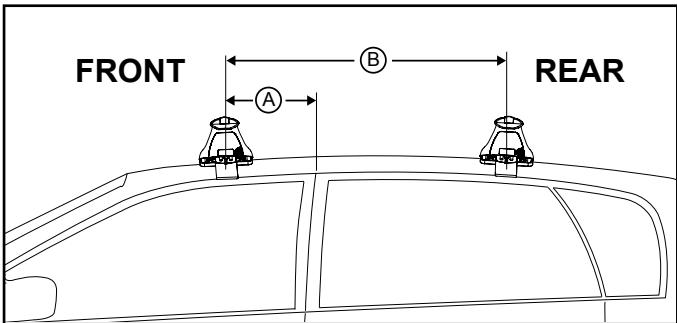
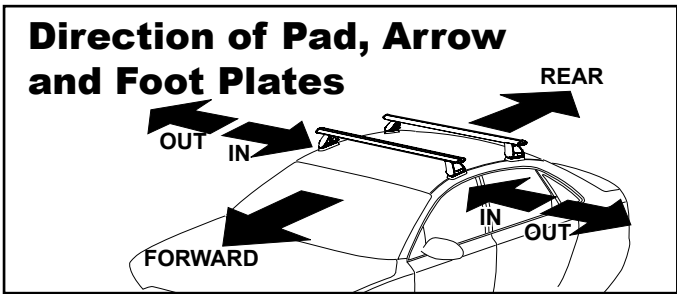
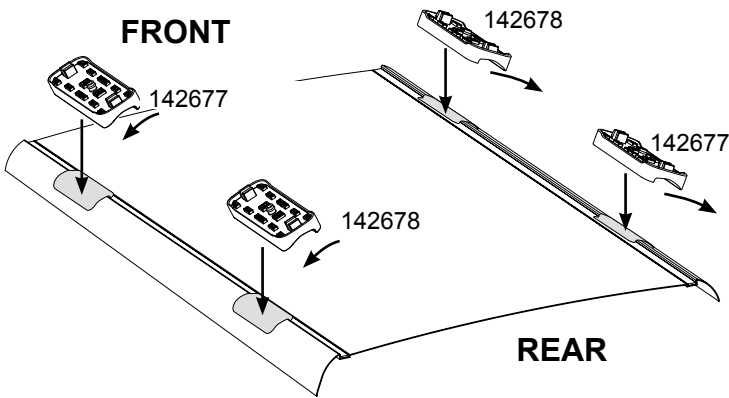
Measurement A: CENTRE of door jamb to CENTRE arrow of leg foot plate.

Measurement B: CENTRE of Front leg foot plate arrow to CENTRE of Rear leg foot plate arrow.

Carrying capacity: Roof rack is rated to 75kg. Please refer to manufacturers handbook for your vehicles maximum roof load capacity. Always use the lower of the two figures.

If your vehicle is not listed on this fitting instruction please refer to your countries Rhino-Rack web site for the latest information.

- Pad 142677 FRONT Left of vehicle Arrow OUT
- Pad 142678 FRONT Right of vehicle Arrow OUT
- Pad 142677 REAR Right of vehicle Arrow OUT
- Pad 142678 REAR Left of vehicle Arrow OUT



VEHICLE	Date	Measurement A	Measurement B	Load Rating (includes racks 5kg/ 11lbs)
Dodge Charger 4dr sedan	2011-	300mm / 11,13/16"	700mm / 27,9/16"	75kg / 165lbs