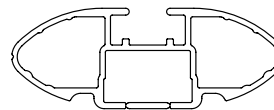
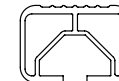




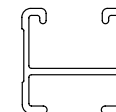
**IDENTIFICATION CHART**



**VA crossbar**



**EURO crossbar**



**HD crossbar**

Vehicle	Date	Crossbar	FRONT CROSSBAR					REAR CROSSBAR						
			Front Right Pad/ Clamp	Front Left Pad/ Clamp	Measurement strip length per side	Measurement strip length per side	Measurement Distance ( x )	Foot plate arrow direction	Rear Right Pad/ Clamp	Rear Left Pad/ Clamp	Measurement strip length per side	Measurement strip length per side	Measurement Distance ( x )	Foot plate arrow direction
Kia Optima TF 3rd Gen 4dr sedan	2011-2015	1260mm	142614 SUB0144	142613 SUB0144	196mm	83mm	1040mm / 40,15/16"	OUT	M506 SUB0144	M505 SUB0144	165mm	52mm	978mm / 38,1/2"	OUT
			Arrow OUT						Arrow OUT					



# DK283 Rhino-Rack VA, Euro & HD crossbar instruction

**CONTROLLED**

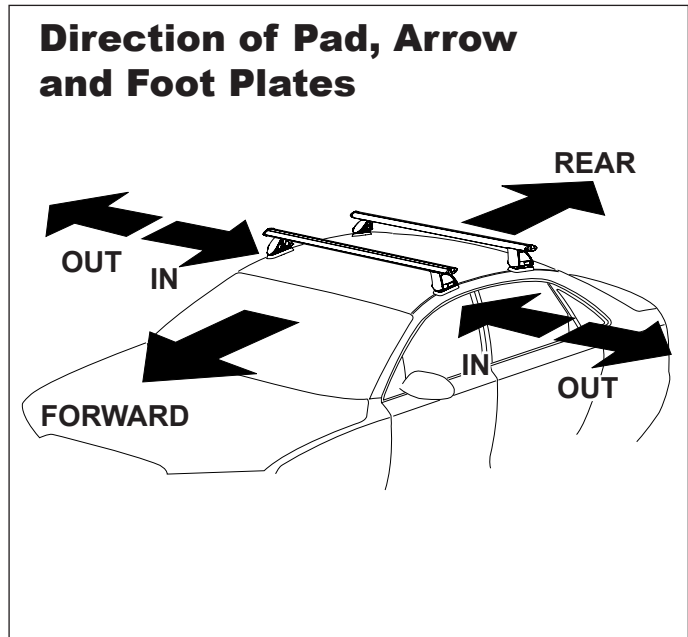
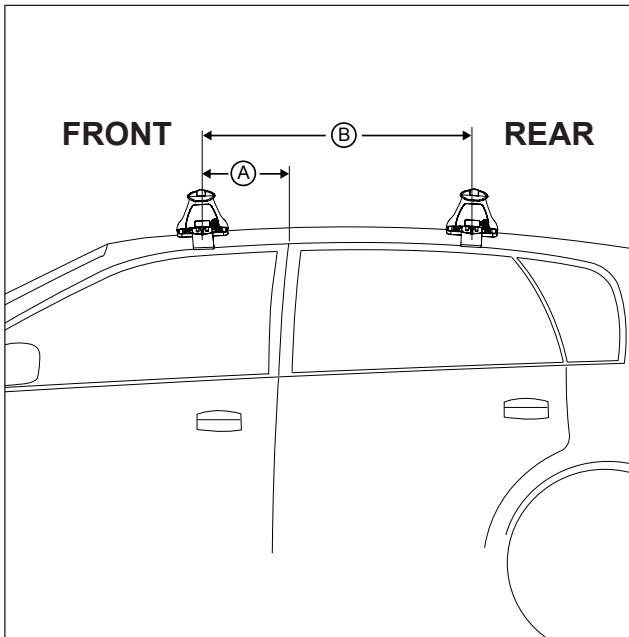
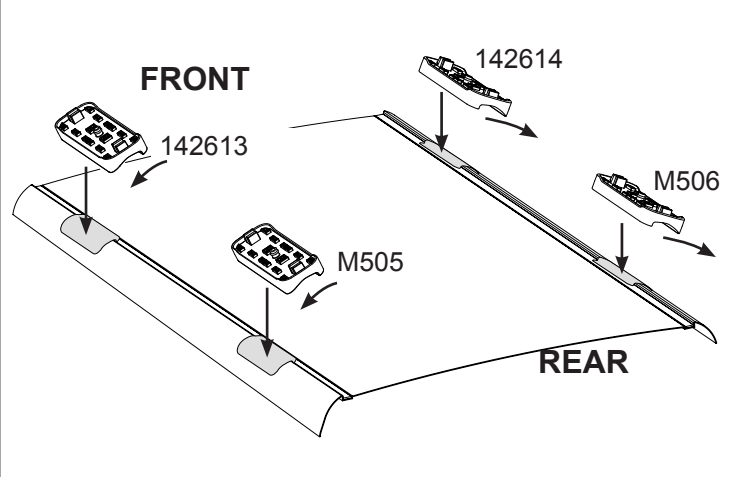
**Measurement A:** CENTRE of door jamb to CENTRE arrow of leg foot plate.

**Measurement B:** CENTRE of Front leg foot plate arrow to CENTRE of Rear leg foot plate arrow.

**Carrying capacity:** Roof rack is rated up to 75kg. Please refer to manufacturers handbook for your vehicles maximum roof load capacity. Always use the lower of the two figures.

If your vehicle is not listed on this fitting instruction please refer to your countries Rhino-Rack web site for the latest information.

Pad 142613 FRONT Left of vehicle - Arrow facing outward.  
Pad 142614 FRONT Right of vehicle - Arrow facing outward.  
Pad M506 REAR Right of vehicle - Arrow facing outward.  
Pad M505 REAR Left of vehicle - Arrow facing outward.



VEHICLE	Date	Measurement A	Measurement B	Load Rating up to (includes racks 5kg/ 11lbs)
Kia Optima TF 3rd Gen 4dr sedan	2011-2015	300mm / 11,13/16"	700mm / 27,9/16"	75kg / 165lbs