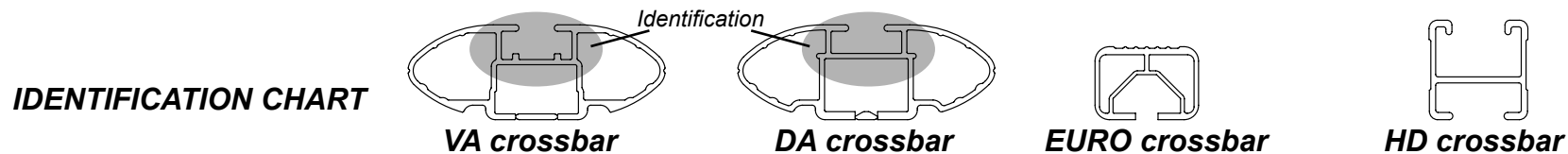




DK282 Rhino-Rack VA, DA, Euro & HD crossbar instruction



Vehicle	Date	Crossbar	FRONT CROSSBAR					REAR CROSSBAR						
			Front Right Pad/ Clamp	Front Left Pad/ Clamp	Measurement strip length per side	Measurement strip length per side	Measurement Distance (x)	Foot plate arrow direction	Rear Right Pad/ Clamp	Rear Left Pad/ Clamp	Measurement strip length per side	Measurement strip length per side	Measurement Distance (x)	Foot plate arrow direction
Hyundai i20 5dr hatch	04/10-	1180mm	M506 SUB0146	M505 SUB0146	180mm	125mm	928mm / 36,17/32"	OUT	M506 SUB0256	M505 SUB0256	168mm	113mm	904mm / 35,19/32"	IN
			Pad Arrow OUT						Pad Arrow OUT					



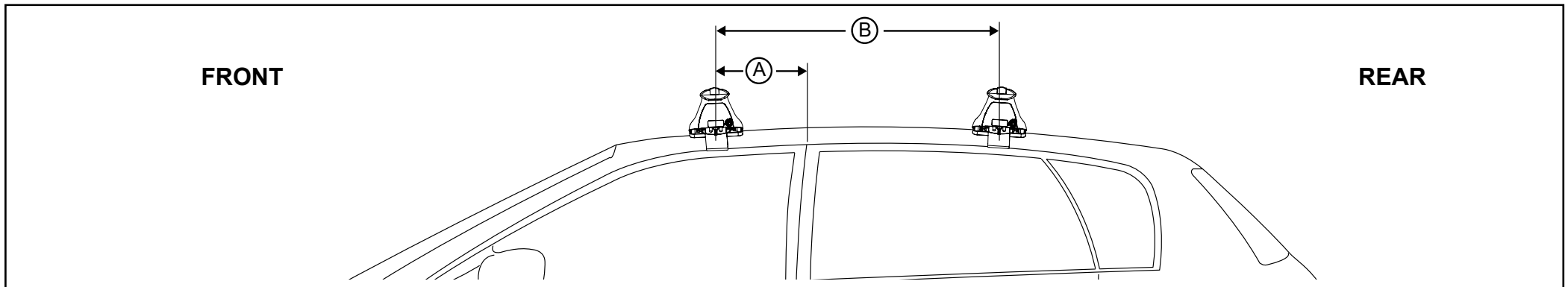
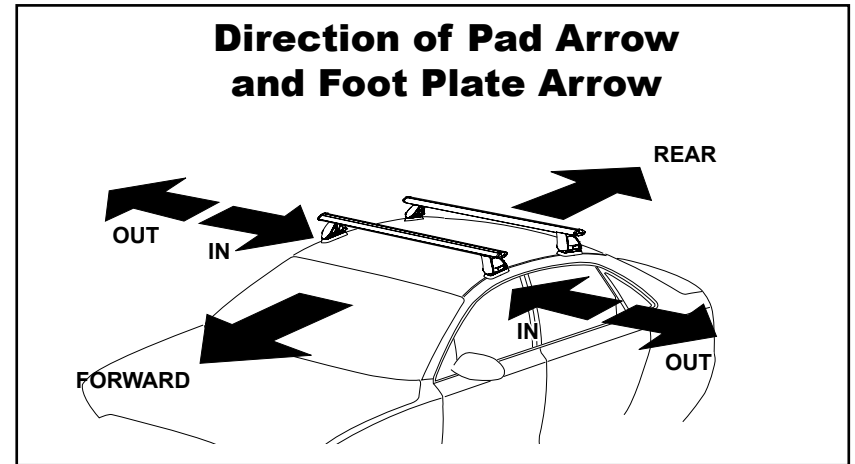
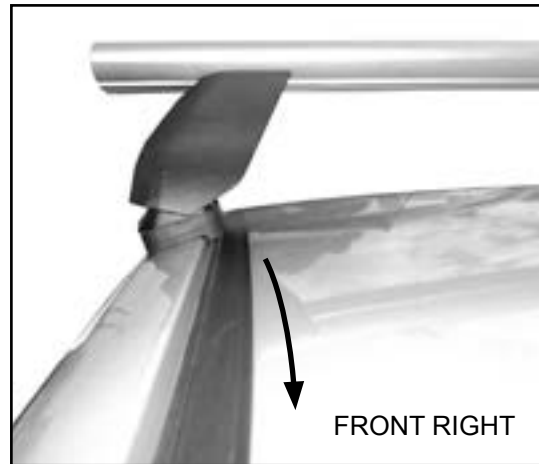
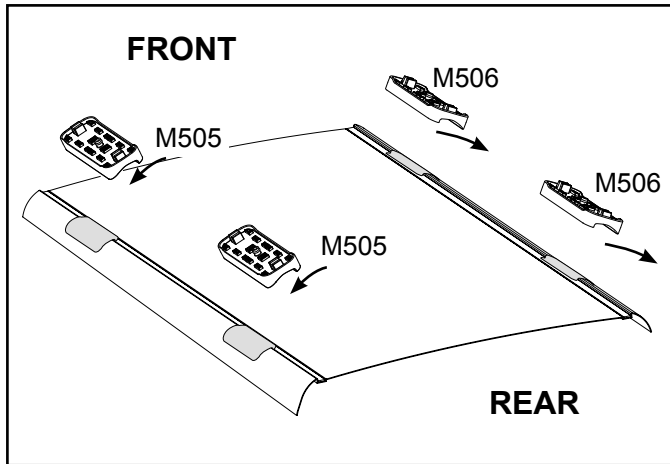
DK282 Rhino-Rack VA, DA, Euro & HD crossbar instruction

Measurement A: CENTRE of door jamb to CENTRE arrow of leg foot plate.

Measurement B: CENTRE of Front leg foot plate arrow to CENTRE of Rear leg foot plate arrow.

Carrying capacity: Roof rack is rated to 75kg. Please refer to manufacturers handbook for your vehicles maximum roof load capacity. Always use the lower of the two figures.

If your vehicle is not listed on this fitting instruction please refer to your countries Rhino-Rack web site for the latest information.



VEHICLE	Date	Measurement A	Measurement B	Load Rating (includes racks 5kg/11lbs)
Hyundai i20 5dr hatch	04/10-	130mm / 5,1/8"	700mm / 27,9/16"	70kg / 154lbs