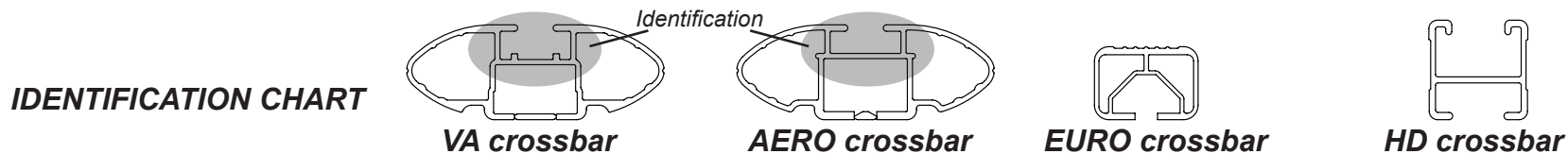




DK263 Rhino-Rack VA, Aero, Euro & HD crossbar instruction



Vehicle	Date	Crossbar	FRONT CROSSBAR					REAR CROSSBAR						
			Front Right Pad/ Clamp	Front Left Pad/ Clamp	Measurement strip length per side	Measurement strip length per side	Measurement Distance (x)	Foot plate arrow direction	Rear Right Pad/ Clamp	Rear Left Pad/ Clamp	Measurement strip length per side	Measurement strip length per side	Measurement Distance (x)	Foot plate arrow direction
Nissan Cube 3rd Gen 5dr MPV	2009 on	1375mm	M368 SUB0368	M368 SUB0368	215mm	160mm	1193mm / 46,31/32"	OUT	M368 SUB0368	M368 SUB0368	202mm	147mm	1167mm / 45,15/16"	OUT
			Arrow OUT						Arrow OUT					



DK263 Rhino-Rack VA, Aero, Euro & HD crossbar instruction

Measurement A: CENTRE of door jamb to CENTRE arrow of leg foot plate.

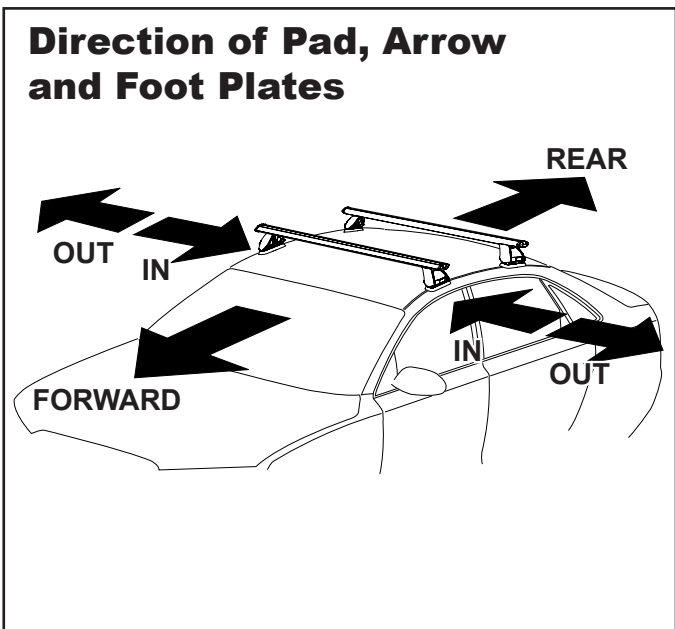
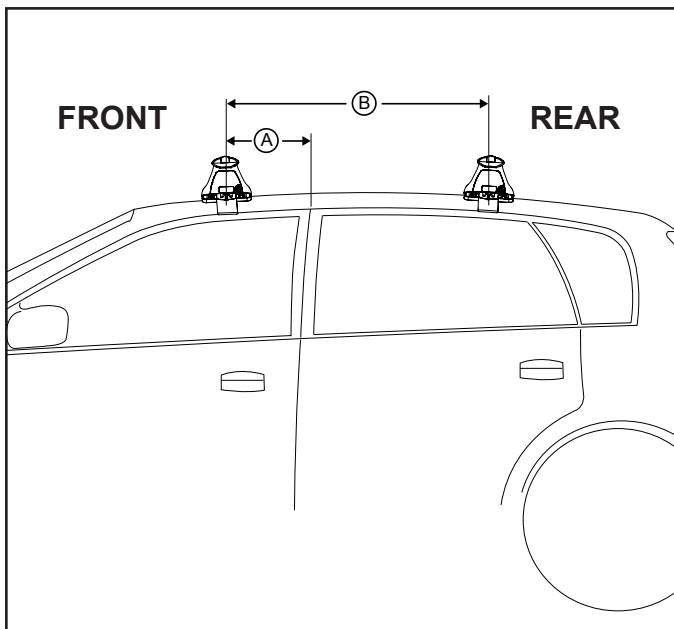
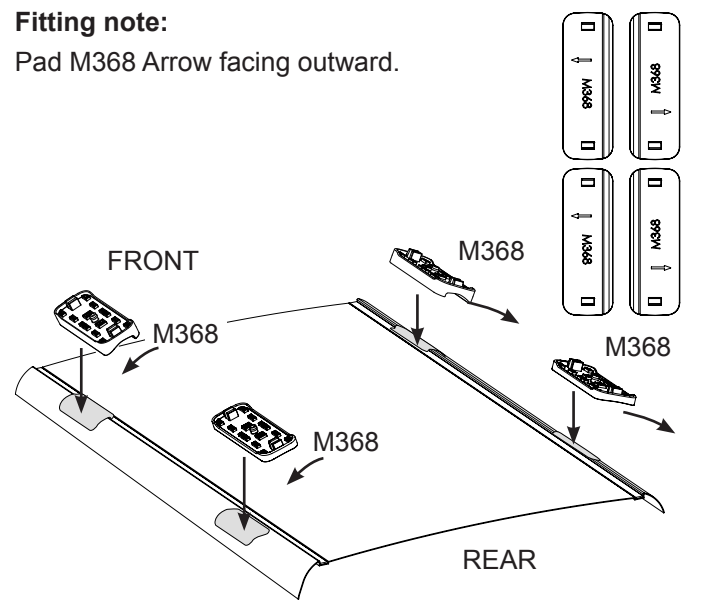
Measurement B: CENTRE of Front leg foot plate arrow to CENTRE of Rear leg foot plate arrow.

Carrying capacity: Roof rack is rated to 75kg. Please refer to manufacturers handbook for your vehicles maximum roof load capacity. Always use the lower of the two figures.

If your vehicle is not listed on this fitting instruction please refer to your countries Rhino-Rack web site for the latest information.

Fitting note:

Pad M368 Arrow facing outward.



VEHICLE	Date	Measurement A	Measurement B	Load Rating (includes racks 5kg/ 11lbs)
Nissan Cube 3rd Gen 5dr MPV	2009 on	250mm / 9,27/32"	800mm / 31,1/2"	40kg / 88lbs