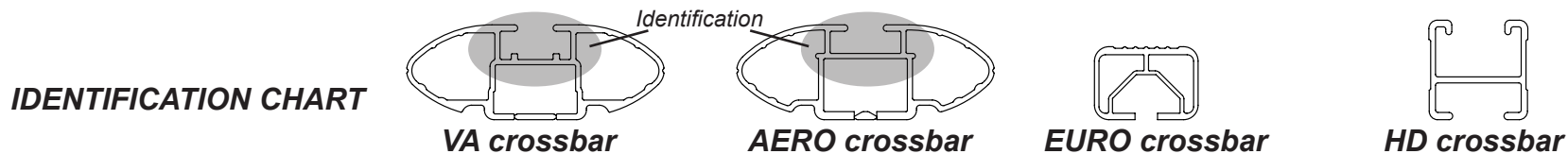




DK240 Rhino-Rack VA, Aero, Euro & HD crossbar instruction



Vehicle	Date	Crossbar	FRONT CROSSBAR					REAR CROSSBAR						
			Front Right Pad/ Clamp	Front Left Pad/ Clamp	Measurement strip length per side	Measurement strip length per side	Measurement Distance (x)	Foot plate arrow direction	Rear Right Pad/ Clamp	Rear Left Pad/ Clamp	Measurement strip length per side	Measurement strip length per side	Measurement Distance (x)	Foot plate arrow direction
Lexus LS 4dr sedan	2007 on	1260mm	M366 SUB0370	M366 SUB0370	184mm	71mm	1016mm / 40"	OUT	M366 SUB0381	M366 SUB0381	205mm	92mm	1058mm / 41,21/32"	OUT
			Arrow FORWARD						Arrow FORWARD					



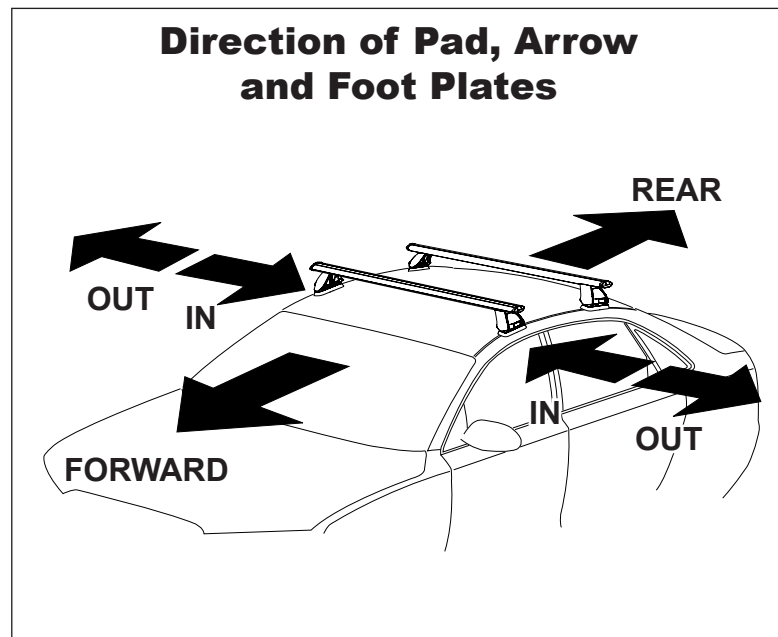
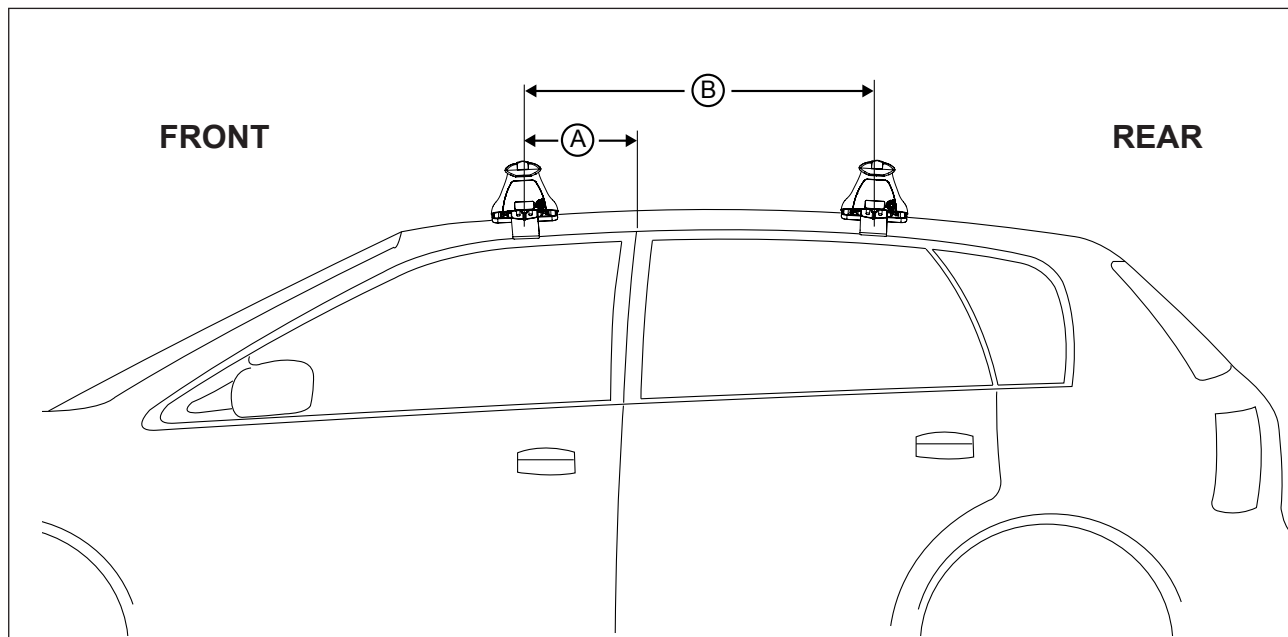
DK240 Rhino-Rack VA, Aero, Euro & HD crossbar instruction

Measurement A: CENTRE of door jamb to CENTRE arrow of leg foot plate.

Measurement B: CENTRE of Front leg foot plate arrow to CENTRE of Rear leg foot plate arrow.

Carrying capacity: Roof rack is rated to 75kg. Please refer to manufacturers handbook for your vehicles maximum roof load capacity. Always use the lower of the two figures.

If your vehicle is not listed on this fitting instruction please refer to your countries Rhino-Rack web site for the latest information.



VEHICLE	Date	Measurement A	Measurement B	Load Rating (includes racks 5kg/ 11lbs)
Lexus LS 4dr sedan	2007 on	160mm / 6,19/64"	700mm / 27,9/16"	60kg / 132lbs