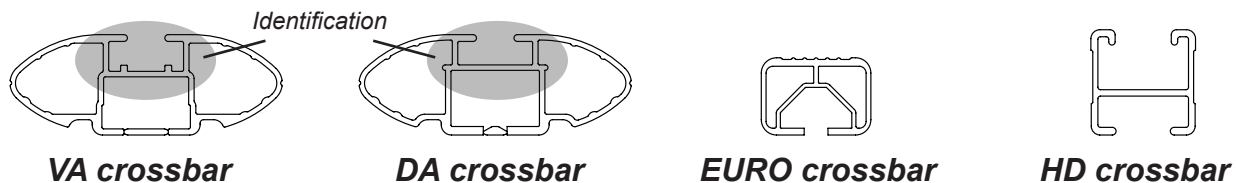




IDENTIFICATION CHART



Vehicle	Date	Crossbar	FRONT CROSSBAR					REAR CROSSBAR						
			Front Right Pad/Clamp	Front Left Pad/Clamp	Measurement strip length per side	Measurement strip length per side	Measurement Distance (x)	Foot plate arrow direction	Rear Right Pad/Clamp	Rear Left Pad/Clamp	Measurement strip length per side	Measurement strip length per side	Measurement Distance (x)	Foot plate arrow direction
Volvo C30 3dr hatch	06-13	1260mm	M296 SUB0196	M295 SUB0196	171mm	58m	990mm / 38,31/32"	OUT	M366 SUB0174	M366 SUB0174	137mm	24mm	922mm / 36,19/64"	OUT
			Pad Arrow Forward						Pad Arrow Forward					



Rhino Rack 2500 Series - DK206 instruction

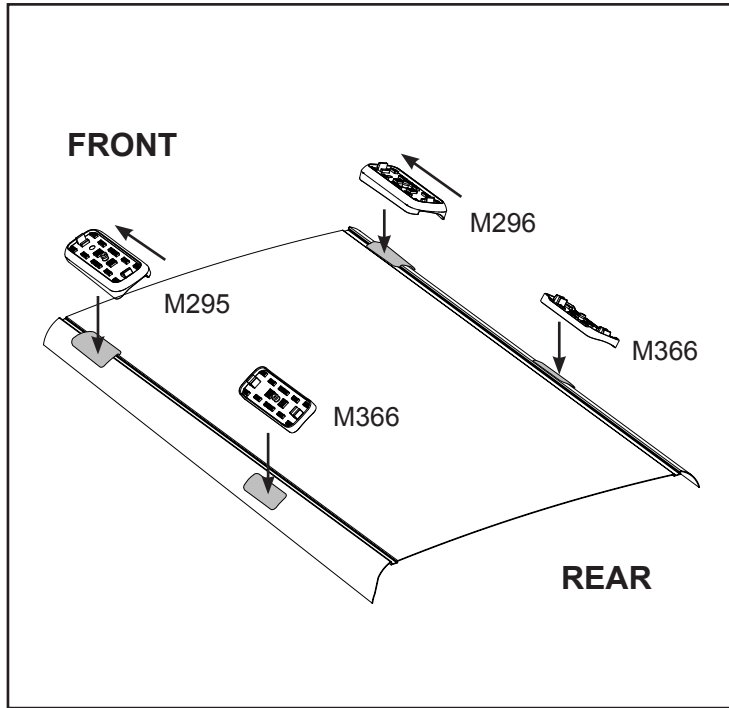
CONTROLLED

Measurement A: CENTRE of door jamb to CENTRE arrow of leg foot plate.

Measurement B: CENTRE of Front leg foot plate arrow to CENTRE of Rear leg foot plate arrow.


Carrying capacity: Roof rack is rated to 75kg. Please refer to manufacturers handbook for your vehicles maximum roof load capacity. Always use the lower of the two figures.

If your vehicle is not listed on this fitting instruction please refer to your countries Rhino-Rack web site for the latest information.

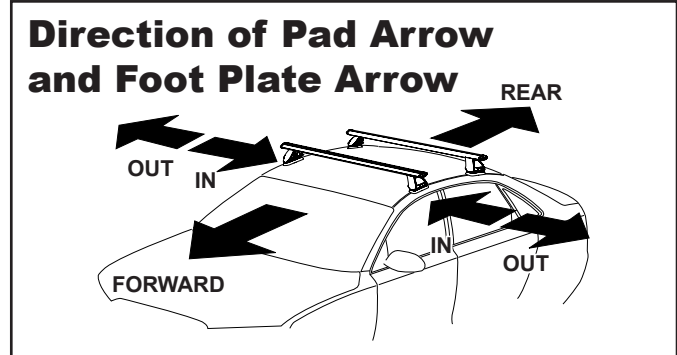


Rear clamp:
Use the clamp location area in the rubber window seal.

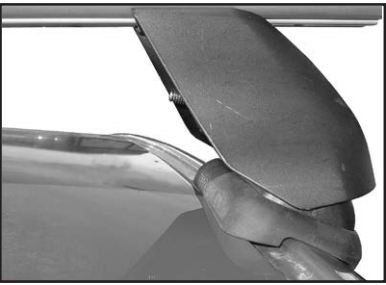
NOTE: Hold the rear clamp firmly against the vehicle body while tensioning.



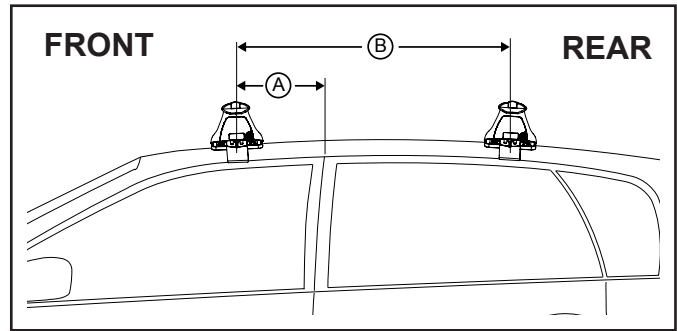
Rear Left shown.



Front pads:
Front left. M295 pad shown with underside arrow facing forward.



Front. Left side shown.



VEHICLE	Date	Measurement A	Measurement B	Load Rating (includes racks 5kg/ 11lbs)
Volvo C30 3dr hatch	06-13	360mm / 14,11/64"	630mm / 24,13/16"	60kg / 132lbs