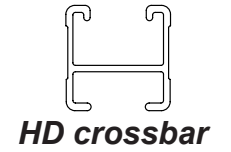
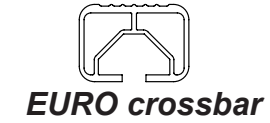
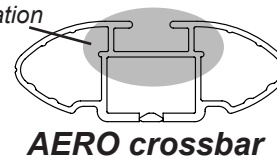
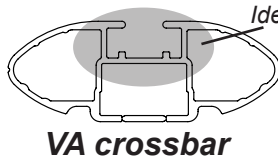




# DK199 Rhino-Rack VA, Aero, Euro & HD crossbar instruction

## IDENTIFICATION CHART



### FRONT CROSSBAR

### REAR CROSSBAR

| Vehicle                    | Date  | Crossbar | FRONT CROSSBAR         |                       |                                   |                                   |                            | REAR CROSSBAR              |                       |                      |                                   |                                   |                            |                            |
|----------------------------|-------|----------|------------------------|-----------------------|-----------------------------------|-----------------------------------|----------------------------|----------------------------|-----------------------|----------------------|-----------------------------------|-----------------------------------|----------------------------|----------------------------|
|                            |       |          | Front Right Pad/ Clamp | Front Left Pad/ Clamp | Measurement strip length per side | Measurement strip length per side | Measurement Distance ( x ) | Foot plate arrow direction | Rear Right Pad/ Clamp | Rear Left Pad/ Clamp | Measurement strip length per side | Measurement strip length per side | Measurement Distance ( x ) | Foot plate arrow direction |
| Chrysler Sebring 4dr Sedan | 07-10 | 1260mm   | M367 SUB0151           |                       | 186mm                             | 73mm                              | 1020mm / 40,5/32"          | OUT                        | M367 SUB0257          |                      | 175mm                             | 62mm                              | 998mm / 39,19/64"          | OUT                        |
|                            |       |          | Arrow FORWARD          |                       |                                   |                                   |                            |                            | Arrow FORWARD         |                      |                                   |                                   |                            |                            |
|                            |       |          |                        |                       |                                   |                                   |                            |                            |                       |                      |                                   |                                   |                            |                            |
|                            |       |          |                        |                       |                                   |                                   |                            |                            |                       |                      |                                   |                                   |                            |                            |
|                            |       |          |                        |                       |                                   |                                   |                            |                            |                       |                      |                                   |                                   |                            |                            |
|                            |       |          |                        |                       |                                   |                                   |                            |                            |                       |                      |                                   |                                   |                            |                            |



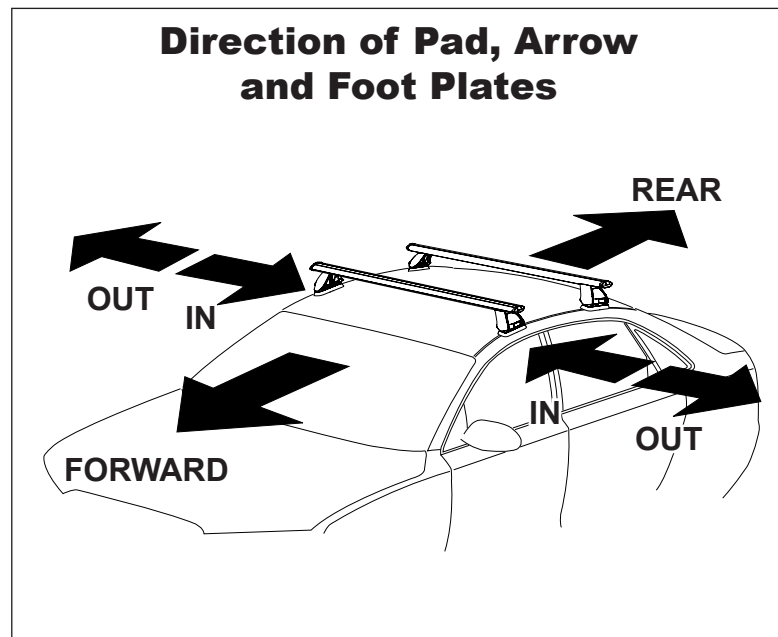
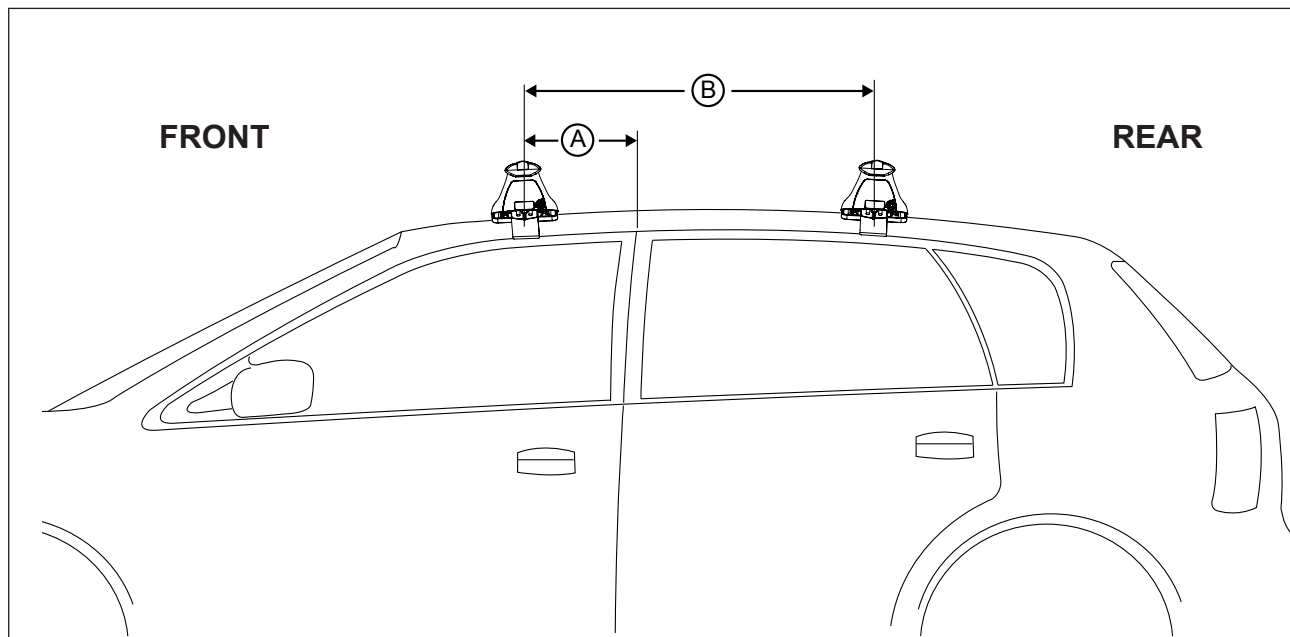
# DK199 Rhino-Rack VA, Aero, Euro & HD crossbar instruction

**Measurement A:** CENTRE of door jamb to CENTRE arrow of leg foot plate.

**Measurement B:** CENTRE of Front leg foot plate arrow to CENTRE of Rear leg foot plate arrow.

**Carrying capacity:** Roof rack is rated to 75kg. Please refer to manufacturers handbook for your vehicles maximum roof load capacity. Always use the lower of the two figures.

If your vehicle is not listed on this fitting instruction please refer to your countries Rhino-Rack web site for the latest information.



| VEHICLE                    | Date    | Measurement A     | Measurement B    | Load Rating (includes racks 5kg/11lbs) |
|----------------------------|---------|-------------------|------------------|--|
| Chrysler Sebring 4dr Sedan | 07 - 10 | 300mm / 11,13/16" | 700mm / 27,9/16" | 75kg / 165lbs                          |
|                            |         |                   |                  |  |
|                            |         |                   |                  |  |
|                            |         |                   |                  |  |
|                            |         |                   |                  |  |