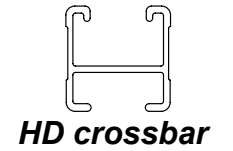
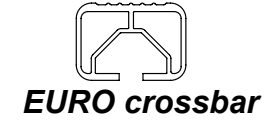
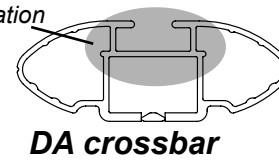
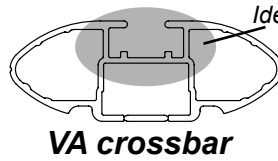




**IDENTIFICATION CHART**



Vehicle	Date	Crossbar	FRONT CROSSBAR					REAR CROSSBAR					
			Front Right Pad/ Clamp	Front Left Pad/ Clamp	Measurement strip length per side	Measurement strip length per side	Measurement Distance ( x )	Foot plate arrow direction	Rear Right Pad/ Clamp	Rear Left Pad/ Clamp	Measurement strip length per side	Measurement strip length per side	Measurement Distance ( x )
Subaru Liberty Exiga BM 4dr wagon	09/09-12/14	1260mm	M415 SUB0196	M414 SUB0196	183mm	70mm	1014mm / 39,59/64"	OUT	M416 SUB0196	165mm	52mm	978mm / 38,1/2"	OUT
			Pad Arrow OUT						Pad Arrow OUT				



# DK194 Rhino-Rack VA, DA, Euro & HD crossbar instruction

**CONTROLLED**

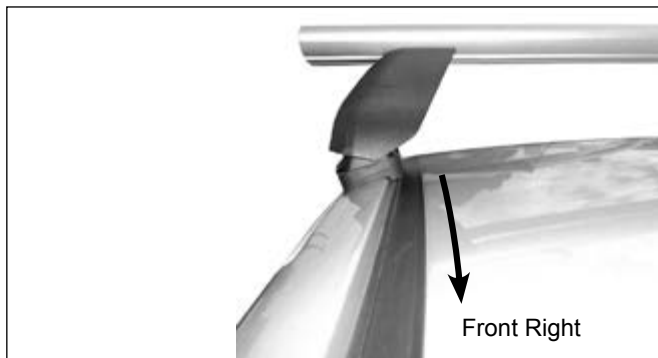
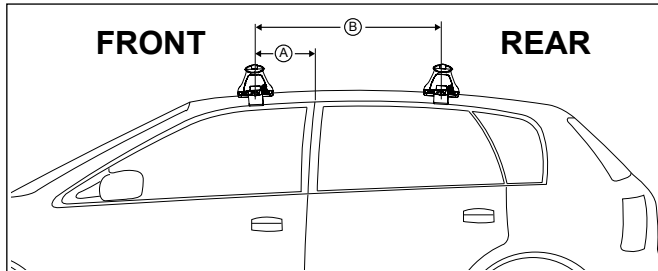
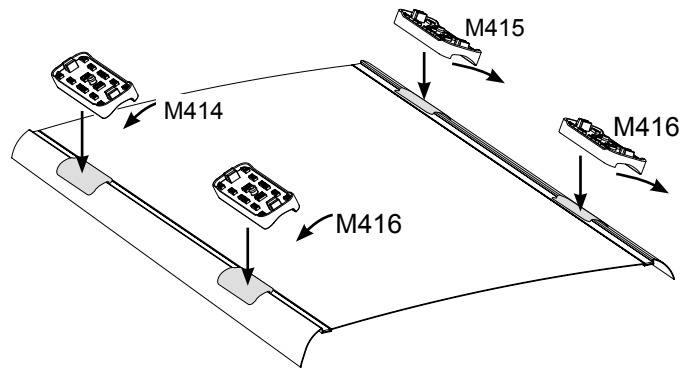
**Measurement A:** CENTRE of door jamb to CENTRE arrow of leg foot plate.

**Measurement B:** CENTRE of Front leg foot plate arrow to CENTRE of Rear leg foot plate arrow.

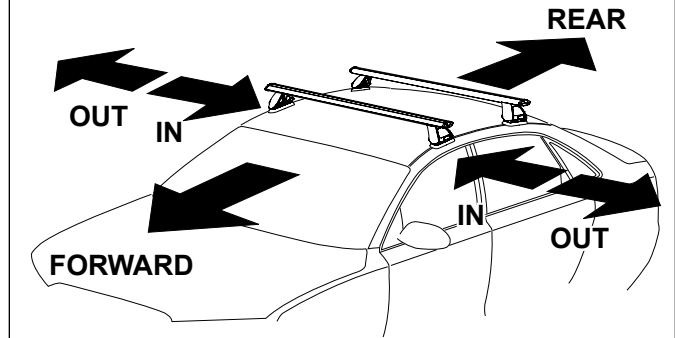
**Carrying capacity:** Roof rack is rated to 75kg. Please refer to manufacturers handbook for your vehicles maximum roof load capacity. Always use the lower of the two figures.

If your vehicle is not listed on this fitting instruction please refer to your countries Rhino-Rack web site for the latest information.

- Pad M4164 FRONT Left of vehicle, Arrow facing outward
- Pad M415 FRONT Right of vehicle, Arrow facing outward
- Pad M416 REAR Right of vehicle, Arrow facing outward
- Pad M416 REAR Left of vehicle, Arrow facing outward



## Direction of Pad Arrow and Foot Plate Arrow



VEHICLE	Date	Measurement A	Measurement B	Load Rating (includes racks 5kg/ 11lbs)
Subaru Liberty Exiga BM 4dr wagon	09/09-12/14	170mm / 6,11/16"	750mm / 29,17/32"	75kg / 165lbs