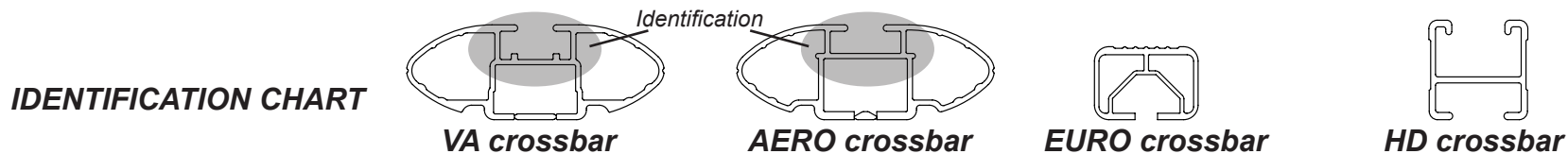




# DK192 Rhino-Rack VA, Aero, Euro & HD crossbar instruction



Vehicle	Date	Crossbar	FRONT CROSSBAR					REAR CROSSBAR						
			Front Right Pad/ Clamp	Front Left Pad/ Clamp	Measurement strip length per side	Measurement strip length per side	Measurement Distance ( x )	Foot plate arrow direction	Rear Right Pad/ Clamp	Rear Left Pad/ Clamp	Measurement strip length per side	Measurement strip length per side	Measurement Distance ( x )	Foot plate arrow direction
Acura TL 4dr Sedan	06/2009 on	1260mm	M366 SUB0256		178mm	65mm	1004mm / 39,17/32"	OUT	M366 SUB0152		191mm	78mm	1030mm / 40,35/64"	IN
			Arrow FORWARD						Arrow FORWARD					



# DK192 Rhino-Rack VA, Aero, Euro & HD crossbar instruction

**Measurement A:** CENTRE of door jamb to CENTRE arrow of leg foot plate.

**Measurement B:** CENTRE of Front leg foot plate arrow to CENTRE of Rear leg foot plate arrow.

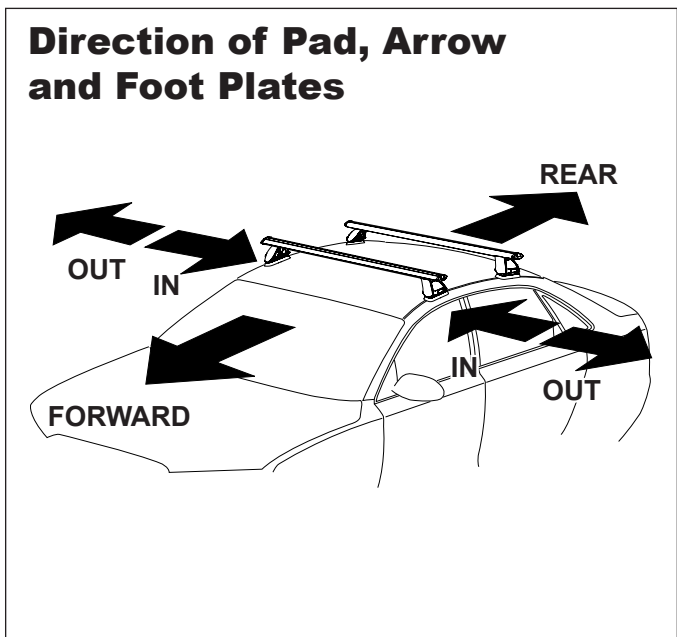
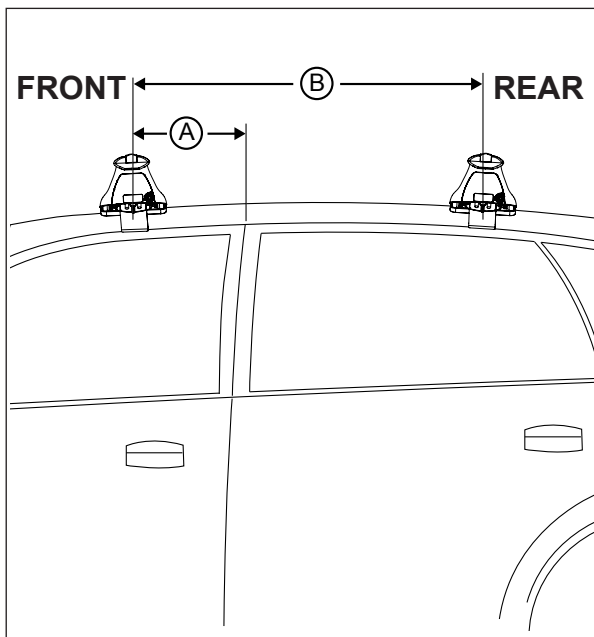
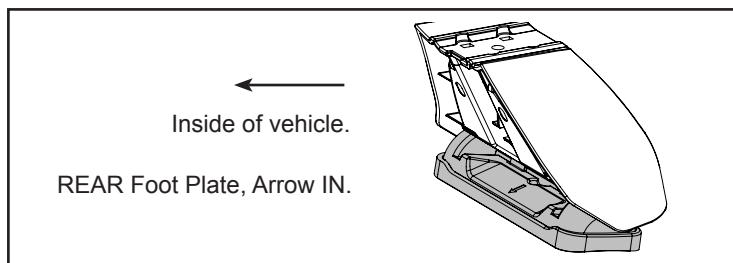
**Carrying capacity:** Roof rack is rated to 75kg. Please refer to manufacturers handbook for your vehicles maximum roof load capacity. Always use the lower of the two figures.

If your vehicle is not listed on this fitting instruction please refer to your countries Rhino-Rack web site for the latest information.

**\*NOTE for Acura TL.**

FRONT - Foot Plate Arrow faces OUT.

REAR - Foot Plate Arrow faces IN.



VEHICLE	Date	Measurement A	Measurement B	Load Rating (includes racks 5kg/ 11lbs)
Acura TL 4dr Sedan	06/2009E on	230mm / 9,1/16"	650mm / 25,19/32"	50kg / 110lbs