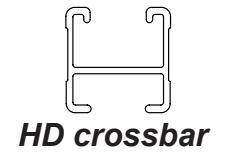
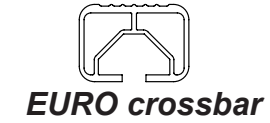
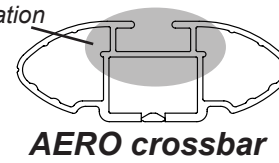
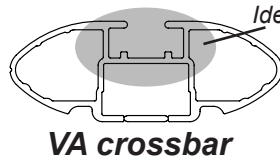




# DK189 Rhino-Rack VA, Aero, Euro & HD crossbar instruction

## IDENTIFICATION CHART



Vehicle	Date	Crossbar	FRONT CROSSBAR					REAR CROSSBAR						
			Front Right Pad/ Clamp	Front Left Pad/ Clamp	Measurement strip length per side	Measurement strip length per side	Measurement Distance ( x )	Foot plate arrow direction	Rear Right Pad/ Clamp	Rear Left Pad/ Clamp	Measurement strip length per side	Measurement strip length per side	Measurement Distance ( x )	Foot plate arrow direction
Ford F250 Super Cab pickup	2008 on	1500mm / 59,1/16"			175mm	120mm	1238mm / 48,47/64"	OUT			177mm	122mm	1242mm / 48,57/64"	OUT
			M365 SUB0258						M367 SUB0258					
Ford F350 Super Cab pickup	2008 on	1500mm / 59,1/16"	Arrow FORWARD		175mm	120mm	1238mm / 48,47/64"	OUT	Arrow FORWARD		177mm	122mm	1242mm / 48,57/64"	OUT
			M365 SUB0258						M367 SUB0258					



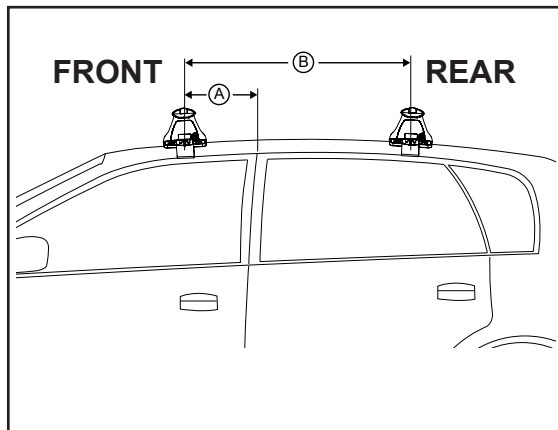
# DK189 Rhino-Rack VA, Aero, Euro & HD crossbar instruction

**Measurement A:** CENTRE of door jamb to CENTRE arrow of leg foot plate.

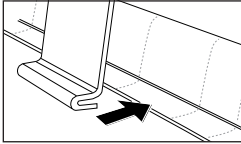

**Measurement B:** CENTRE of Front leg foot plate arrow to CENTRE of Rear leg foot plate arrow.

**Carrying capacity:** Roof rack is rated to 75kg. Please refer to manufacturers handbook for your vehicles maximum roof load capacity. Always use the lower of the two figures.

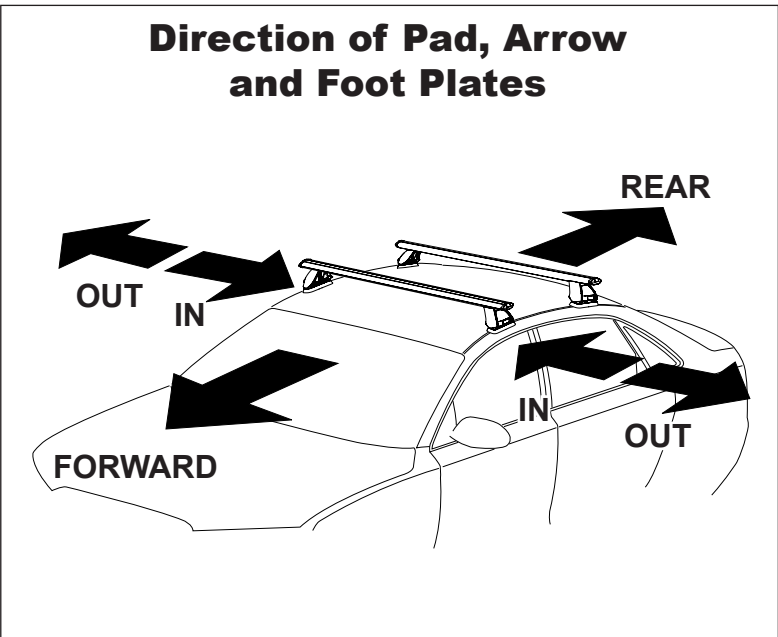
If your vehicle is not listed on this fitting instruction please refer to your countries Rhino-Rack web site for the latest information.



\* Open doors. Pull rubber door seal back. Fit clamp.

\* After cross bars and clamp are correctly fitted re-fit the rubber door seal.

VEHICLE	Date	Measurement A	Measurement B	Load Rating (includes racks 5kg/ 11lbs)
Ford F250 Super Cab pickup*	2008 on	420mm / 16,17/32"	800mm / 31,1/2"	75kg / 165lbs
Ford F350 Super Cab pickup*	2008 on	420mm / 16,17/32"	800mm / 31,1/2"	75kg / 165lbs