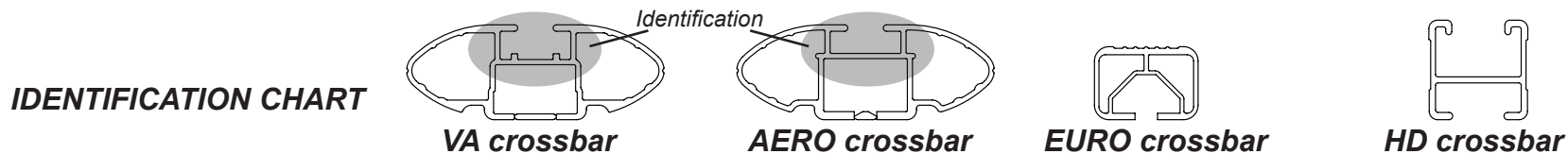




DK185 Rhino-Rack VA, Aero, Euro & HD crossbar instruction



Vehicle	Date	Crossbar	FRONT CROSSBAR					REAR CROSSBAR				
			Front Right Pad/ Clamp	Front Left Pad/ Clamp	Measurement strip length per side	Measurement strip length per side	Measurement Distance (x)	Foot plate arrow direction	Rear Right Pad/ Clamp	Rear Left Pad/ Clamp	Measurement strip length per side	Measurement strip length per side
Pontiac Vibe 5dr hatch	2008-2010	1260mm	M366 SUB0151	158mm	45mm	964mm / 37,61/64"	OUT	M366 SUB0257	167mm	54mm	982mm / 38,21/32"	OUT
			Arrow FORWARD					Arrow FORWARD				
Toyota Matrix 5dr hatch	2009-	1260mm	M366 SUB0151	158mm	45mm	964mm / 37,61/64"	OUT	M366 SUB0257	167mm	54mm	982mm / 38,21/32"	OUT
			Arrow FORWARD					Arrow FORWARD				



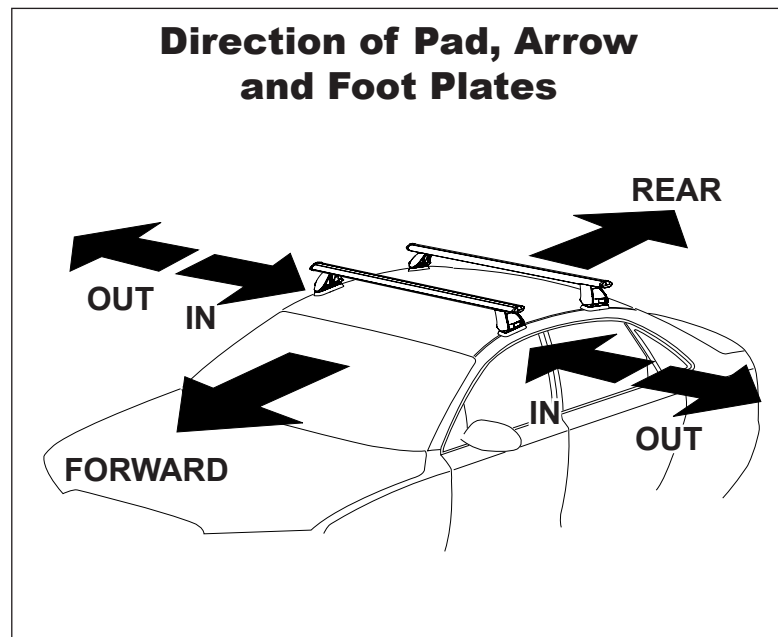
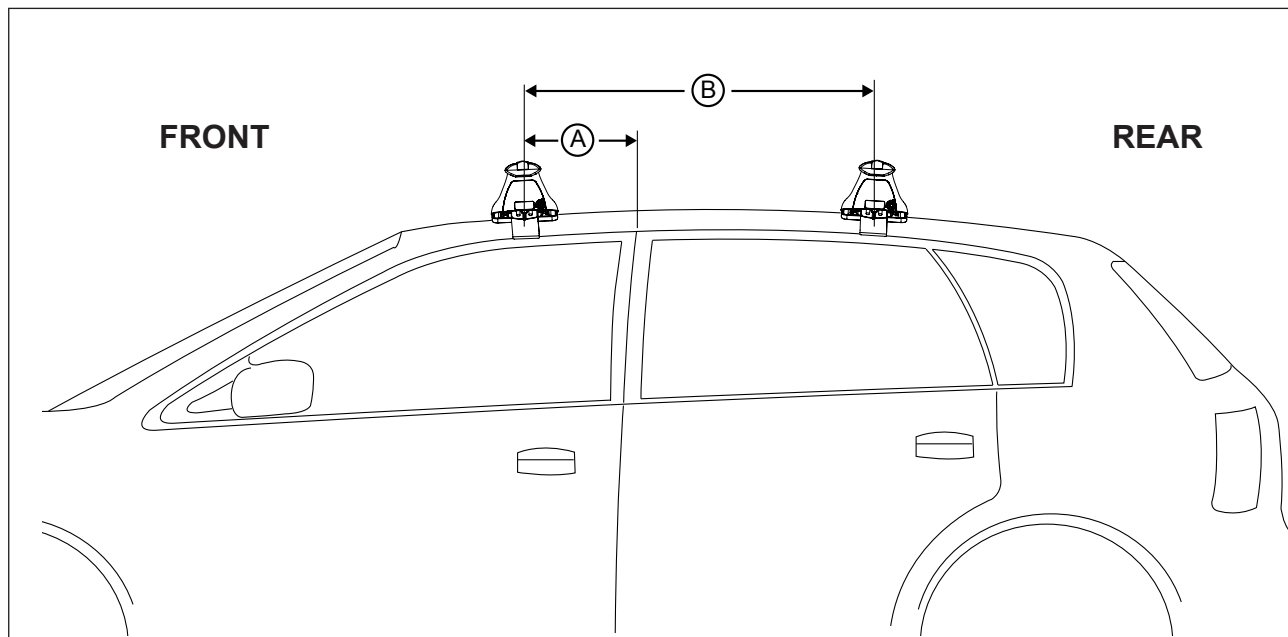
DK185 Rhino-Rack VA, Aero, Euro & HD crossbar instruction

Measurement A: CENTRE of door jamb to CENTRE arrow of leg foot plate.

Measurement B: CENTRE of Front leg foot plate arrow to CENTRE of Rear leg foot plate arrow.

Carrying capacity: Roof rack is rated to 75kg. Please refer to manufacturers handbook for your vehicles maximum roof load capacity. Always use the lower of the two figures.

If your vehicle is not listed on this fitting instruction please refer to your countries Rhino-Rack web site for the latest information.



VEHICLE	Date	Measurement A	Measurement B	Load Rating (includes racks 5kg/ 11lbs)
Pontiac Vibe 5dr hatch	2008-2010	150mm / 5,29/32"	700mm / 27,9/16"	60kg / 132lbs
Toyota Matrix 5dr hatch	2009-	150mm / 5,29/32"	700mm / 27,9/16"	60kg / 132lbs