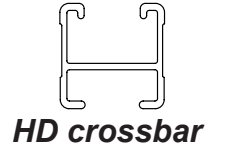
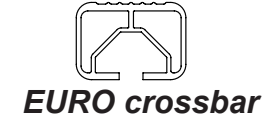
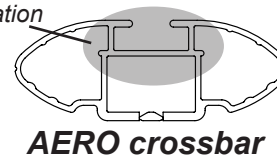
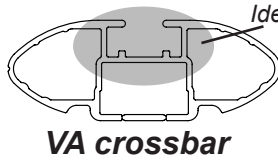




DK175 Rhino-Rack VA, Aero, Euro & HD crossbar instruction

IDENTIFICATION CHART



Vehicle	Date	Crossbar	FRONT CROSSBAR					REAR CROSSBAR				
			Front Right Pad/ Clamp	Front Left Pad/ Clamp	Measurement strip length per side	Measurement strip length per side	Measurement Distance (x)	Foot plate arrow direction	Rear Right Pad/ Clamp	Rear Left Pad/ Clamp	Measurement strip length per side	Measurement strip length per side
Acura TSX 4dr Sedan	2009-	1260mm	M366 SUB0146	209mm	96mm	1066mm / 41,31/32"	OUT	M366 SUB0152	177mm	64mm	1002mm / 39,29/64"	OUT
			Arrow FORWARD					Arrow FORWARD				
Honda Accord Euro 4dr sedan	06/08-	1260mm	M366 SUB0146	209mm	96mm	1066mm / 41,31/32"	OUT	M366 SUB0152	177mm	64mm	1002mm / 39,29/64"	OUT
			Arrow FORWARD					Arrow FORWARD				



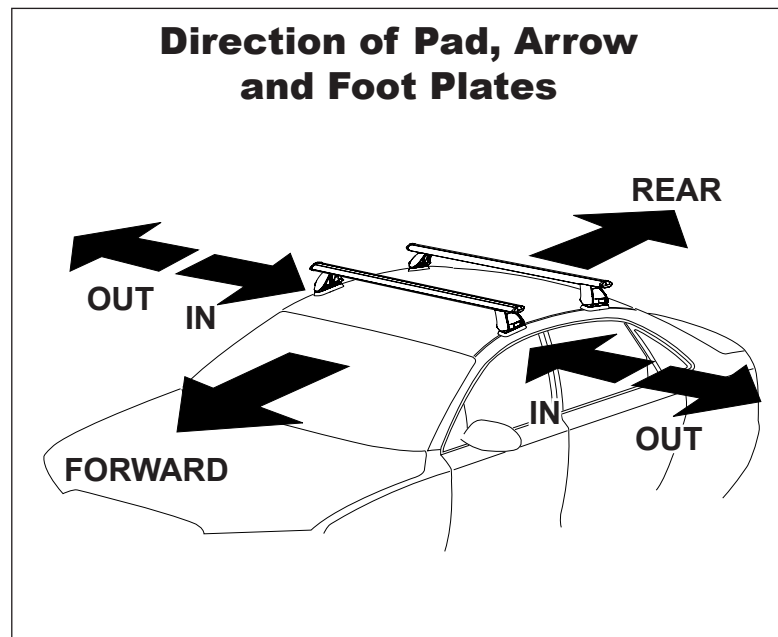
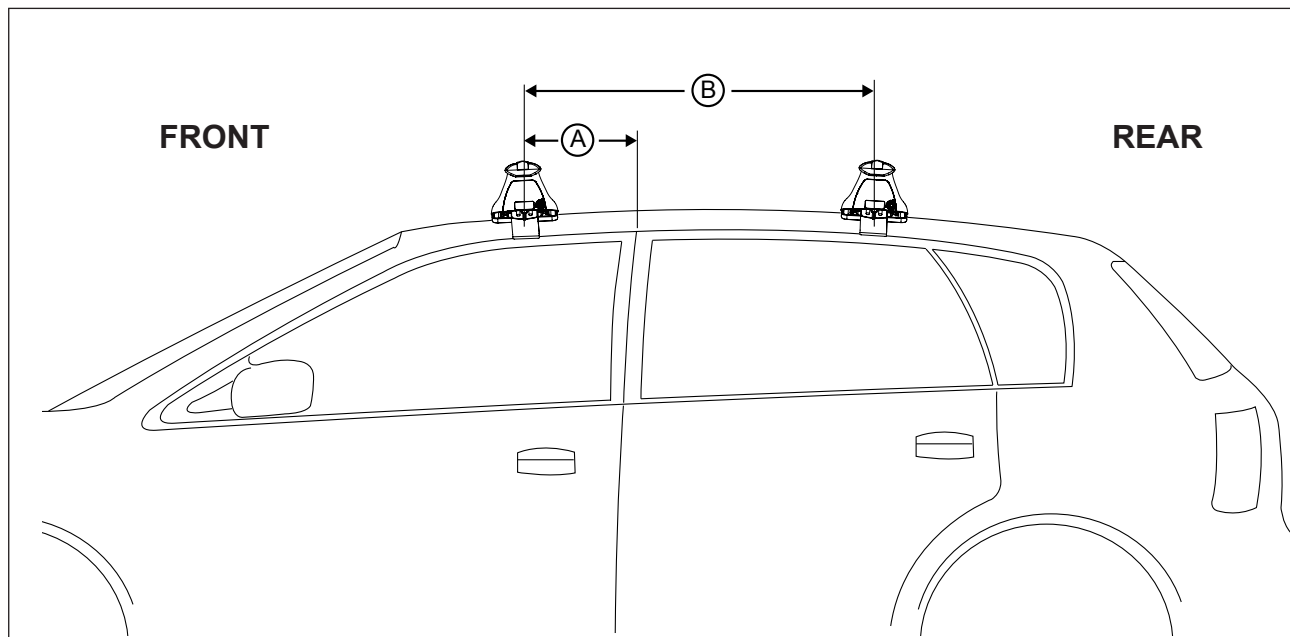
DK175 Rhino-Rack VA, Aero, Euro & HD crossbar instruction

Measurement A: CENTRE of door jamb to CENTRE arrow of leg foot plate.

Measurement B: CENTRE of Front leg foot plate arrow to CENTRE of Rear leg foot plate arrow.

Carrying capacity: Roof rack is rated to 75kg. Please refer to manufacturers handbook for your vehicles maximum roof load capacity. Always use the lower of the two figures.

If your vehicle is not listed on this fitting instruction please refer to your countries Rhino-Rack web site for the latest information.



VEHICLE	Date	Measurement A	Measurement B	Load Rating (includes racks 5kg/ 11lbs)
Acura TSX 4dr sedan	2009-	300mm / 11,13/16"	650mm / 25,19/32"	50kg / 110lbs
Honda Accord Euro 4dr sedan	06/08-	300mm / 11,13/16"	650mm / 25,19/32"	50kg / 110lbs