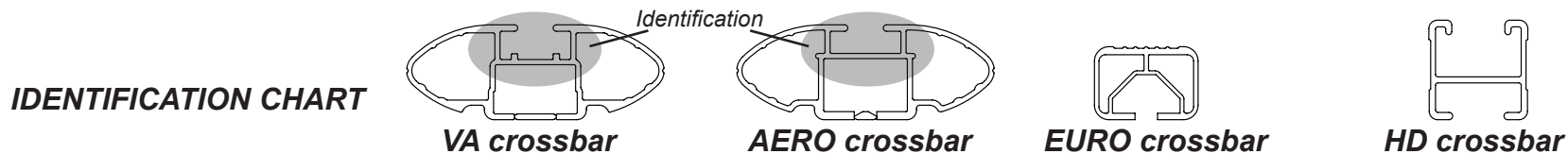




# DK171 Rhino-Rack VA, Aero, Euro & HD crossbar instruction



Vehicle	Date	Crossbar	FRONT CROSSBAR					REAR CROSSBAR						
			Front Right Pad/ Clamp	Front Left Pad/ Clamp	Measurement strip length per side	Measurement strip length per side	Measurement Distance ( x )	Foot plate arrow direction	Rear Right Pad/ Clamp	Rear Left Pad/ Clamp	Measurement strip length per side	Measurement strip length per side	Measurement Distance ( x )	Foot plate arrow direction
Nissan Maxima A35 4dr sedan <i>(excludes dual panel moon roof)</i>	2009-	1180mm	M366	SUB0186	191mm	136mm	950mm / 37,13/32"	OUT	M366	SUB0148	180mm	125mm	928mm / 36,17/32"	OUT
			Arrow FORWARD						Arrow FORWARD					



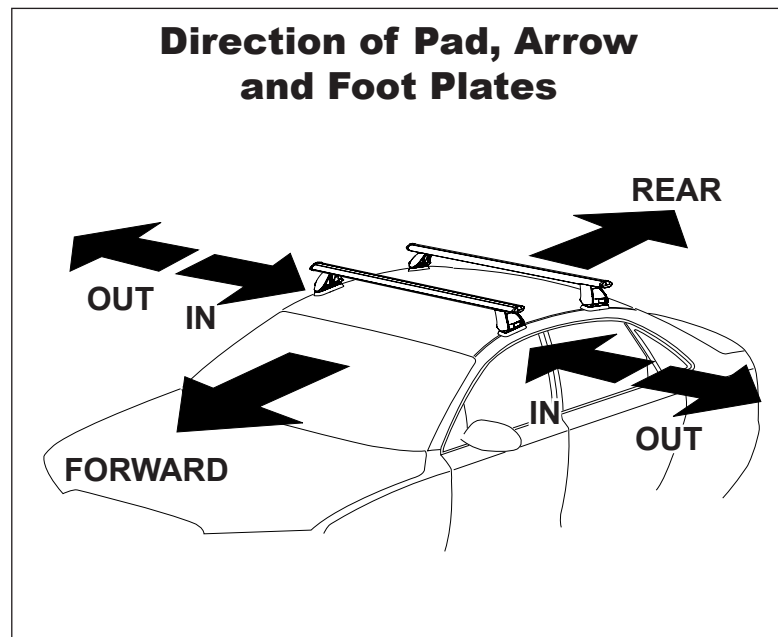
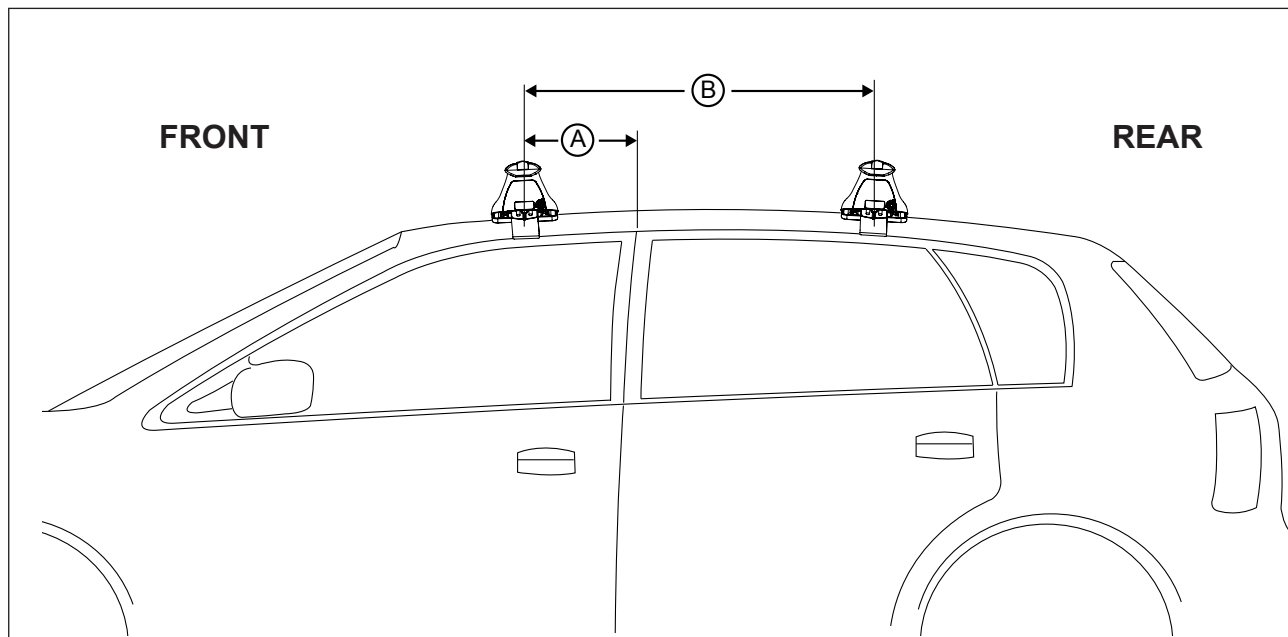
# DK171 Rhino-Rack VA, Aero, Euro & HD crossbar instruction

**Measurement A:** CENTRE of door jamb to CENTRE arrow of leg foot plate.

**Measurement B:** CENTRE of Front leg foot plate arrow to CENTRE of Rear leg foot plate arrow.

**Carrying capacity:** Roof rack is rated to 75kg. Please refer to manufacturers handbook for your vehicles maximum roof load capacity. Always use the lower of the two figures.

If your vehicle is not listed on this fitting instruction please refer to your countries Rhino-Rack web site for the latest information.



VEHICLE	Date	Measurement A	Measurement B	Load Rating (includes racks 5kg/ 11lbs)
Nissan Maxima A35 4dr sedan <i>(excludes dual panel moonroof)</i>	2009-	280mm / 11,1/32"	700mm / 27,9/16"	75kg / 165lbs