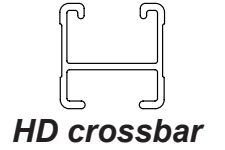
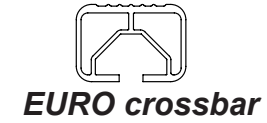
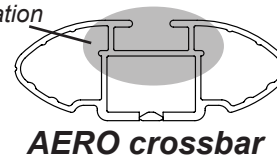
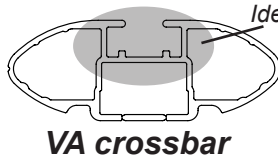




DK166 Rhino-Rack VA, Aero, Euro & HD crossbar instruction

IDENTIFICATION CHART



FRONT CROSSBAR

REAR CROSSBAR

Vehicle	Date	Crossbar	FRONT CROSSBAR					REAR CROSSBAR				
			Front Right Pad/ Clamp	Front Left Pad/ Clamp	Measurement strip length per side	Measurement strip length per side	Measurement Distance (x)	Foot plate arrow direction	Rear Right Pad/ Clamp	Rear Left Pad/ Clamp	Measurement strip length per side	Measurement strip length per side
Hyundai Accent 4dr Sedan	2006-2009	1180mm / 46,29/64"	M368 SUB0149	186mm	131mm	940mm / 37"	IN	M368 SUB0151	160mm	105mm	888mm / 34,61/64"	OUT
			Arrow OUT					Arrow OUT				



DK166 Rhino-Rack VA, Aero, Euro & HD crossbar instruction

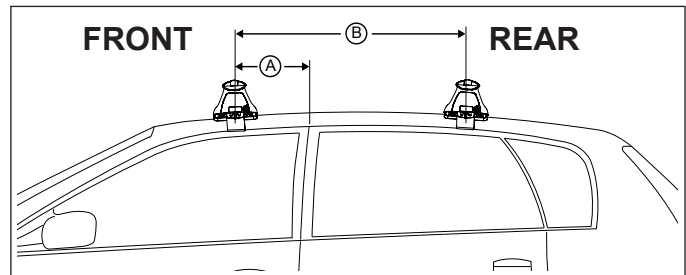
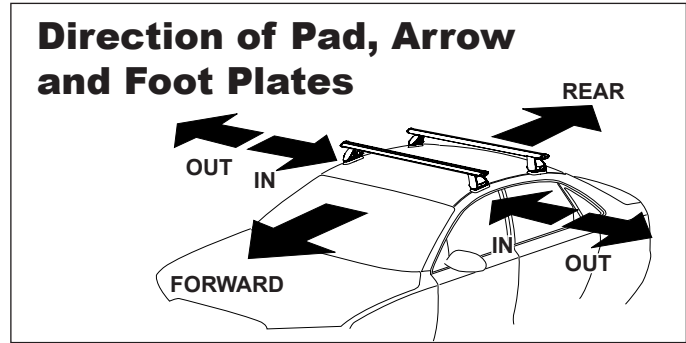
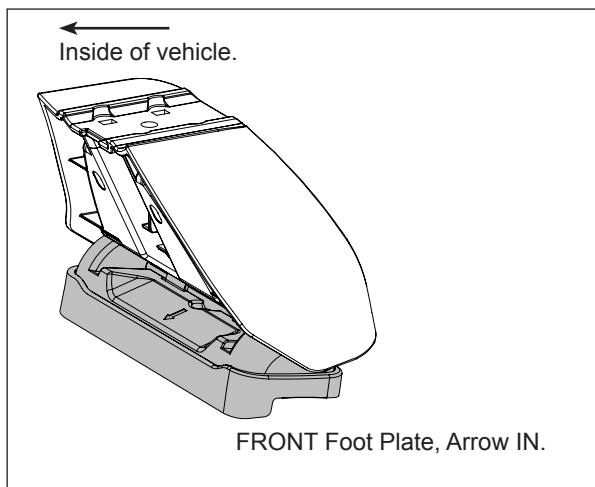
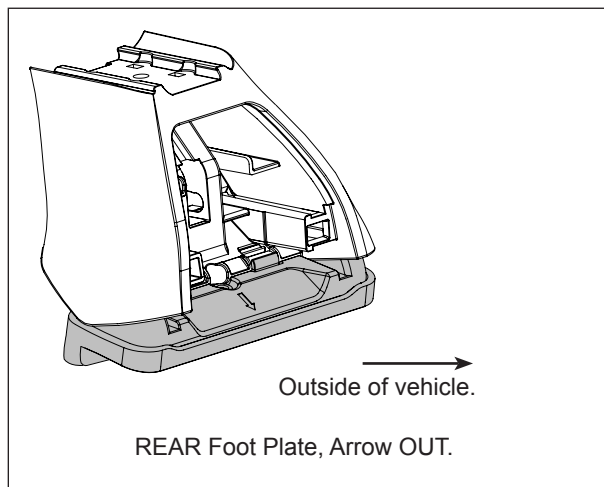
Measurement A: CENTRE of door jamb to CENTRE arrow of leg foot plate.

Measurement B: CENTRE of Front leg foot plate arrow to CENTRE of Rear leg foot plate arrow.

Carrying capacity: Roof rack is rated to 75kg. Please refer to manufacturers handbook for your vehicles maximum roof load capacity. Always use the lower of the two figures.

If your vehicle is not listed on this fitting instruction please refer to your countries Rhino-Rack web site for the latest information.

***NOTE for Hyundai Accent sedan.**
 REAR - Foot Plate Arrow faces OUT.
 FRONT - Foot Plate Arrow faces IN.



VEHICLE	Date	Measurement A	Measurement B	Load Rating (includes racks 5kg/ 11lbs)
Hyundai Accent 4dr Sedan	2006-2009	340mm / 13,25/64"	660mm / 25,63/64"	40kg / 88lbs