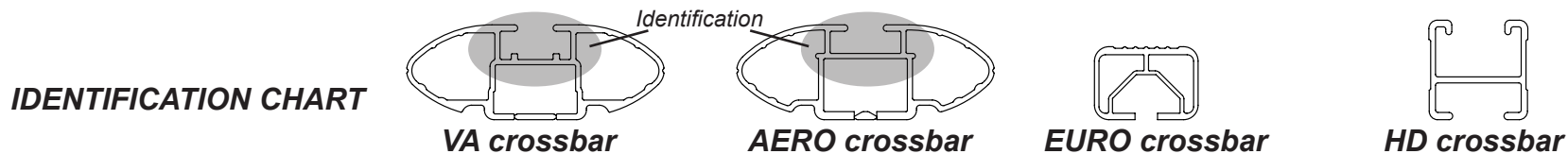




DK163 Rhino-Rack VA, Aero, Euro & HD crossbar instruction



Vehicle	Date	Crossbar	FRONT CROSSBAR					REAR CROSSBAR				
			Front Right Pad/ Clamp	Front Left Pad/ Clamp	Measurement strip length per side	Measurement strip length per side	Measurement Distance (x)	Foot plate arrow direction	Rear Right Pad/ Clamp	Rear Left Pad/ Clamp	Measurement strip length per side	Measurement strip length per side
Buick Lacrosse CXS 4dr Sedan	2005-2009	1260mm / 49,19/32"	M367 SUB0155	164mm	51mm	976mm / 38,27/64"	OUT	M367 SUB0155	152mm	39mm	952mm / 37,31/64"	OUT
			Arrow FORWARD					Arrow FORWARD				



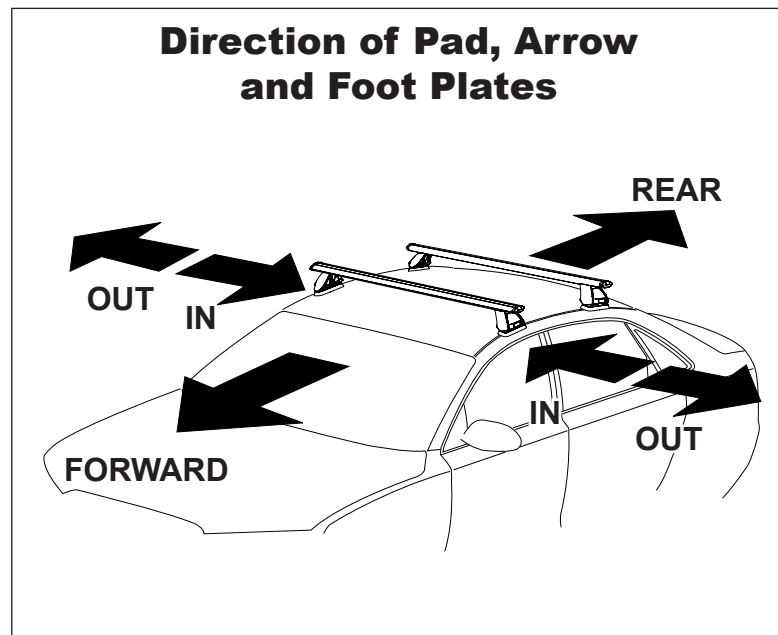
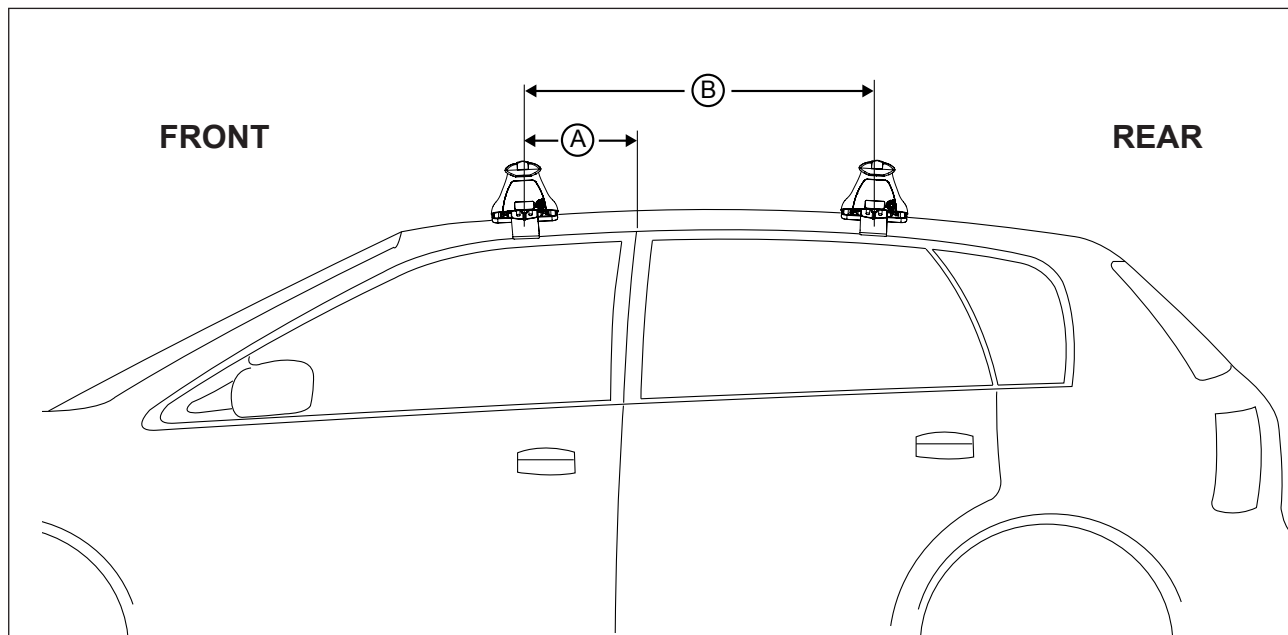
DK163 Rhino-Rack VA, Aero, Euro & HD crossbar instruction

Measurement A: CENTRE of door jamb to CENTRE arrow of leg foot plate.

Measurement B: CENTRE of Front leg foot plate arrow to CENTRE of Rear leg foot plate arrow.

Carrying capacity: Roof rack is rated to 75kg. Please refer to manufacturers handbook for your vehicles maximum roof load capacity. Always use the lower of the two figures.

If your vehicle is not listed on this fitting instruction please refer to your countries Rhino-Rack web site for the latest information.



VEHICLE	Date	Measurement A	Measurement B	Load Rating (includes racks 5kg/ 11lbs)
Buick Lacrosse CXS 4dr Sedan	2005-2009	280mm / 11,1/64"	700mm / 27,9/16"	75kg / 165lbs