



# Rhino-Rack 2500 Series

## Instruction for DK156 and RS455

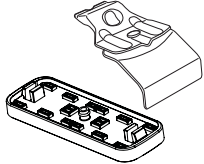
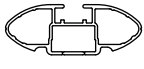
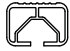

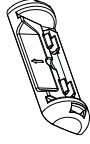
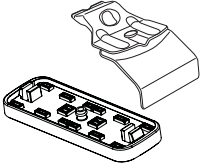



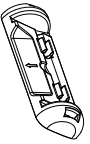
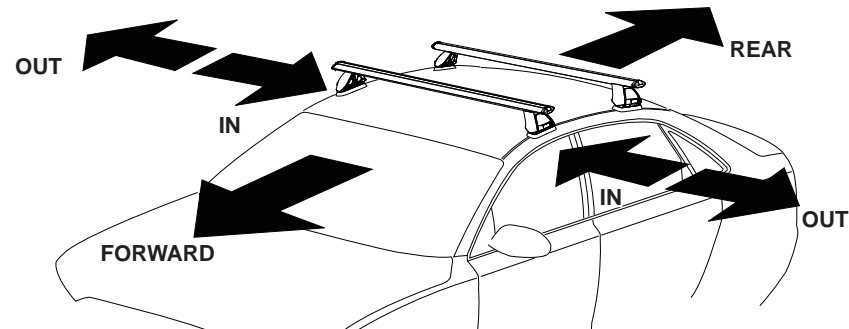
		<b>FRONT</b>							<b>REAR</b>					
		<b>Crossbar Identification</b>							<b>Crossbar Identification</b>					
														
Vehicle	Date	Crossbar	Front Right Pad/Clamp	Front Left Pad/Clamp	Measurement strip length per side	Measurement strip length per side	Measurement Distance ( x )	Foot plate arrow direction	Rear Right Pad/Clamp	Rear Left Pad/Clamp	Measurement strip length per side	Measurement strip length per side	Measurement Distance ( x )	Foot plate arrow direction
INFINITI G 4dr Sedan V35	03-06	1260mm	M367 SUB0176	M367 SUB0176	157mm	44mm	962mm / 37,7/8"	OUT	M367 SUB0145	M367 SUB0145	162mm	49mm	972mm / 38,17/64"	OUT
NISSAN Skyline 4dr Sedan V35	02-06		Pad Arrow Forward						Pad Arrow Forward					

Table above refers to Direction of Pad Arrow and Foot Plate Arrow when fitted on the vehicle.



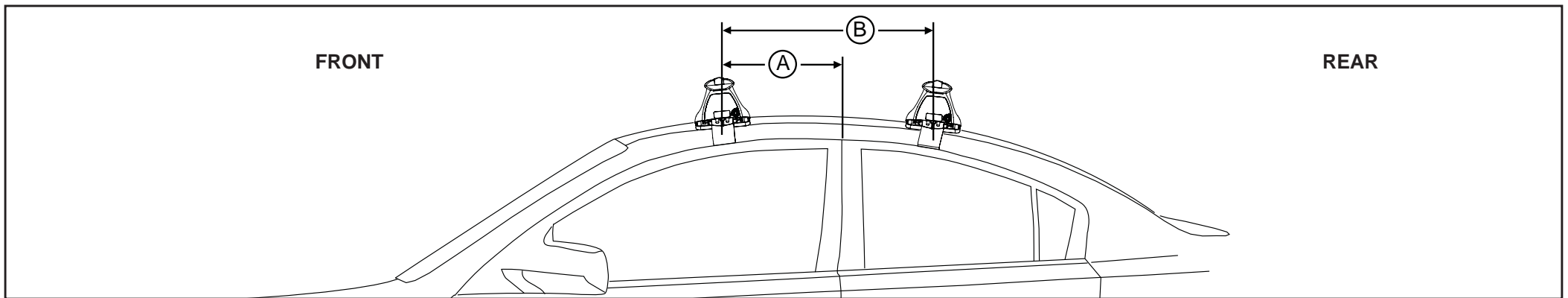
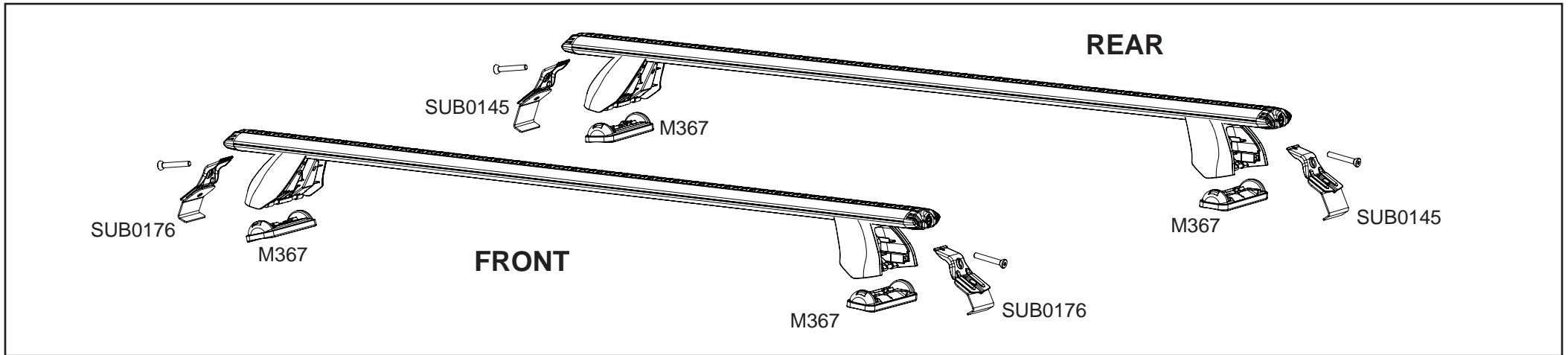


# Rhino-Rack 2500 Series

**Measurement A:** CENTRE of door jamb to CENTRE arrow of leg foot plate.

**Measurement B:** CENTRE of Front leg foot plate arrow to CENTRE of Rear leg foot plate arrow.

**Carrying capacity:** Roof rack is rated up to 75kg. Please refer to manufacturers handbook for your vehicles maximum roof load capacity. Always use the lower of the two figures.



VEHICLE	Date	Measurement A	Measurement B	Load Rating up to (includes racks 5kg/ 11lbs)
INFINITI G 4dr Sedan V35	03-06	265mm / 10,7/16"	700mm / 27,9/16"	75kg / 165lbs
NISSAN Skyline 4dr Sedan V35	02-06			