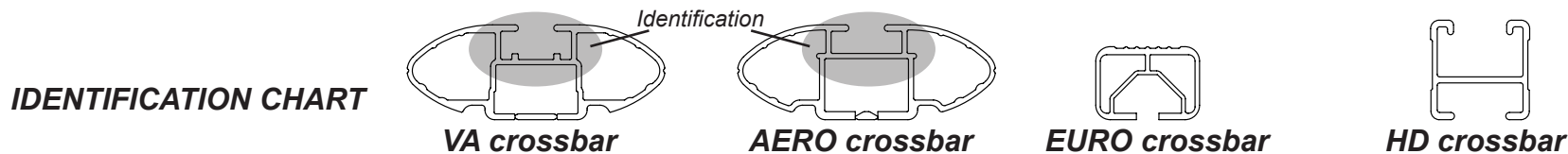




DK155 Rhino-Rack VA, Aero, Euro & HD crossbar instruction



Vehicle	Date	Crossbar	FRONT CROSSBAR					REAR CROSSBAR						
			Front Right Pad/ Clamp	Front Left Pad/ Clamp	Measurement strip length per side	Measurement strip length per side	Measurement Distance (x)	Foot plate arrow direction	Rear Right Pad/ Clamp	Rear Left Pad/ Clamp	Measurement strip length per side	Measurement strip length per side	Measurement Distance (x)	Foot plate arrow direction
Honda Ridge-line 4dr Pickup	2005 on	1500mm / 59,1/16"	M368 SUB0257	M368 SUB0257	137mm	82mm	1162mm / 45,3/4"	OUT	M368 SUB0257	M368 SUB0257	117mm	62mm	1122mm / 44,11/64"	OUT
			Arrow OUT						Arrow OUT					



DK155 Rhino-Rack VA, Aero, Euro & HD crossbar instruction

Measurement A: CENTRE of door jamb to CENTRE arrow of leg foot plate.

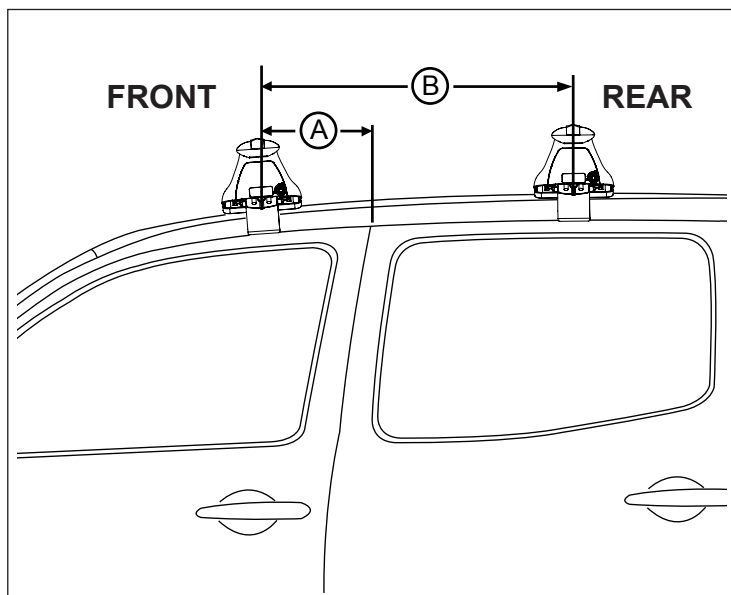
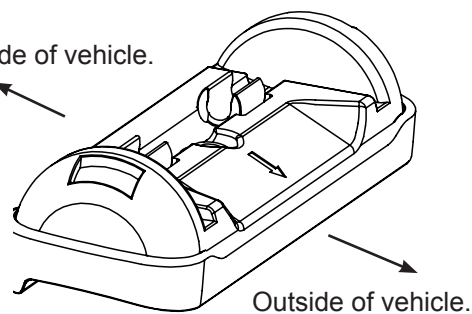
Measurement B: CENTRE of Front leg foot plate arrow to CENTRE of Rear leg foot plate arrow.

Carrying capacity: Roof rack is rated to 75kg. Please refer to manufacturers handbook for your vehicles maximum roof load capacity. Always use the lower of the two figures.

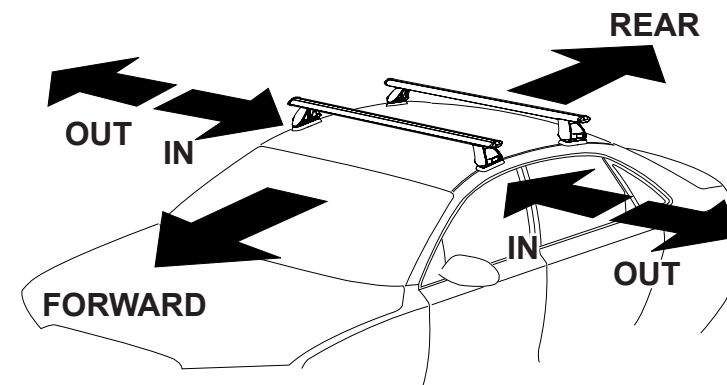
If your vehicle is not listed on this fitting instruction please refer to your countries Rhino-Rack web site for the latest information.

*M368 Pad orientation. Foot ARROW out.
Pad ARROW out.

Inside of vehicle.



Direction of Pad, Arrow and Foot Plates



VEHICLE	Date	Measurement A	Measurement B	Load Rating (includes racks 5kg/ 11lbs)
Honda Ridgeline 4dr Pickup	2005 on	260mm / 10,15/64"	750mm / 29,17/32"	75kg / 110lbs