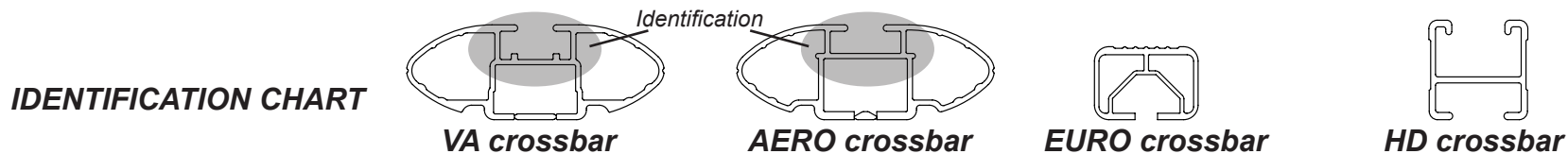




DK151 Rhino-Rack VA, Aero, Euro & HD crossbar instruction



Vehicle	Date	Crossbar	FRONT CROSSBAR					REAR CROSSBAR						
			Front Right Pad/ Clamp	Front Left Pad/ Clamp	Measurement strip length per side	Measurement strip length per side	Measurement Distance (x)	Foot plate arrow direction	Rear Right Pad/ Clamp	Rear Left Pad/ Clamp	Measurement strip length per side	Measurement strip length per side	Measurement Distance (x)	Foot plate arrow direction
Honda Accord 2dr Coupe	2008 on	1260mm / 49,19/32"	M366 SUB0145	M366 SUB0145	184mm	71mm	1016mm / 40"	OUT	M366 SUB0174	M366 SUB0174	197mm	84mm	1083mm / 42,41/64"	OUT
			Arrow FORWARD						Arrow FORWARD					



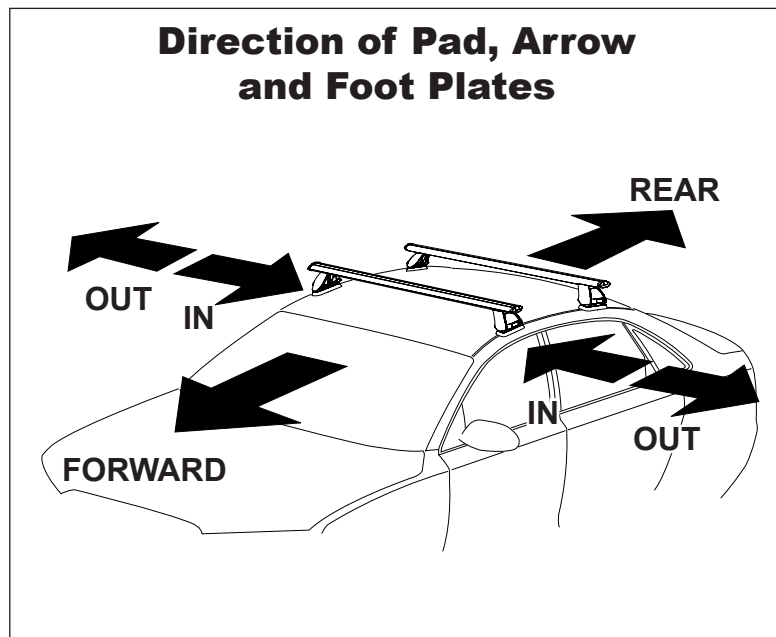
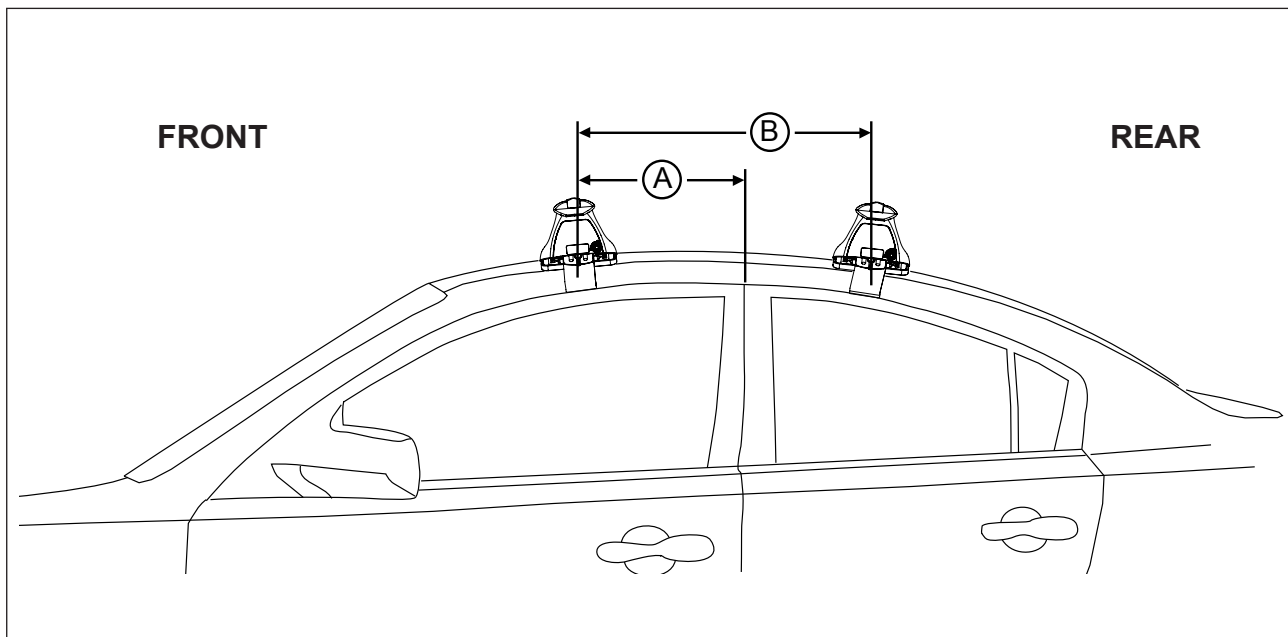
DK151 Rhino-Rack VA, Aero, Euro & HD crossbar instruction

Measurement A: CENTRE of door jamb to CENTRE arrow of leg foot plate.

Measurement B: CENTRE of Front leg foot plate arrow to CENTRE of Rear leg foot plate arrow.

Carrying capacity: Roof rack is rated to 75kg. Please refer to manufacturers handbook for your vehicles maximum roof load capacity. Always use the lower of the two figures.

If your vehicle is not listed on this fitting instruction please refer to your countries Rhino-Rack web site for the latest information.



VEHICLE	Date	Measurement A	Measurement B	Load Rating (includes racks 5kg/ 11lbs)
Honda Accord 2dr Coupe	2008 on	570mm / 22,7/16"	625mm / 24,39/64"	40kg / 88lbs



Supplement Fitting Instruction - Honda Accord 2dr Coupe

1.

Carefully slide rear clamp between rubber of rear quarter window and body of vehicle.

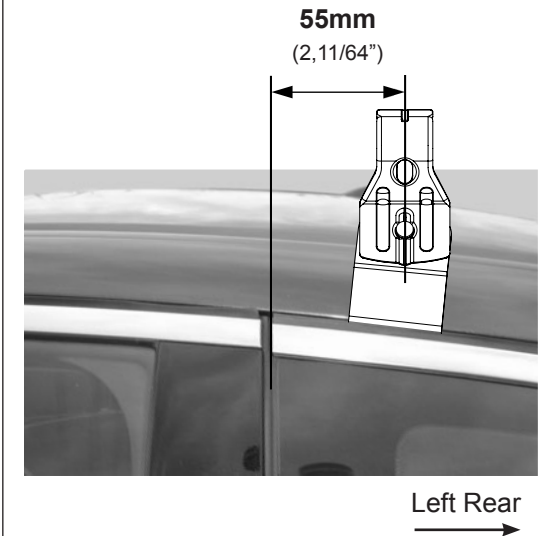
Left Rear quarter window with clamp shown.



2.

Measure **55mm** from edge of rear window trim to centre of upper clamp.

Left Rear quarter window with clamp shown.



3.

Adjust distance between legs according to Bar Measurement Strip Length on page 1 of this instruction.

Carefully manoeuvre and locate the cross bar/leg assembly without dislodging the clamp. Tighten M8 bolts to 12-14 Nm.



4.

A = 570mm / 22,7/16"

B = 625mm / 24,39/64"

