

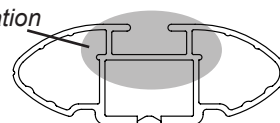


DK148 Rhino-Rack VA, Aero, Euro & HD crossbar instruction

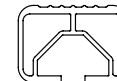
IDENTIFICATION CHART



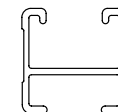
VA crossbar



AERO crossbar



EURO crossbar



HD crossbar

Vehicle	Date	Crossbar	Front					Rear						
			Right Pad/ Clamp	Left Pad/ Clamp	Measurement strip length per side	Measurement strip length per side	Measurement Distance (x)	Foot plate arrow direction	Right Pad/ Clamp	Left Pad/ Clamp	Measurement strip length per side	Measurement strip length per side	Measurement Distance (x)	Foot plate arrow direction
Cadillac Seville (STS) 4dr Sedan*	1998-2004	1260mm / 49,19/32"	M365 SUB0179	M365 SUB0179	152mm	39mm	952mm / 37,31/64"	OUT	M365 SUB0179	M365 SUB0179	153mm	40mm	954mm / 37,9/16"	OUT
			Arrow FORWARD						Arrow FORWARD					
Cadillac Luxury (SLS) 4dr Sedan*	1998-2004	1260mm / 49,19/32"	M365 SUB0179	M365 SUB0179	152mm	39mm	952mm / 37,31/64"	OUT	M365 SUB0179	M365 SUB0179	152mm	39mm	952mm / 37,31/64"	OUT
			Arrow FORWARD						Arrow FORWARD					
Chrysler PT Cruiser 5dr Liftback*	2001 on	1180mm / 46,29/64"	M365 SUB0179	M365 SUB0179	181mm	126mm	930mm / 36,39/64"	OUT	M365 SUB0179	M365 SUB0179	155mm	100mm	878mm / 34,9/16"	OUT
			Arrow FORWARD						Arrow FORWARD					
Oldsmobile Alero 4dr Sedan*	1999-2004	1060mm / 41,47/64"	M365 SUB0179	M365 SUB0179	182mm	72mm	818mm / 32,13/64"	OUT	M365 SUB0179	M365 SUB0179	196mm	86mm	846mm / 33,5/16"	OUT
			Arrow FORWARD						Arrow FORWARD					
Pontiac Grand Am 4dr Sedan*	1991-1998	1060mm / 41,47/64"	M365 SUB0179	M365 SUB0179	146mm	36mm	746mm / 29,3/8"	OUT	M365 SUB0179	M365 SUB0179	147mm	37mm	748mm / 29,29/64"	OUT
			Arrow FORWARD						Arrow FORWARD					



DK148 Rhino-Rack VA, Aero, Euro & HD crossbar instruction

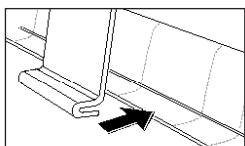
Measurement A: CENTRE of door jamb to CENTRE arrow of leg foot plate.

Measurement B: CENTRE of Front leg foot plate arrow to CENTRE of Rear leg foot plate arrow.

Carrying capacity: Roof rack is rated to 75kg. Please refer to manufacturers handbook for your vehicles maximum roof load capacity. Always use the lower of the two figures.

If your vehicle is not listed on this fitting instruction please refer to your countries Rhino-Rack web site for the latest information.

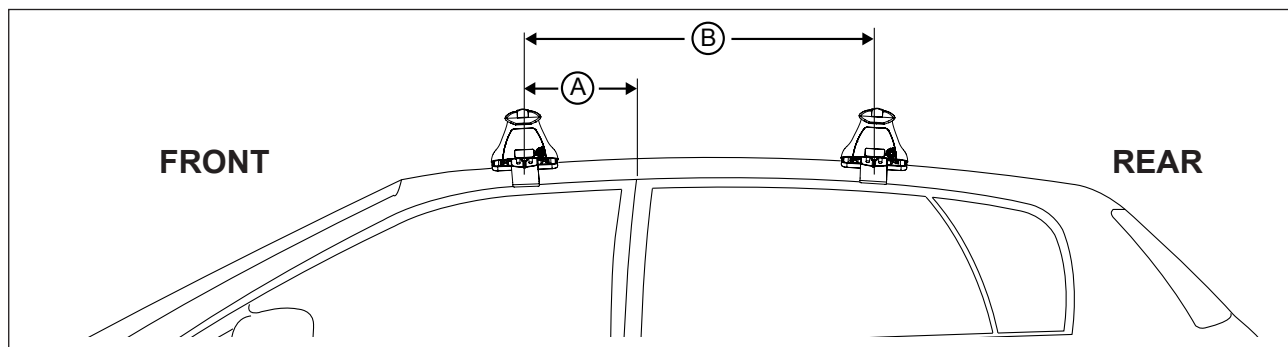
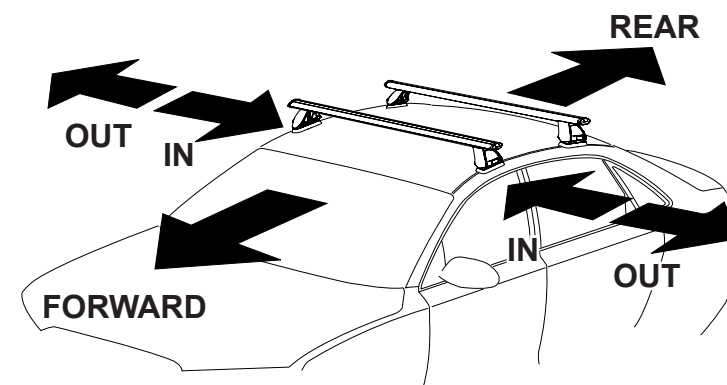
* Open doors. Pull rubber door seal back. Fit clamp.



* After cross bars and clamp are correctly fitted re-fit the rubber door seal.



Direction of Pad, Arrow and Foot Plates



VEHICLE	Date	Measurement A	Measurement B	Load Rating (includes racks 5kg/11lbs)
Cadillac Seville (STS) 4dr Sedan	1998-2004	320mm / 12,19/32"	700mm / 27,9/16"	40kg / 88lbs
Cadillac Luxury (SLS) 4dr Sedan	1998-2004	320mm / 12,19/32"	700mm / 27,9/16"	40kg / 88lbs
Chrysler PT Cruiser 5dr Liftback	2001 on	300mm / 11,13/16"	700mm / 27,9/16"	40kg / 88lbs
Oldsmobile Alero 4dr Sedan	1999-2004	300mm / 11,13/16"	700mm / 27,9/16"	40kg / 88lbs
Pontiac Grand Am 4dr Sedan	1991-1998	300mm / 11,13/16"	700mm / 27,9/16"	40kg / 88lbs