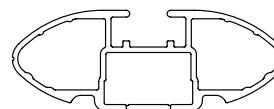
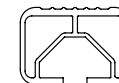




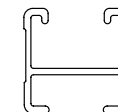
IDENTIFICATION CHART



VA crossbar



EURO crossbar



HD crossbar

Vehicle	Date	Crossbar	FRONT CROSSBAR					REAR CROSSBAR						
			Front Right Pad/ Clamp	Front Left Pad/ Clamp	Measurement strip length per side	Measurement strip length per side	Measurement Distance (x)	Foot plate arrow direction	Rear Right Pad/ Clamp	Rear Left Pad/ Clamp	Measurement strip length per side	Measurement strip length per side	Measurement Distance (x)	Foot plate arrow direction
Chevrolet Impala 4dr Sedan	2000-2005	1260mm	M368 SUB0148	M368 SUB0148	186mm	73mm	1020mm / 40,5/32"	OUT	M368 SUB0148	M368 SUB0148	184mm	71mm	1016mm / 40"	OUT
			Arrow OUT						Arrow OUT					
Nissan Rogue S AWD	2008 - 2013	1260mm	M368 SUB0148	M368 SUB0148	184mm	71mm	1016mm / 40"	OUT	M368 SUB0148	M368 SUB0148	161mm	48mm	970mm / 38,3/16"	OUT
			Arrow OUT						Arrow OUT					
Nissan Rogue Select SUV	2014 - 2015	1260mm	M368 SUB0148	M368 SUB0148	184mm	71mm	1016mm / 40"	OUT	M368 SUB0148	M368 SUB0148	161mm	48mm	970 / 38,3/16"	OUT
			Arrow OUT						Arrow OUT					



DK146 Rhino-Rack VA, Aero, Euro & HD crossbar instruction

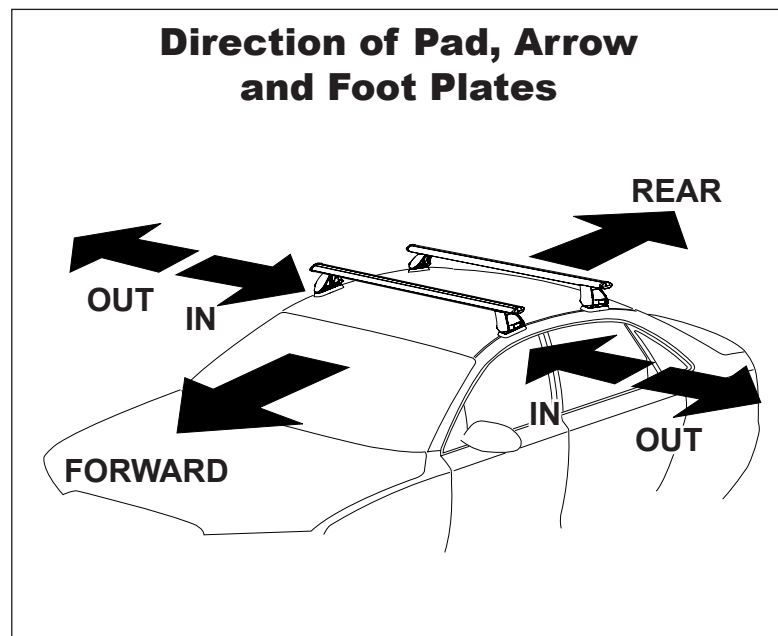
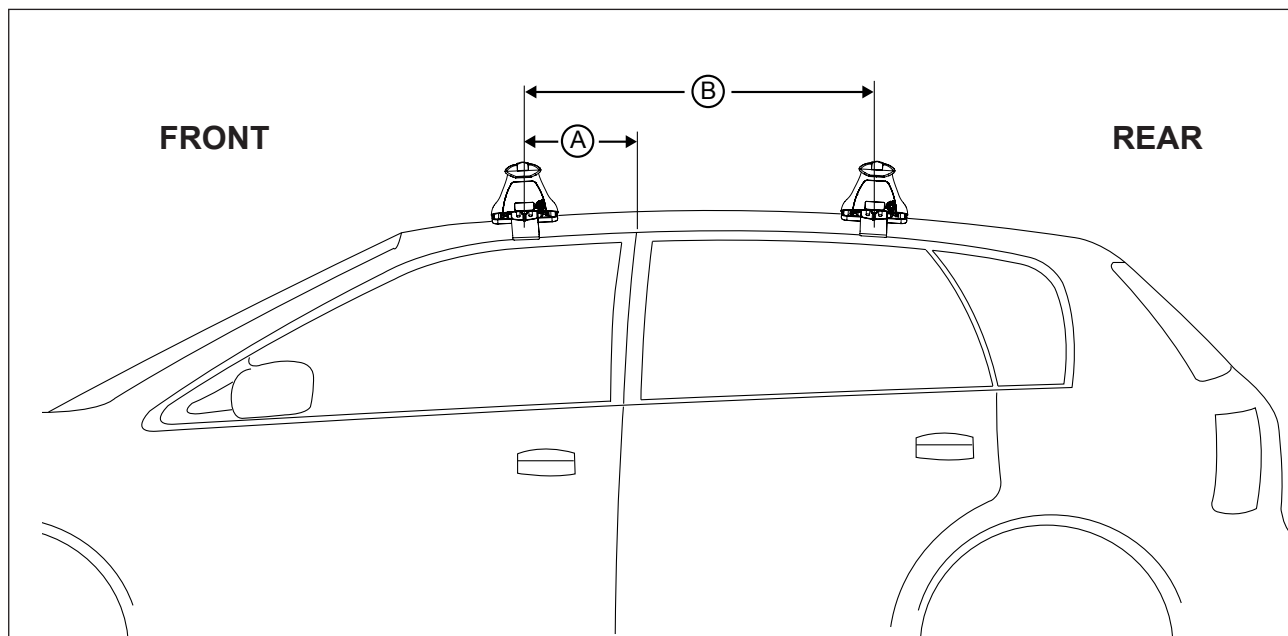
CONTROLLED

Measurement A: CENTRE of door jamb to CENTRE arrow of leg foot plate.

Measurement B: CENTRE of Front leg foot plate arrow to CENTRE of Rear leg foot plate arrow.

Carrying capacity: Roof rack is rated to 75kg. Please refer to manufacturers handbook for your vehicles maximum roof load capacity. Always use the lower of the two figures.

If your vehicle is not listed on this fitting instruction please refer to your countries Rhino-Rack web site for the latest information.



VEHICLE	Date	Measurement A	Measurement B	Load Rating (includes racks 5kg/ 11lbs)
Chevrolet Impala 4dr Sedan	2000-2005	290mm / 11,27/64"	750mm / 29,17/32"	75kg / 165lbs
Nissan Rogue S AWD	2008 - 2013	250mm / 9,27/32"	700mm / 27,9/16"	75kg / 165lbs
Nissan Rogue Select SUV	2014 - 2015	250mm / 9,27/32"	700mm / 27,9/16"	75kg / 165lbs