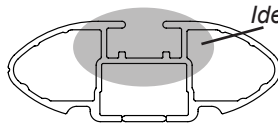


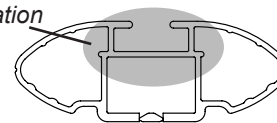


# DK117 Rhino-Rack VA, Aero, Euro & HD crossbar instruction

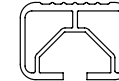
## IDENTIFICATION CHART



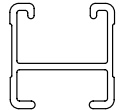
VA crossbar



AERO crossbar



EURO crossbar



HD crossbar

### FRONT CROSSBAR

### REAR CROSSBAR

Vehicle	Date	Crossbar	FRONT CROSSBAR					REAR CROSSBAR						
			Front Right Pad/ Clamp	Front Left Pad/ Clamp	Measurement strip length per side	Measurement strip length per side	Measurement Distance ( x )	Foot plate arrow direction	Rear Right Pad/ Clamp	Rear Left Pad/ Clamp	Measurement strip length per side	Measurement strip length per side	Measurement Distance ( x )	Foot plate arrow direction
Mitsubishi Grandis Wagon	05/04-06/06	1260mm	M366 114490	M366 114490	194mm	81mm	1036mm	OUT	M366 SUB0144	M366 SUB0144	190mm	77mm	1028mm	OUT
			Arrow FORWARD						Arrow FORWARD					



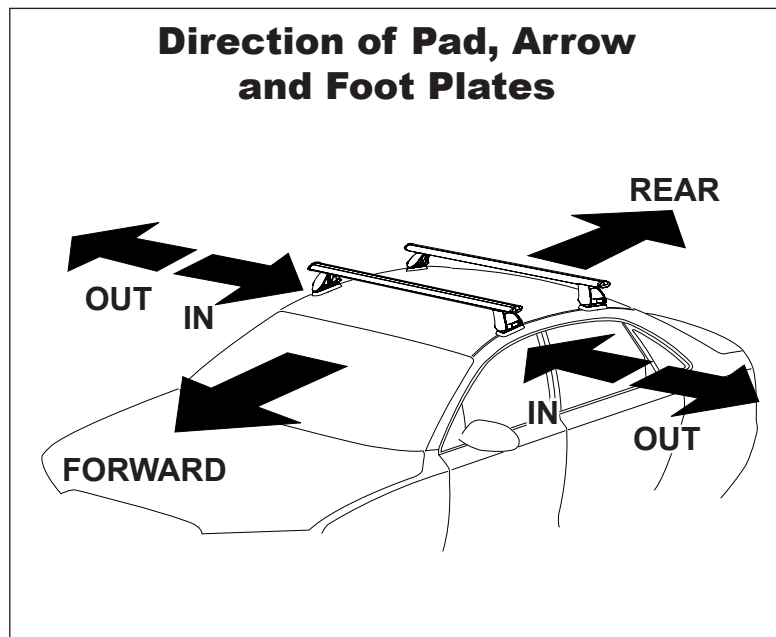
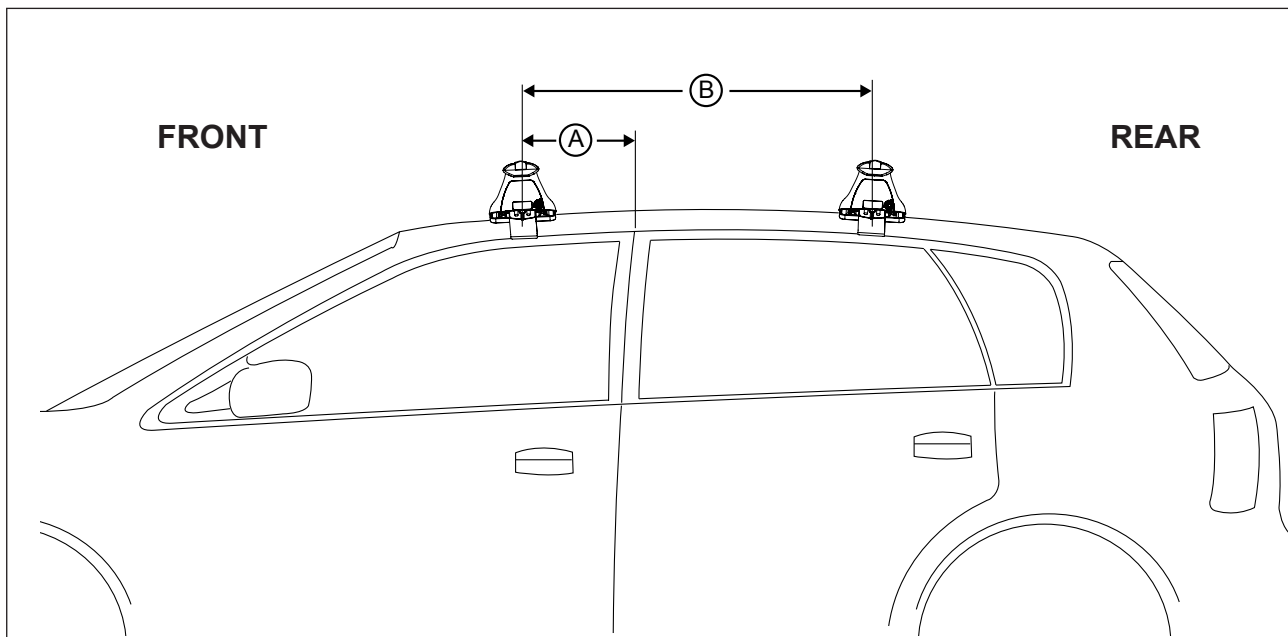
# DK117 Rhino-Rack VA, Aero, Euro & HD crossbar instruction

**Measurement A:** CENTRE of door jamb to CENTRE arrow of leg foot plate.

**Measurement B:** CENTRE of Front leg foot plate arrow to CENTRE of Rear leg foot plate arrow.

**Carrying capacity:** Roof rack is rated to 75kg. Please refer to manufacturers handbook for your vehicles maximum roof load capacity. Always use the lower of the two figures.

If your vehicle is not listed on this fitting instruction please refer to your countries Rhino-Rack web site for the latest information.



VEHICLE	Date	Measurement A	Measurement B	Load Rating (includes racks 5kg/11lbs)
Mitsubishi Grandis Wagon	05/04 - 06/06	200mm	800mm	75kg / 165lbs