

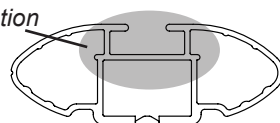


DK110 Rhino-Rack VA, Aero, Euro & HD crossbar instruction

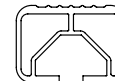
IDENTIFICATION CHART



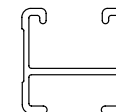
VA crossbar



AERO crossbar



EURO crossbar



HD crossbar

FRONT CROSSBAR

REAR CROSSBAR

Vehicle	Date	Crossbar	FRONT CROSSBAR					REAR CROSSBAR						
			Front Right Pad/ Clamp	Front Left Pad/ Clamp	Measurement strip length per side	Measurement strip length per side	Measurement Distance (x)	Foot plate arrow direction	Rear Right Pad/ Clamp	Rear Left Pad/ Clamp	Measurement strip length per side	Measurement strip length per side	Measurement Distance (x)	Foot plate arrow direction
Holden Apollo Sedan	02/93-07/97	1180mm	M365 SUB0183	M365 SUB0183	169mm	114mm	906mm	OUT	M365 SUB0183	M365 SUB0183	174mm	119mm	916mm	OUT
			Arrow FORWARD						Arrow FORWARD					
Toyota Camry Sedan	02/93-07/97	1180mm	M365 SUB0183	M365 SUB0183	169mm	114mm	906mm	OUT	M365 SUB0183	M365 SUB0183	174mm	119mm	916mm	OUT
			Arrow FORWARD						Arrow FORWARD					
Toyota Camry Sedan	08/97-08/02	1180mm	M365 SUB0183	M365 SUB0183	169mm	114mm	906mm	OUT	M365 SUB0183	M365 SUB0183	166mm	111mm	900mm	OUT
			Arrow FORWARD						Arrow FORWARD					



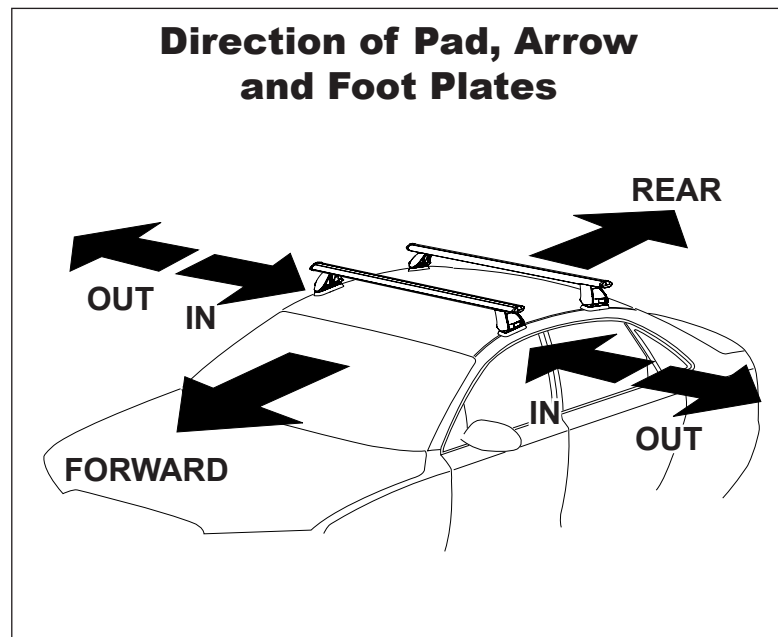
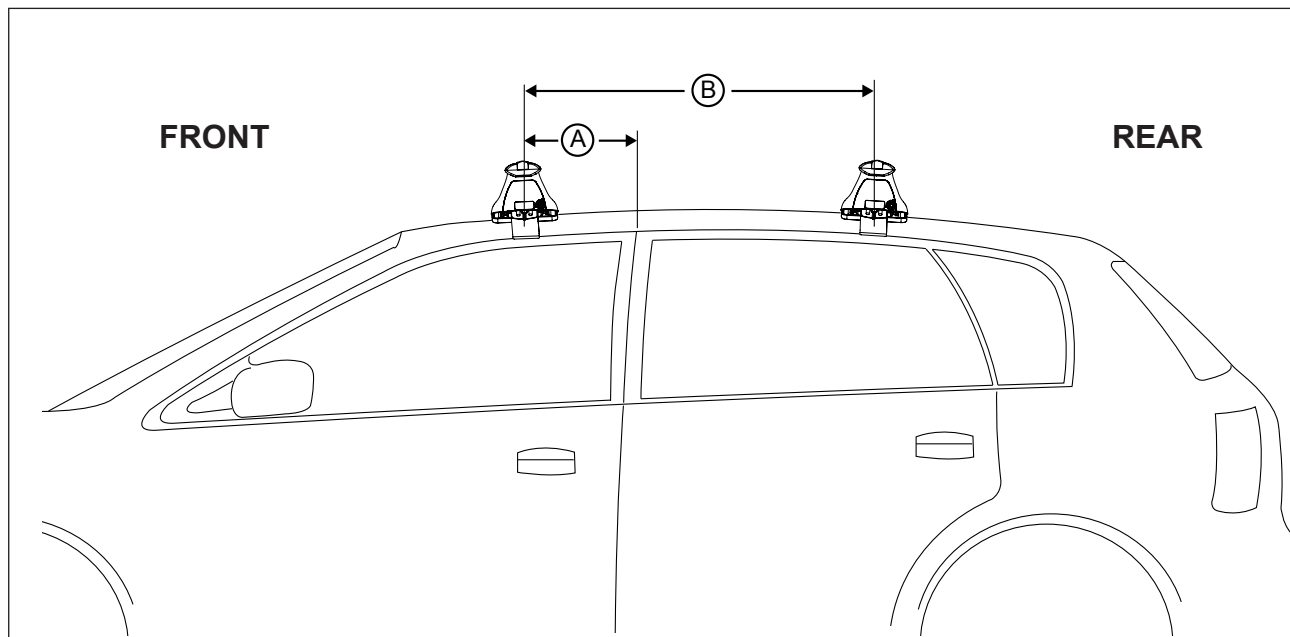
DK110 Rhino-Rack VA, Aero, Euro & HD crossbar instruction

Measurement A: CENTRE of door jamb to CENTRE arrow of leg foot plate.

Measurement B: CENTRE of Front leg foot plate arrow to CENTRE of Rear leg foot plate arrow.

Carrying capacity: Roof rack is rated to 75kg. Please refer to manufacturers handbook for your vehicles maximum roof load capacity. Always use the lower of the two figures.

If your vehicle is not listed on this fitting instruction please refer to your countries Rhino-Rack web site for the latest information.



VEHICLE	Date	Measurement A	Measurement B	Load Rating (includes racks 5kg/ 11lbs)
Holden Apollo Sedan	02/93 - 07/97	250mm	680mm	75kg / 165lbs
Toyota Camry Sedan	02/93 - 07/97	250mm	680mm	75kg / 165lbs
Toyota Camry Sedan	08/97 - 08/02	250mm	680mm	75kg / 165lbs