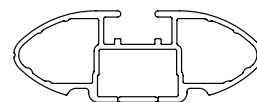
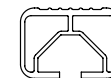




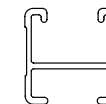
CROSSBAR IDENTIFICATION



VA crossbar



EURO crossbar



HD crossbar

Vehicle	Date	Crossbar	FRONT CROSSBAR					REAR CROSSBAR						
			Front Right Pad/Clamp	Front Left Pad/Clamp	Measurement strip length per side	Measurement strip length per side	Measurement Distance (x)	Foot plate arrow direction	Rear Right Pad/Clamp	Rear Left Pad/Clamp	Measurement strip length per side	Measurement strip length per side	Measurement Distance (x)	Foot plate arrow direction
Mazda Bravo 4dr Dual Cab	2/99-11/06	1260mm	M365 SUB0173	M365 SUB0173	150mm	37mm	948mm / 37,21/64"	OUT	M365 SUB0173	M365 SUB0173	148mm	35mm	944mm / 37,11/64"	OUT
Ford Courier PE-PH 4dr Crew Cab	2/99-12/06		Pad Arrow Forward						Pad Arrow Forward					
Mazda Bravo 2dr Freestyle Cab	11/02-11/06	1260mm	M365 SUB0173	M365 SUB0173	150mm	37mm	948mm / 37,21/64"	OUT	M365 SUB0173	M365 SUB0173	148mm	35mm	944mm / 37,11/64"	OUT
Ford Courier PG-PH 2dr Super Cab	11/02-12/06		Pad Arrow Forward						Pad Arrow Forward					
Mazda Bravo 2dr Single Cab	2/99-11/06	1260mm	M365 SUB0173	M365 SUB0173	150mm	37mm	948mm / 37,21/64"	OUT	-	-	-	-	-	-
Ford Courier PE-PH 2dr Single Cab	2/99-12/06		Pad Arrow Forward						-					



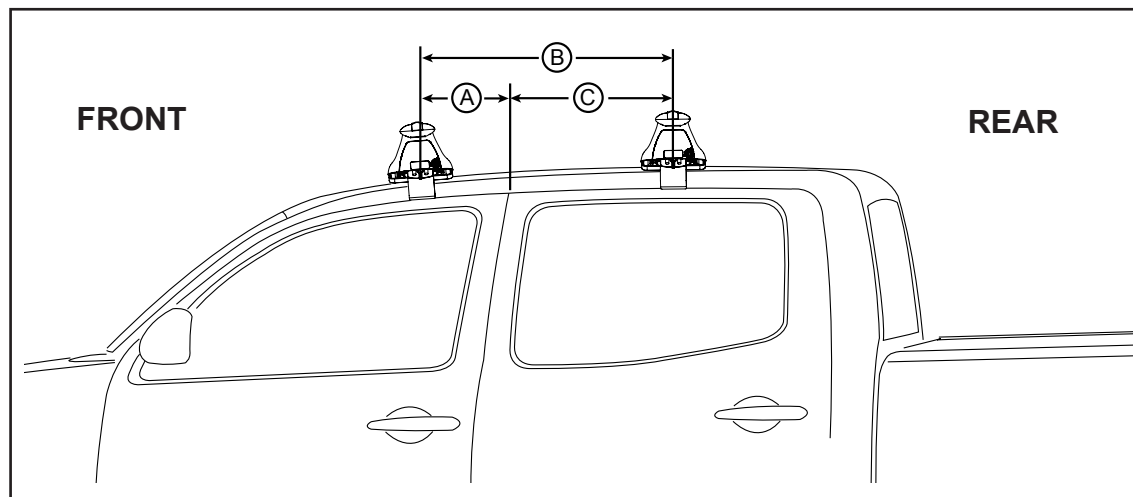
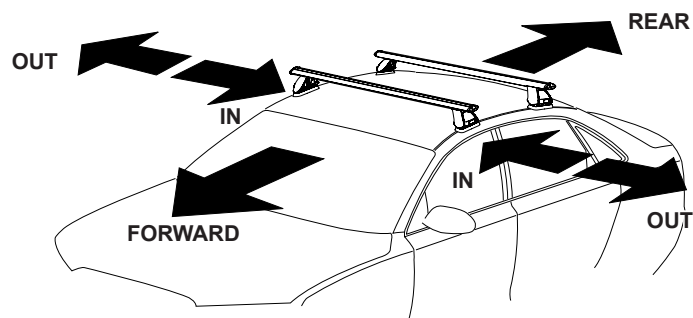
Measurement A: CENTRE of door jamb to CENTRE arrow of leg foot plate.

Measurement B: CENTRE of Front leg foot plate arrow to CENTRE of Rear leg foot plate arrow.

Carrying capacity: Roof rack is rated to 75kg. Please refer to manufacturers handbook for your vehicles maximum roof load capacity. Always use the lower of the two figures.

If your vehicle is not listed on this fitting instruction please refer to your countries Rhino-Rack web site for the latest information.

Direction of Pad Arrow and Foot Plate Arrow



VEHICLE	Date	Measurement A	Measurement B	Measurement C	Load Rating (includes racks 5kg/ 11lbs)
Mazda Bravo 4dr Dual Cab	2/99-11/06	300mm / 11,13/16"	800mm / 31,1/2"	500mm / 19,11/16"	50kg / 110lbs (2 bars) 25kg / 55lbs (1 bar)
Ford Courier PE-PH 4dr Crew Cab	2/99-12/06				
Mazda Bravo 2dr Freestyle Cab	11/02-11/06	300mm / 11,13/16"	700mm / 27,9/16"	400mm / 15,3/4"	50kg / 110lbs (2 bars) 25kg / 55lbs (1 bar)
Ford Courier PG-PH 2dr Super Cab	11/02-12/06				
Mazda Bravo 2dr Single Cab	2/99-11/06	300mm / 11,13/16"	-	-	25kg / 55lbs
Ford Courier PE-PH 2dr Single Cab	2/99-12/06				