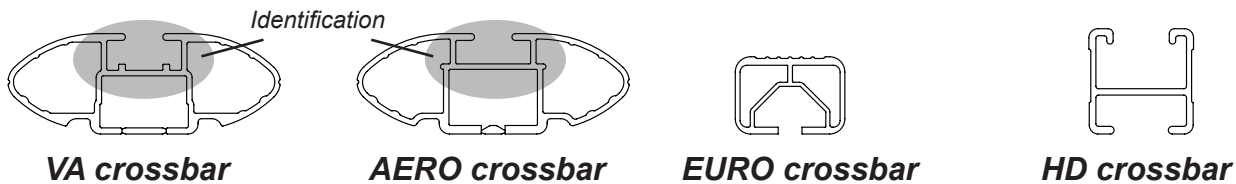




DK044 Rhino-Rack VA, Aero, Euro & HD crossbar instruction

IDENTIFICATION CHART



Vehicle	Date	Crossbar	FRONT CROSSBAR					REAR CROSSBAR						
			Front Right Pad/ Clamp	Front Left Pad/ Clamp	Measurement strip length per side	Measurement strip length per side	Measurement Distance (x)	Foot plate arrow direction	Rear Right Pad/ Clamp	Rear Left Pad/ Clamp	Measurement strip length per side	Measurement strip length per side	Measurement Distance (x)	Foot plate arrow direction
Hyundai Getz TB 5dr Hatch	02-11	1180mm	M368 114403		174mm	119mm	916mm / 36,11/16"	OUT	M367 114403		179mm	124mm	926mm / 36,29/64"	OUT
			Arrow OUT						Arrow FORWARD					



DK044 Rhino-Rack VA, Aero, Euro & HD crossbar instruction

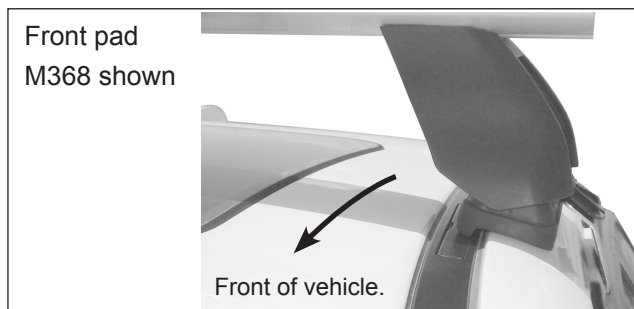
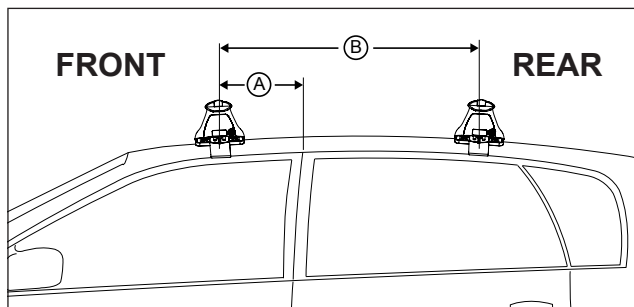
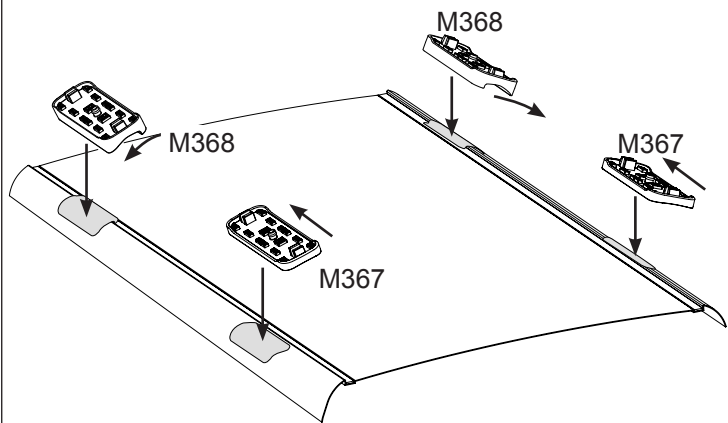
Measurement A: CENTRE of door jamb to CENTRE arrow of leg foot plate.

Measurement B: CENTRE of Front leg foot plate arrow to CENTRE of Rear leg foot plate arrow.

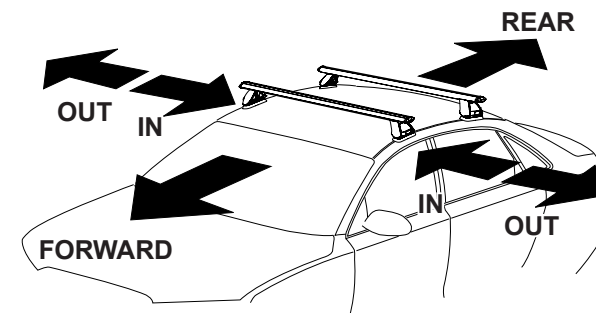
Carrying capacity: Roof rack is rated to 75kg. Please refer to manufacturers handbook for your vehicles maximum roof load capacity. Always use the lower of the two figures.

If your vehicle is not listed on this fitting instruction please refer to your countries Rhino-Rack web site for the latest information.

Pad M368, FRONT of vehicle, arrow outward.
Pad M367, REAR of vehicle, arrow forward.



Direction of Pad, Arrow and Foot Plates



VEHICLE	Date	Measurement A	Measurement B	Load Rating (includes racks 5kg/11lbs)
Hyundai Getz TB 5dr Hatch	02-11	250mm / 9,27/32"	700mm / 27,9/16"	50kg / 110lbs