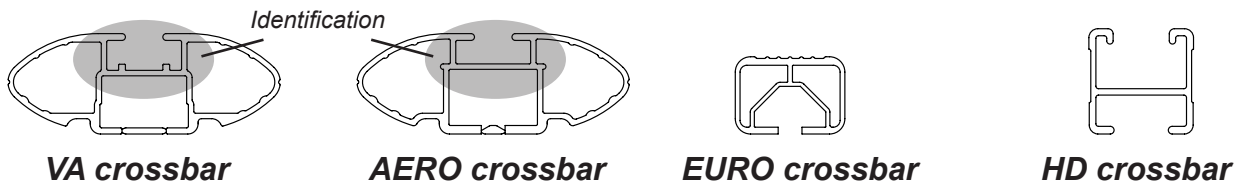




# DK037 Rhino-Rack VA, Aero, Euro & HD crossbar instruction

## IDENTIFICATION CHART



Vehicle	Date	Crossbar	FRONT CROSSBAR					REAR CROSSBAR						
			Front Right Pad/Clamp	Front Left Pad/Clamp	Measurement strip length per side	Measurement strip length per side	Measurement Distance (x)	Foot plate arrow direction	Rear Right Pad/Clamp	Rear Left Pad/Clamp	Measurement strip length per side	Measurement strip length per side	Measurement Distance (x)	Foot plate arrow direction
Hyundai Sonata NF 4dr Sedan	2005-2010	1180mm	M506 SUB0151	M505 SUB0151	214mm	159mm	996mm / 39,7/32"	OUT	M505 SUB0256	M506 SUB0256	205mm	150mm	978mm /38,1/2"	OUT
			Arrow OUT						Arrow OUT					
Hyundai Sonica 4dr Sedan	2005-2010	1180mm	M506 SUB0151	M505 SUB0151	214mm	159mm	996mm / 39,7/32"	OUT	M505 SUB0256	M506 SUB0256	205mm	150mm	978mm /38,1/2"	OUT
			Arrow OUT						Arrow OUT					



# DK037 Rhino-Rack VA, Aero, Euro & HD crossbar instruction

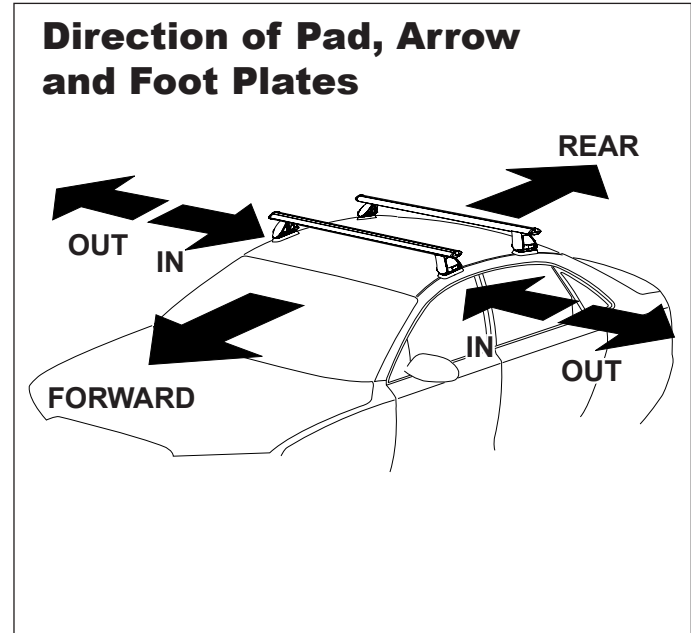
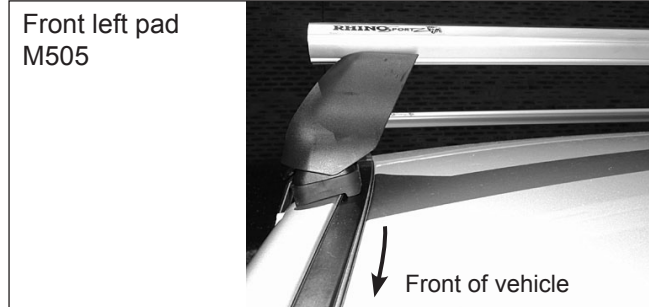
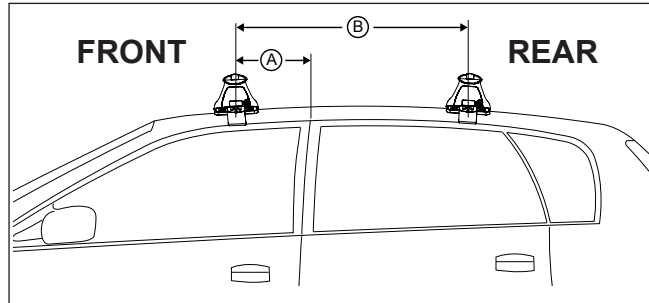
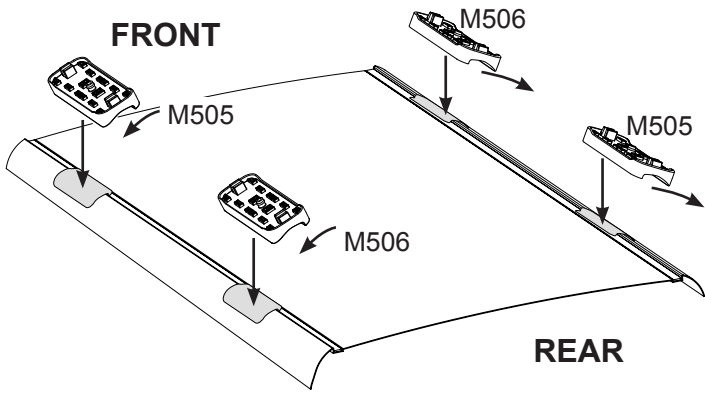
**Measurement A:** CENTRE of door jamb to CENTRE arrow of leg foot plate.

**Measurement B:** CENTRE of Front leg foot plate arrow to CENTRE of Rear leg foot plate arrow.

**Carrying capacity:** Roof rack is rated to 75kg. Please refer to manufacturers handbook for your vehicles maximum roof load capacity. Always use the lower of the two figures.

If your vehicle is not listed on this fitting instruction please refer to your countries Rhino-Rack web site for the latest information.

- Pad M505 FRONT Left of vehicle - Arrow facing outward.
- Pad M506 FRONT Right of vehicle - Arrow facing outward.
- Pad M505 REAR Right of vehicle - Arrow facing outward.
- Pad M506 REAR Left of vehicle - Arrow facing outward.



VEHICLE	Date	Measurement A	Measurement B	Load Rating (includes racks 5kg/11lbs)
Hyundai Sonata NF 4dr Sedan	2005-2010	245mm / 9,41/64"	700mm / 27,9/16"	75kg / 165lbs
Hyundai Sonica 4dr Sedan	2005-2010	245mm / 9,41/64"	700mm / 27,9/16"	75kg / 165lbs