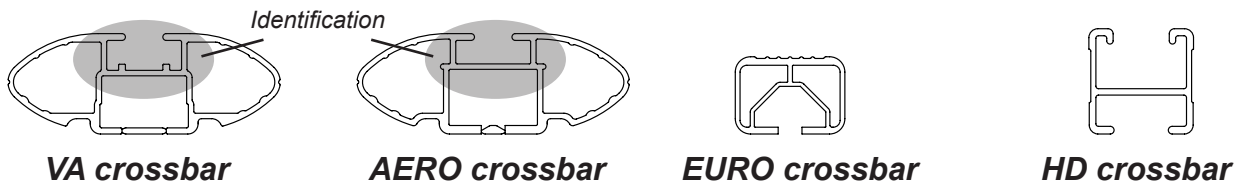




DK012 Rhino-Rack VA, Aero, Euro & HD crossbar instruction

IDENTIFICATION CHART



Vehicle	Date	Crossbar	FRONT CROSSBAR					REAR CROSSBAR				
			Front Right Pad/ Clamp	Front Left Pad/ Clamp	Measurement strip length per side	Measurement strip length per side	Measurement Distance (x)	Foot plate arrow direction	Rear Right Pad/ Clamp	Rear Left Pad/ Clamp	Measurement strip length per side	Measurement strip length per side
Kia Mentor 4dr Sedan	05/1998-06/2000	1180mm / 46,29/64"	M366 114447	176mm	121mm	920mm / 36,7/32"	OUT	M367 114500	161mm	106mm	890mm / 35,3/64"	OUT
			Arrow FORWARD					Arrow FORWARD				
Kia Sephia 4dr Sedan	1997-2001	1180mm / 46,29/64"	M366 114447	176mm	121mm	920mm / 36,7/32"	OUT	M367 114500	161mm	106mm	890mm / 35,3/64"	OUT
			Arrow FORWARD					Arrow FORWARD				



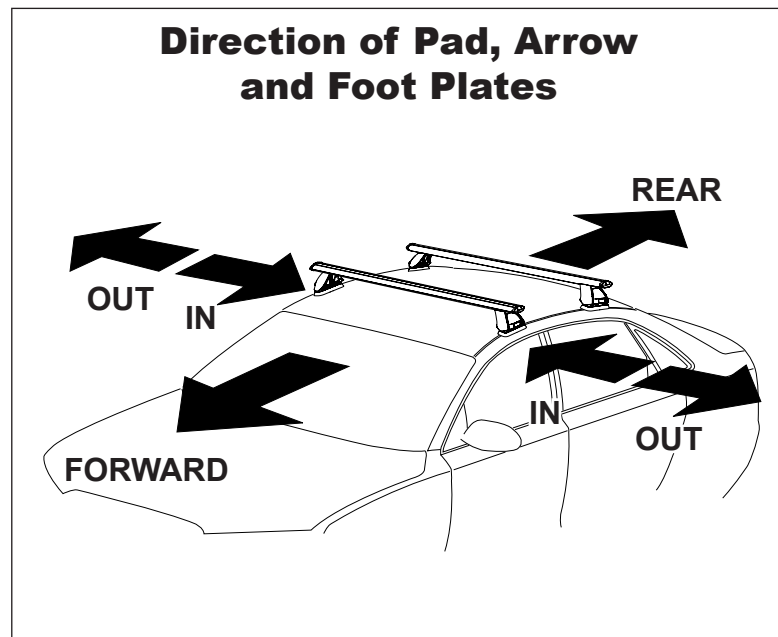
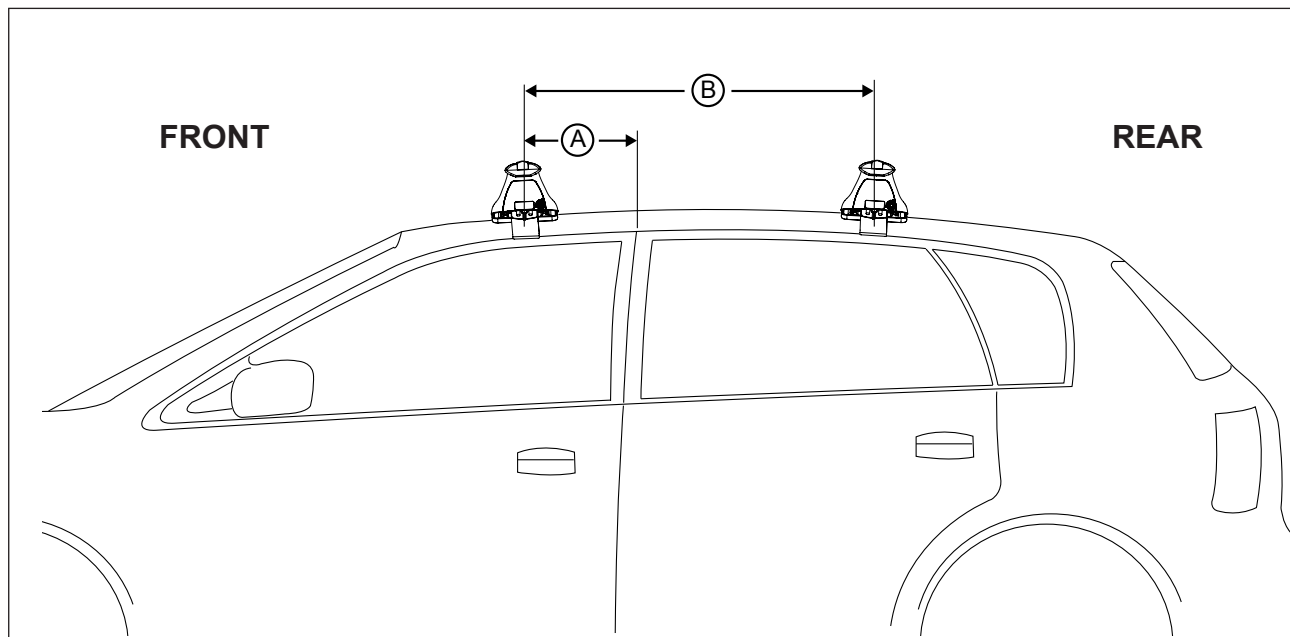
DK012 Rhino-Rack VA, Aero, Euro & HD crossbar instruction

Measurement A: CENTRE of door jamb to CENTRE arrow of leg foot plate.

Measurement B: CENTRE of Front leg foot plate arrow to CENTRE of Rear leg foot plate arrow.

Carrying capacity: Roof rack is rated to 75kg. Please refer to manufacturers handbook for your vehicles maximum roof load capacity. Always use the lower of the two figures.

If your vehicle is not listed on this fitting instruction please refer to your countries Rhino-Rack web site for the latest information.



VEHICLE	Date	Measurement A	Measurement B	Load Rating (includes racks 5kg/11lbs)
Kia Mentor 4dr Sedan	05/1998-06/2000	300mm / 11,13/16"	620mm / 24,13/32"	50kg / 110lbs
Kia Sephia 4dr Sedan	1997-2001	300mm / 11,13/16"	620mm / 24,13/32"	50kg / 110lbs