

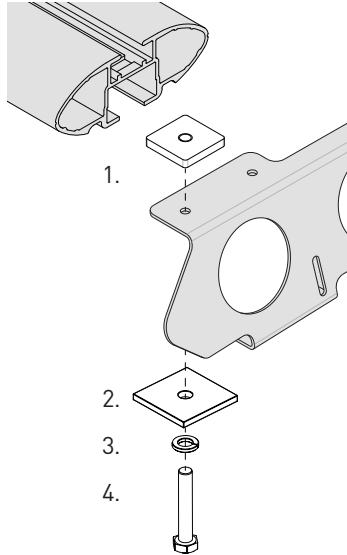
710-SUB-00004

Item	Component Name	Qty
1	M6 Nut 24 x 24 x 4	8
2	RCP 32 x 3 Square	8
3	M6 Spring Washer	8
4	M6 x 20 Hex Bolt	8
5	Instructions	8

**Note:**

- Kit adapts VA bars to van backbones.
- Backbone not included in this kit.
- VA Bar not included in this kit.

Issue: 02  
 Document No: R2766  
 Date: 21/04/21



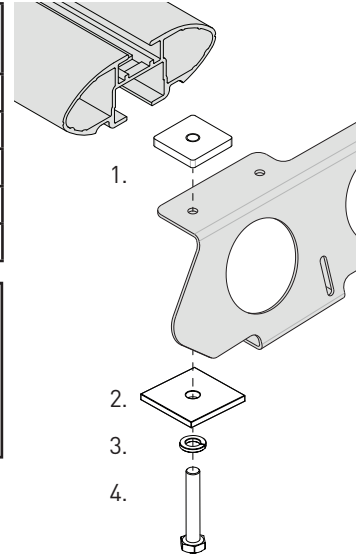
710-SUB-00004

Item	Component Name	Qty
1	M6 Nut 24 x 24 x 4	8
2	RCP 32 x 3 Square	8
3	M6 Spring Washer	8
4	M6 x 20 Hex Bolt	8
5	Instructions	8

**Note:**

- Kit adapts VA bars to van backbones.
- Backbone not included in this kit.
- VA Bar not included in this kit.

Issue: 02  
 Document No: R2766  
 Date: 21/04/21



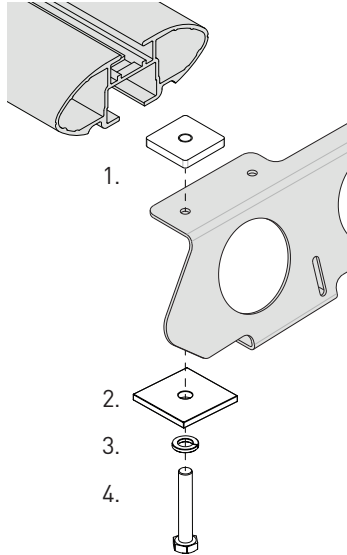
710-SUB-00004

Item	Component Name	Qty
1	M6 Nut 24 x 24 x 4	8
2	RCP 32 x 3 Square	8
3	M6 Spring Washer	8
4	M6 x 20 Hex Bolt	8
5	Instructions	8

**Note:**

- Kit adapts VA bars to van backbones.
- Backbone not included in this kit.
- VA Bar not included in this kit.

Issue: 02  
 Document No: R2766  
 Date: 21/04/21



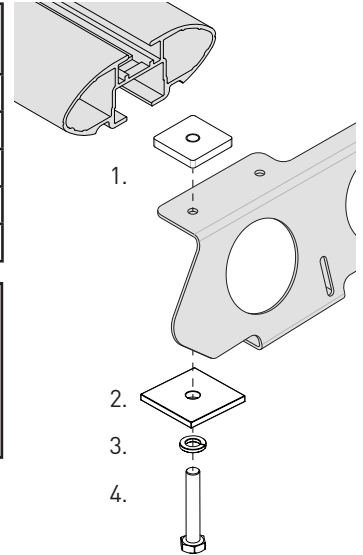
710-SUB-00004

Item	Component Name	Qty
1	M6 Nut 24 x 24 x 4	8
2	RCP 32 x 3 Square	8
3	M6 Spring Washer	8
4	M6 x 20 Hex Bolt	8
5	Instructions	8

**Note:**

- Kit adapts VA bars to van backbones.
- Backbone not included in this kit.
- VA Bar not included in this kit.

Issue: 02  
 Document No: R2766  
 Date: 21/04/21



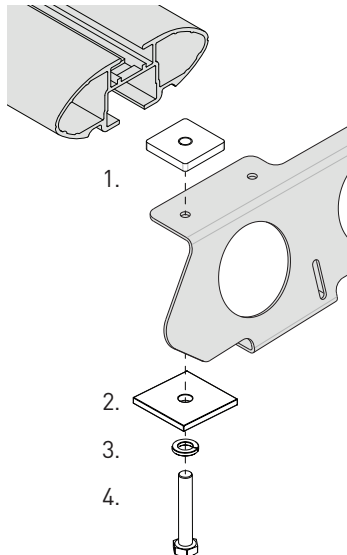
710-SUB-00004

Item	Component Name	Qty
1	M6 Nut 24 x 24 x 4	8
2	RCP 32 x 3 Square	8
3	M6 Spring Washer	8
4	M6 x 20 Hex Bolt	8
5	Instructions	8

**Note:**

- Kit adapts VA bars to van backbones.
- Backbone not included in this kit.
- VA Bar not included in this kit.

Issue: 02  
 Document No: R2766  
 Date: 21/04/21



710-SUB-00004

Item	Component Name	Qty
1	M6 Nut 24 x 24 x 4	8
2	RCP 32 x 3 Square	8
3	M6 Spring Washer	8
4	M6 x 20 Hex Bolt	8
5	Instructions	8

**Note:**

- Kit adapts VA bars to van backbones.
- Backbone not included in this kit.
- VA Bar not included in this kit.

Issue: 02  
 Document No: R2766  
 Date: 21/04/21

