



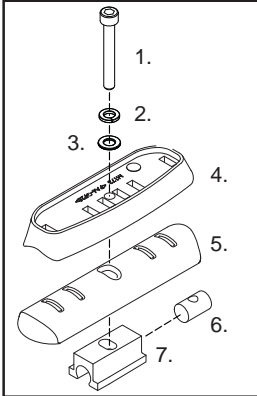
RHINO-RACK

RTV-BK Track Bolt Kit

Important: Please read these instructions carefully prior to installation.
Check the contents of this kit before commencing fitment and report any discrepancies.
Place these instructions in the vehicle's glove box after installation is complete.

Parts List

Item	RTV-BK	Qty	Part No.
1	M6 x 40mm Socket Cap Screw	4	B033
2	M6 Spring Washer	4	W004
3	M6 x 16mm Flat Washers	4	W031
4	Top Pad	4	M173
5	Bottom Pad	4	M172
6	Dowel Nut	4	N027
7	Dowel Nut Housing	4	A341
8	Instructions	1	R1139

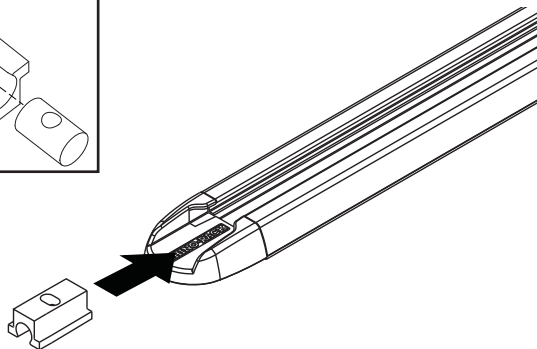
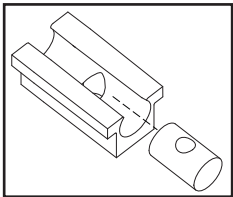


Kit Requires (sold separate)	Qty	Part No.
Crossbars (vehicle dependent)	2	VA---
Locking Leg	4	RVL/H4 or RCL/H4
Track	2	RTV---

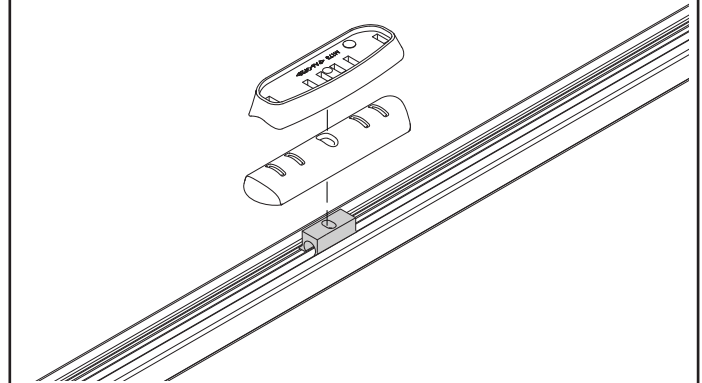
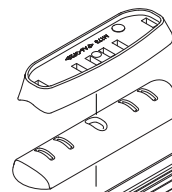
Note:
For installation with RTV Track and RVL/H or RCL/H kits and Crossbars (sold as separate).
Tools Required:
Allen Key (provided)

Instructions

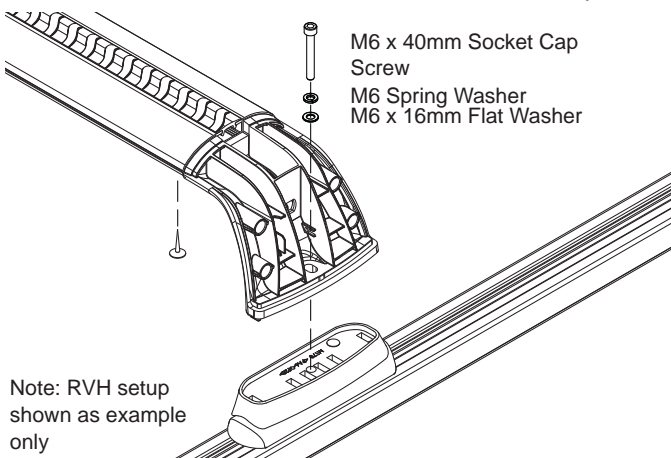
1 Push the Dowel Nut into the Nut Housing with the thread facing up through the hole. Slide the assembly into the installed Track.



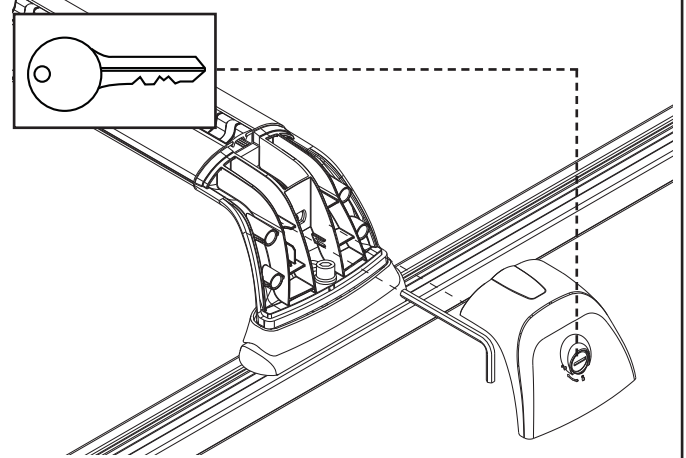
2 Place the Bottom and Top Pads onto the installed Dowel Housing.



3 Fix the completed Crossbars to the vehicle specific Base Kit that has been purchased using the Allen Key provided. Note: refer to instruction R850 for detailed Crossbar assembly.



4 Replace the Allen Key and Cover Plate. Lock with Key Provided. Reference crossbar instructions for detailed installation of crossbars.



Rhino-Rack
3 Pike Street, Rydalmere,
NSW 2116, Australia.
(Ph) (02) 9638 4744

Document No: R1139
Prepared By: Kayle Everett
Authorised By: Chris Murty
(Fax) (02) 9638 4822

Fit Time: 30min (with bars)
Issue No: 02
Issue Date: 30/03/17

These instructions remain the property of Rhino-Rack Australia Pty. Ltd. and may not be used or changed for any other purpose than intended.