

# RHINO-RACK®

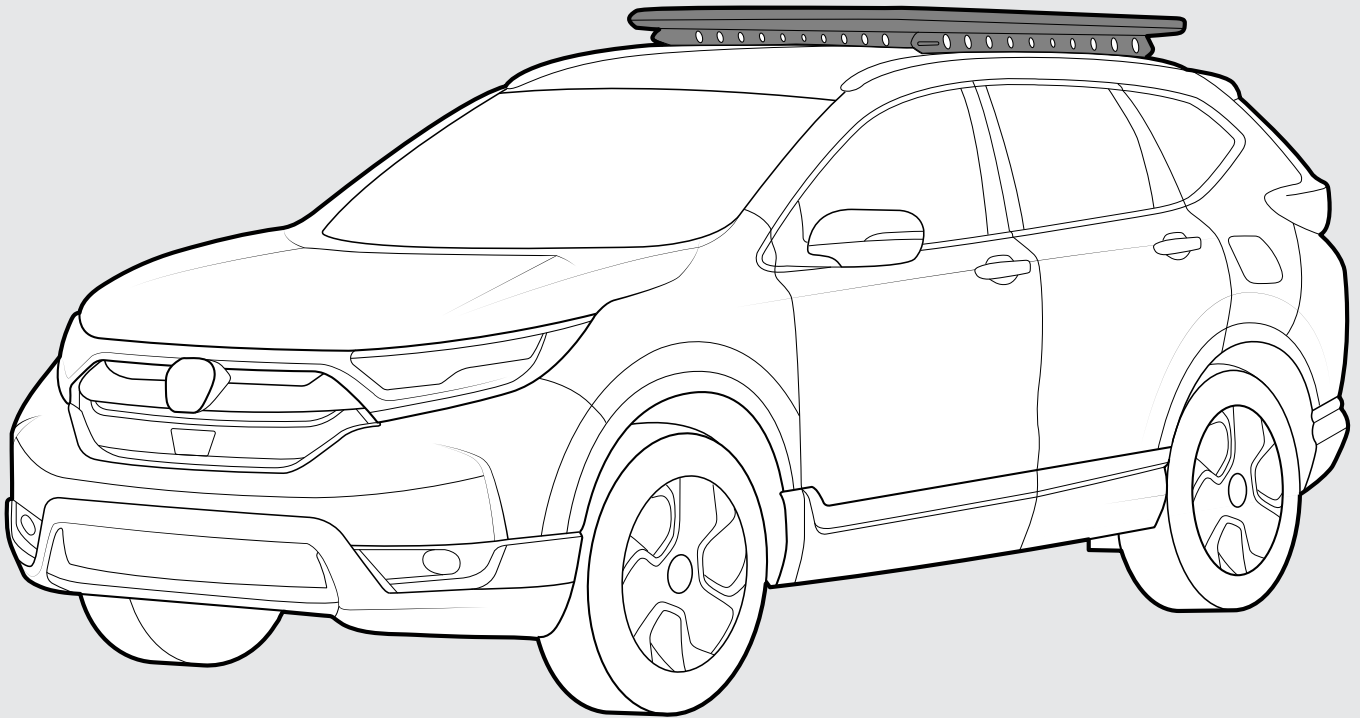
## Honda CR-V Gen5 and Gen6 Backbone

### RHCB2

**Important:**

1. Check the Rhino-Rack website to ensure you have the latest issue of these instructions.
2. Please refer to your fitting instruction to ensure that the roof racks are installed in the correct locations.
3. Check the contents of kit before commencing fitment and report any discrepancies.
4. Place these instructions in the vehicle's glove box after installation is complete.
5. These instructions must be followed for warranty to be upheld.

**Fit Time:** 45mins



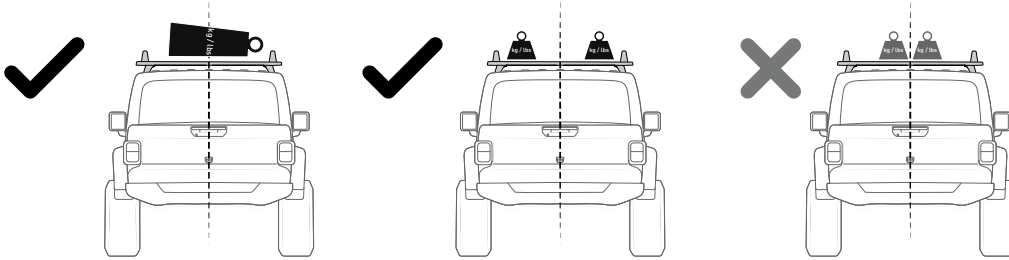
TWO PERSON  
INSTALLATION

**RHINORACK.COM**

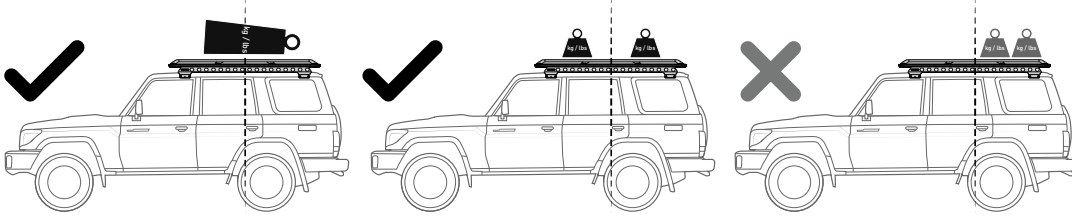
Document No: 520-RFI-00183

Issue No: 01

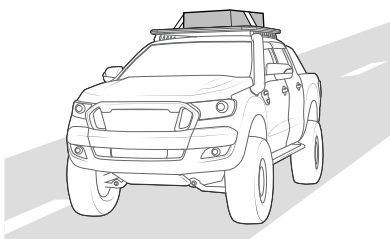
Issue Date: 19/01/2024



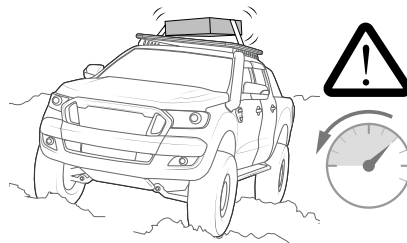
Distribute loads evenly and longitudinally as low as possible over the span.



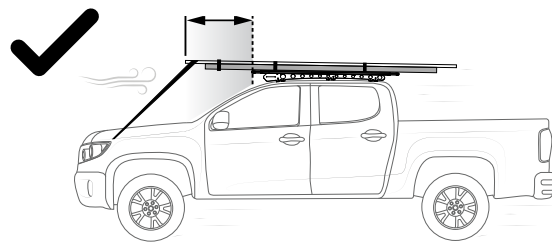
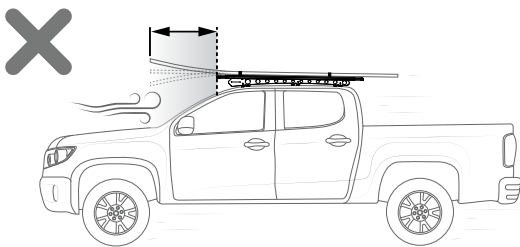
Avoid point loads concentrated at the front or rear.



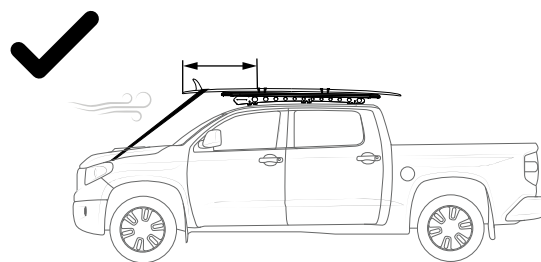
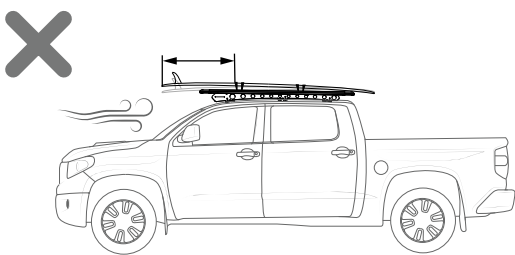
Exercise extreme care when transporting wind-resistant loads. Special consideration must be taken when cornering and braking.



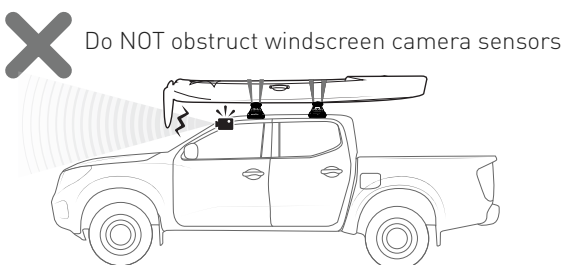
Off-road conditions can be much more rigorous. Extreme care must be taken on any driven path that does not contain a surface protection layer (tar/bitumen).



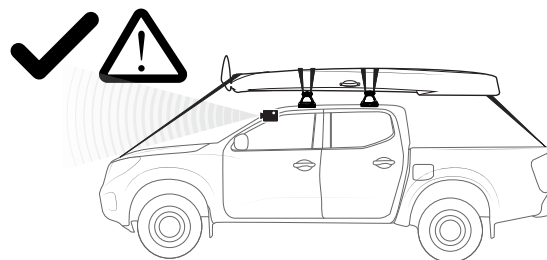
Long flexible loads must attach securely to rigid support and be tied down to the bonnet.



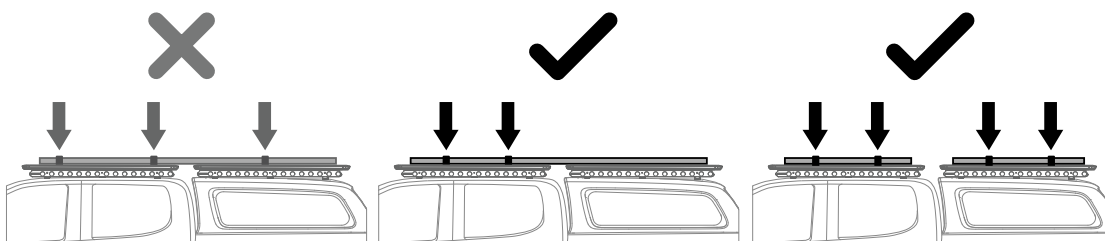
Surfboard Overhang greater than **600mm / 23 5/8in** must be tied to the bonnet



Do NOT obstruct windscreen camera sensors

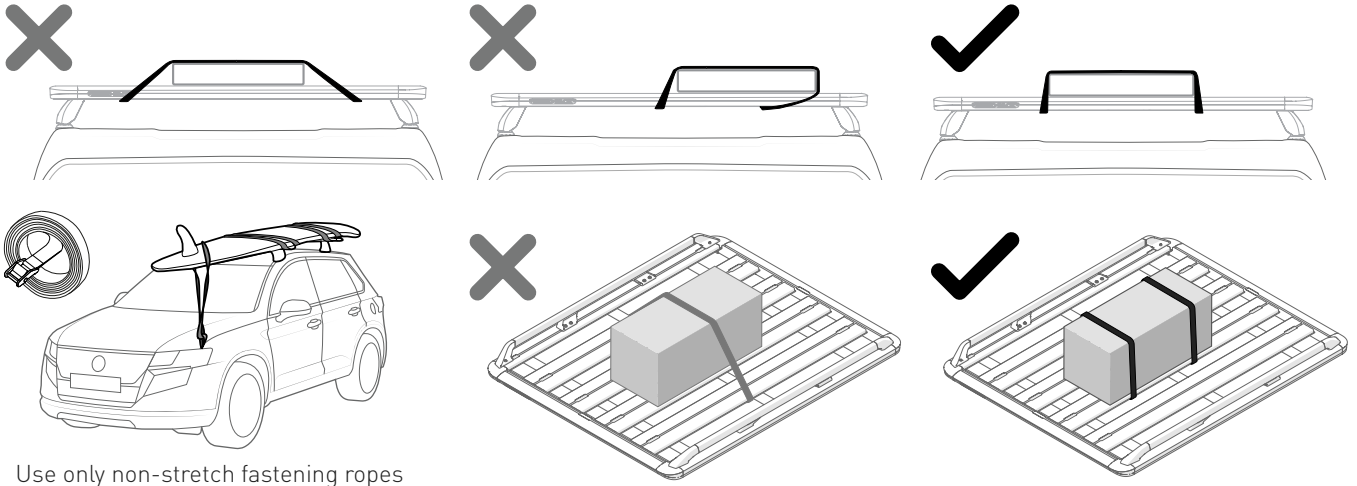


Warranty for roof rack system will be void if the front of the kayak is not secured to the bonnet

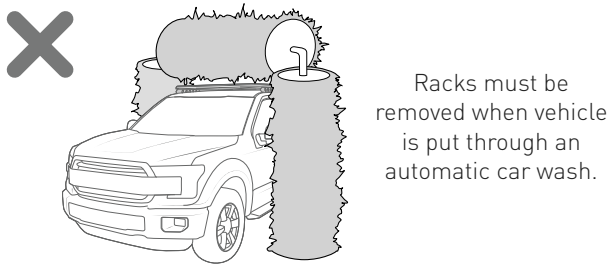


Tub/tray/canopys can move independently from the vehicle cabin.

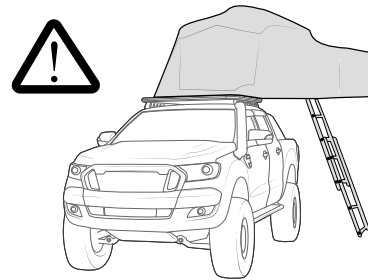
Rigidly fix to either the cabin roof racks **or** the tub/tray/canopy roof racks but not both simultaneously.



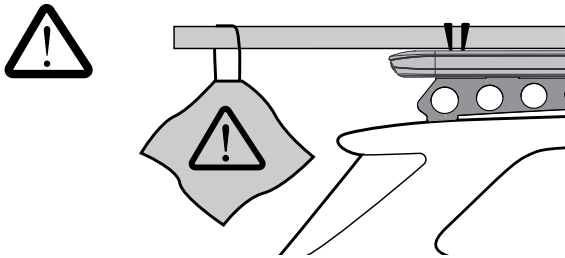
Use only non-stretch fastening ropes or straps to attach cargo to roof racks



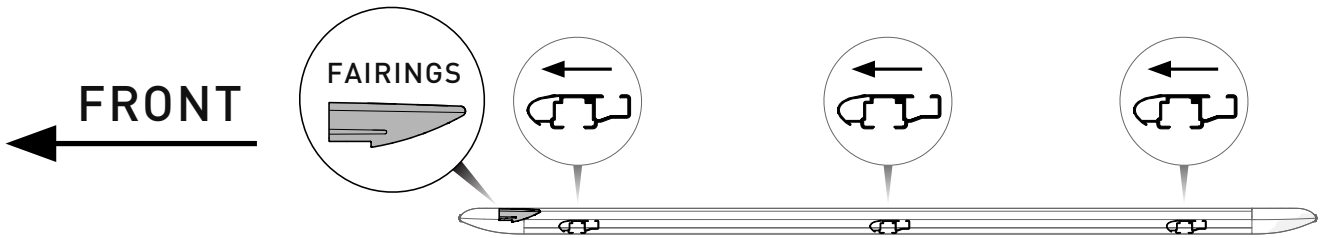
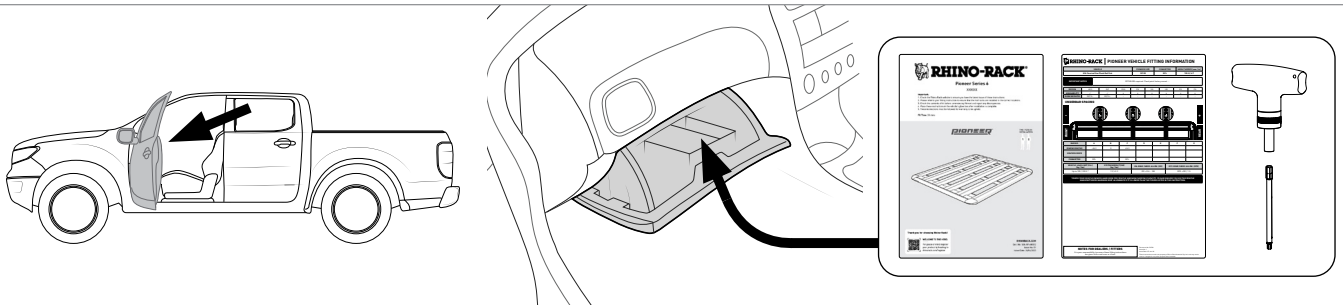
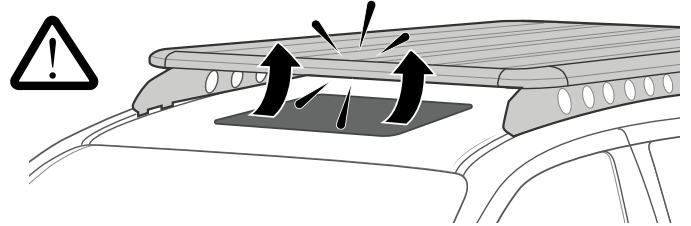
Racks must be removed when vehicle is put through an automatic car wash.



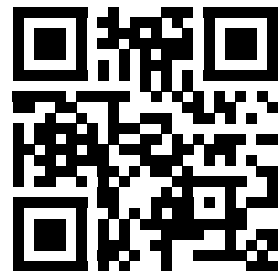
Ensure Ladder is well supported on the ground to support tent. Take extreme caution when climbing heights above 1.2m/4ft.



Ensure sunroof will not collide with roof rack system.

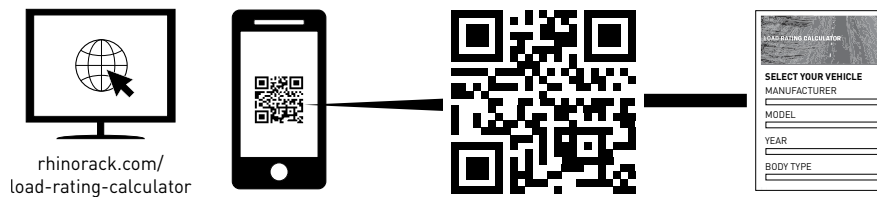


Youtube.com/Rhinorackaustralia



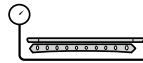
## Carrying Capacity

Check the website and the vehicle owners hand book for your vehicle manufacturer's maximum carrying capacity. Load must be evenly distributed over the system.



### Cargo Load Limit

Total permissible weight allowed on top, and attached to the rack whilst the vehicle is in motion.



### System Weight

Total weight of the rack system. (e.g. Crossbars, Backbone, Platform)



### Max System Load Capacity

Please ensure you use the vehicle manufacturer's maximum roof allowance if it is lower than the figure listed in the fitting chart/supplement.



### Vehicle Manufacturer's Load Limit

Total permissible weight attached to the rack. This is inclusive of the weight of the rack system.

## Warning

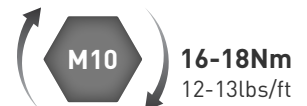
- Check part number or kit is correct for use with your vehicle.
- Do not attempt to fit the rack system to your vehicle unless you fully understand these fitting instructions. Please direct any questions regarding fitting to the dealer from where the roof racks were purchased.
- Off-road conditions can be much more rigorous. Extreme care must be taken on any driven path that does not contain a surface protection layer (tar/bitumen).
- Racks must be removed when vehicle is put through an automatic car wash.
- With utility/pick up vehicles, the cabin and the utility tray/truck bed move independently. Racks and vehicle can be damaged if the item transported is rigidly fixed at points on both the cabin and utility tray/truck bed. Instead, rigidly fix to either the utility tray/bed racks or the canopy roof racks.
- Always ensure you fasten your load securely.
- Use only non-stretch fastening ropes or straps to attach cargo to your load.

## In Service Maintenance Checks

- All bolt connections should be checked after driving a short distance when you first install your roof racks.
- All bolted connections should be checked again at regular intervals (weekly is recommended, depending on road conditions, usage, loads and distances travelled).
- All bolted connections should be checked each time they are re-fitted.
- Off-road conditions are more rigorous. Check all bolted connections and your load more regularly.
- Ensure that your vehicle manufacturer's GVM, and gross axle weights are not exceeded (refer to vehicle owner's manual).

### Torque Settings:

Unless stated otherwise in these instructions, all fasteners should be set to the following torque settings:



## Note for Dealers and Fitters

It is your responsibility to ensure these fitting instructions are given to the end user or client. These instructions remain the property of Rhino-Rack Australia Pty. Ltd. and may not be used or changed for any other purpose than intended.

## Warranty

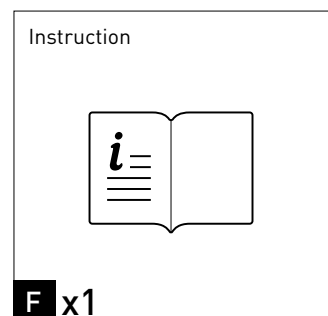
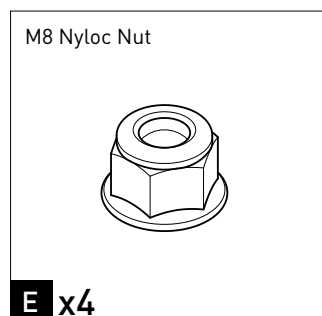
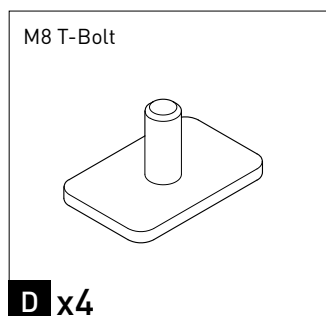
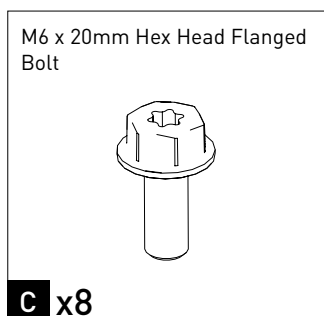
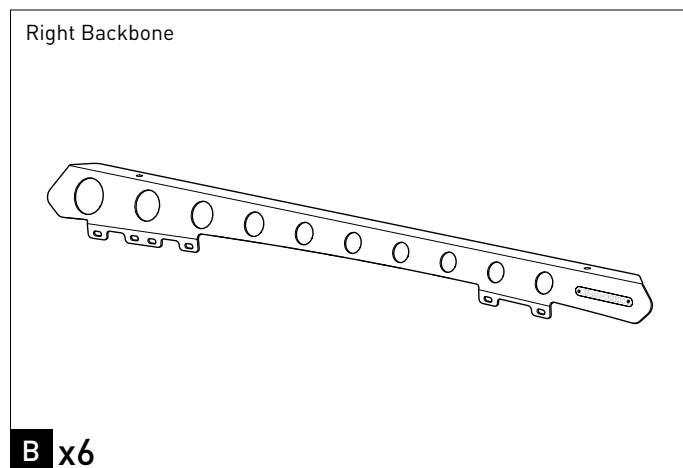
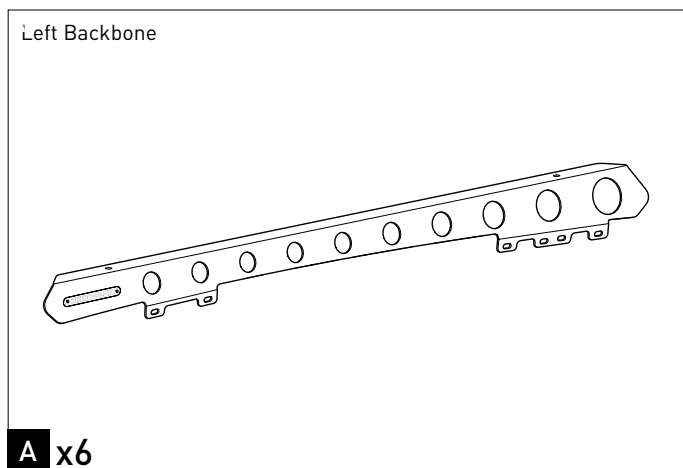
We love creating our products for you and hope you love using them too.

For complete peace of mind, register your product at [www.rhinorack.com/warranty](http://www.rhinorack.com/warranty).

This way, we can quickly help you with any future approved fitment warranty claims.

And remember – never to forget to **Make Space For Adventure!**

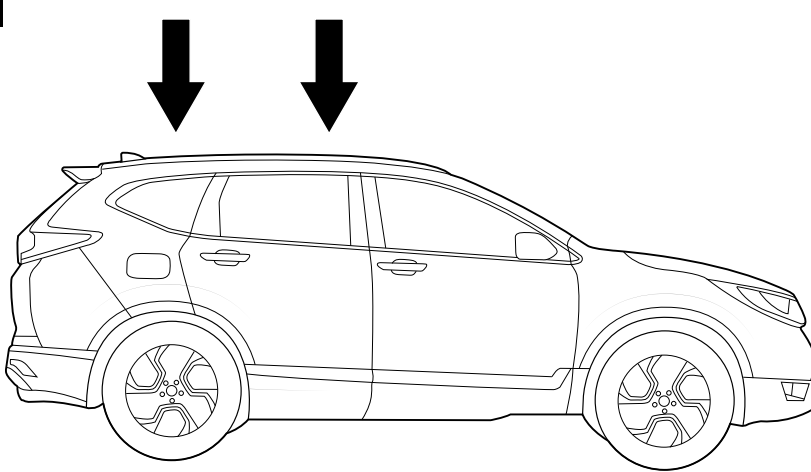
**Parts List**



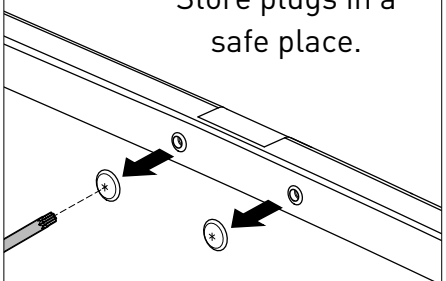
**TOOLS REQUIRED:**

- T1** - T27 Torx Key (For CR-V Gen6)
- T2** - T20 Torx Key (For CR-V Gen5)
- T3** - 10mm Ring Spanner (3/8") *OR* T30 Torx Key
- T4** - 13mm Socket Wrench + Torque Wrench

**1**



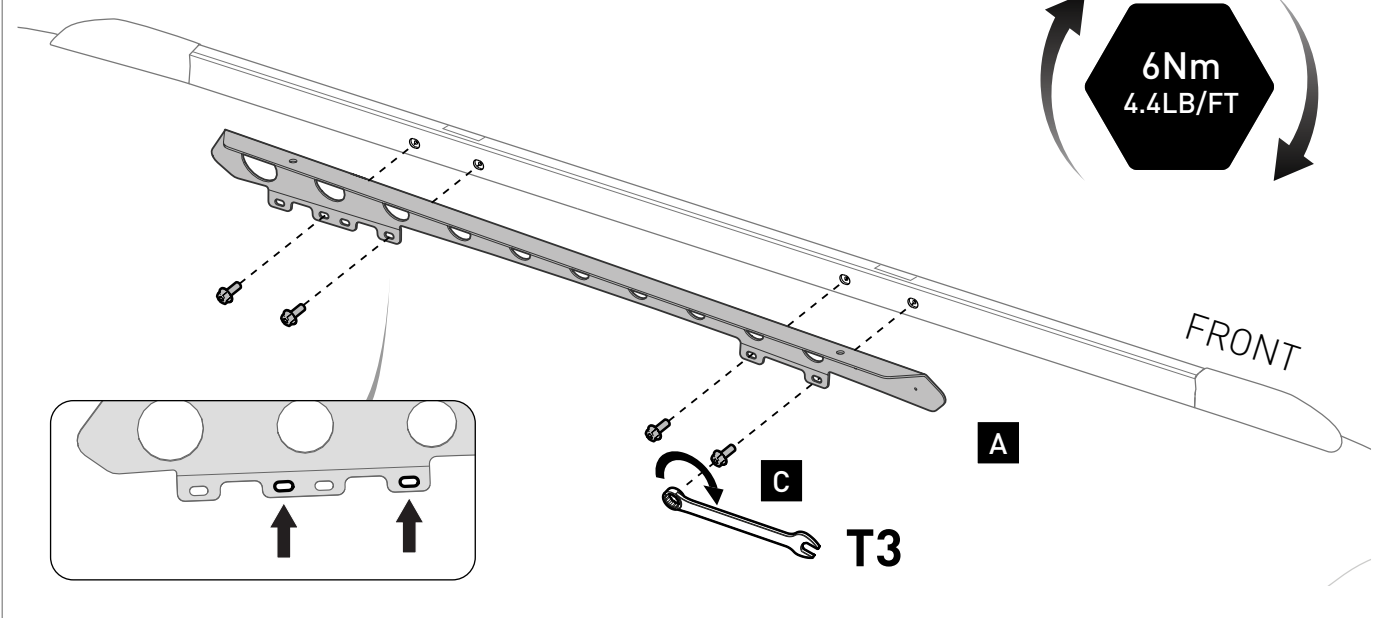
Store plugs in a safe place.



**T1** - For CR-V Gen6  
**T2** - For CR-V Gen5

**2** Repeat for both sides of vehicle.

**FOR GEN 5:**



**6Nm**  
**4.4LB/FT**

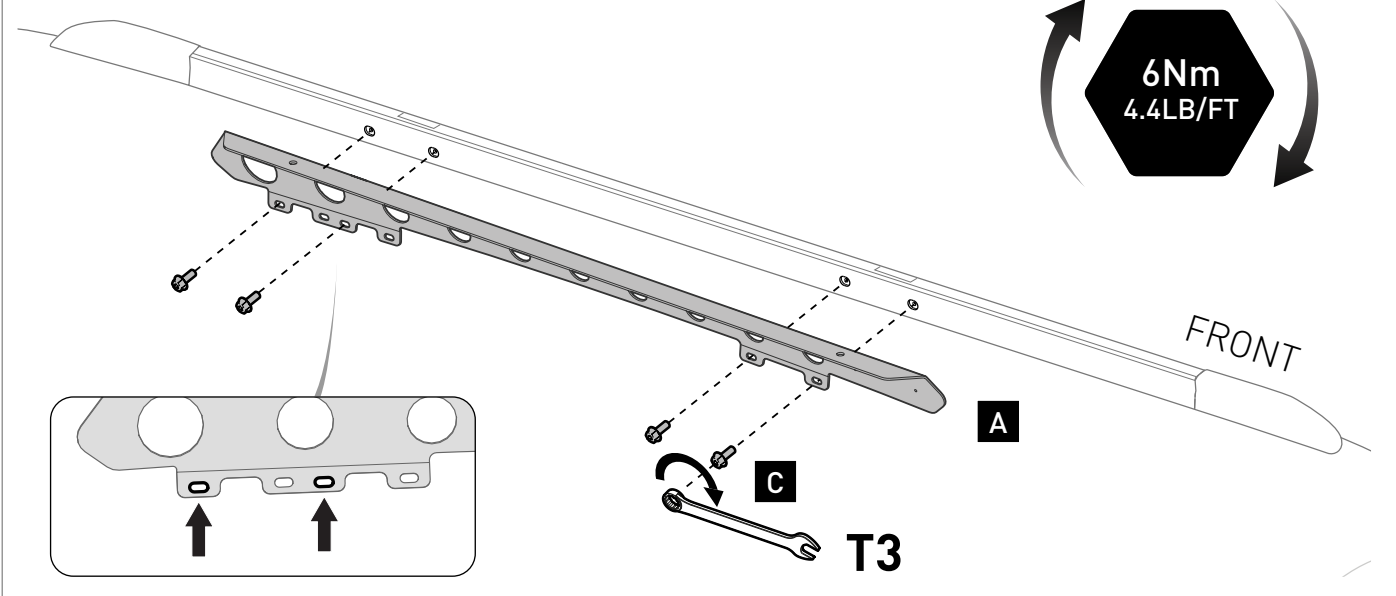
**T3**

**A**

**C**

FRONT

**FOR GEN 6:**



**6Nm**  
**4.4LB/FT**

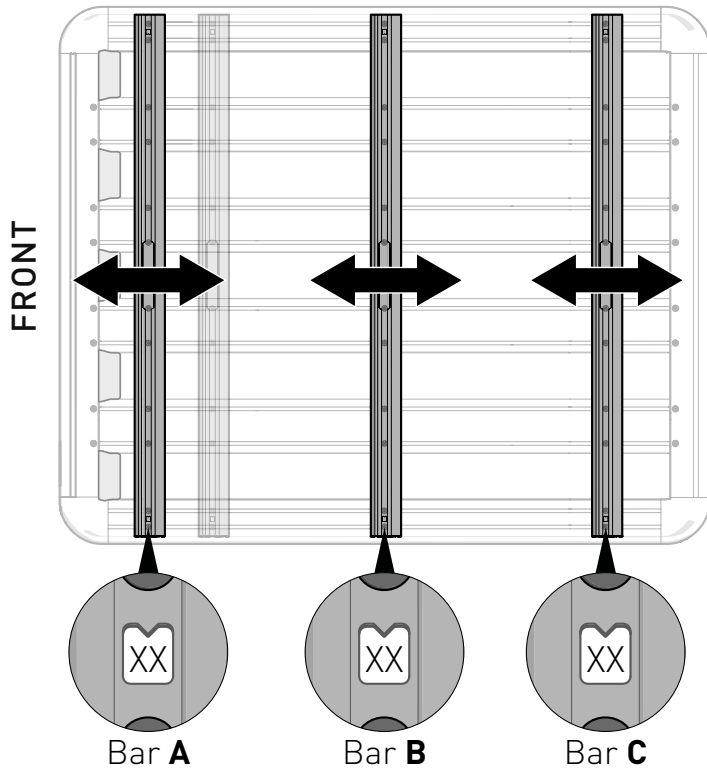
**T3**

**A**

FRONT

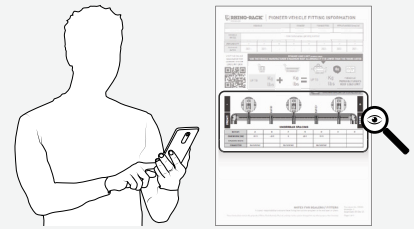
# PIONEER PLATFORM INSTALLATION *Refer to Pioneer Instructions*

3



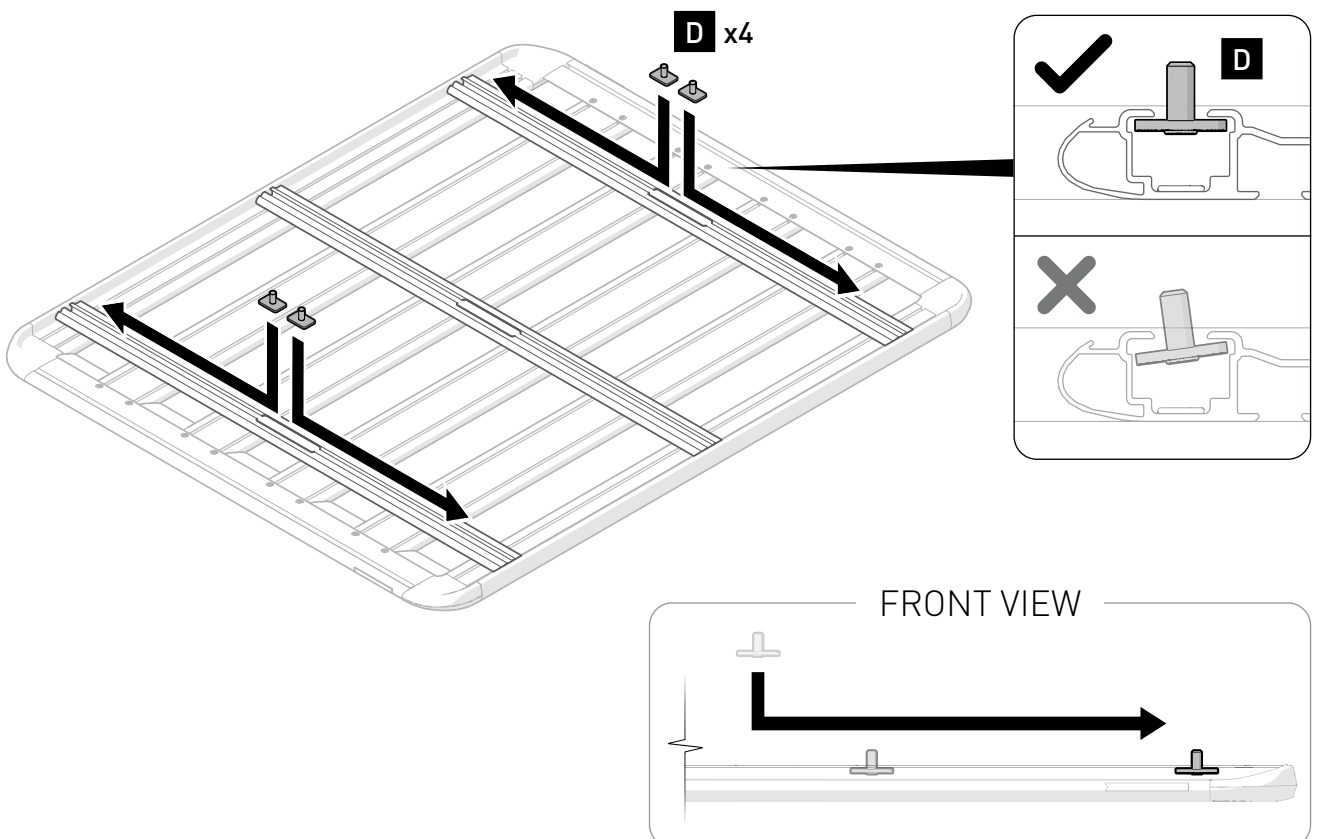
rhinorack.com/roof

1. Complete **Fit my vehicle** journey
2. Select your **Product Solution**
3. Scroll down to **'Product Details'**
4. Select the **'INSTRUCTIONS'** tab to View the Fitting Chart
5. Space your Underbars to the dimensions provided.



VIEW FIT CHART

4



5

