

R1875 Step 3,7 - Supplement: Ranger 12 on Aeroklas Buddy Canopy ARKT11

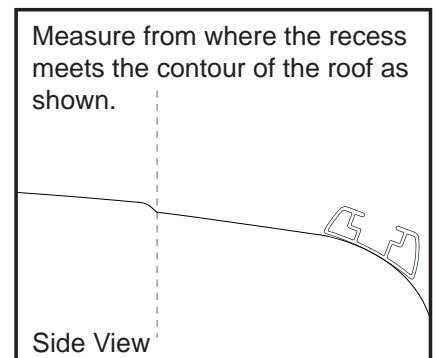
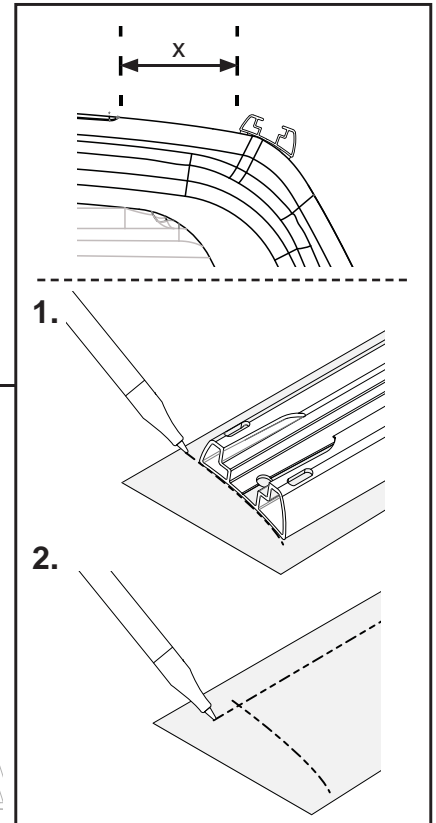
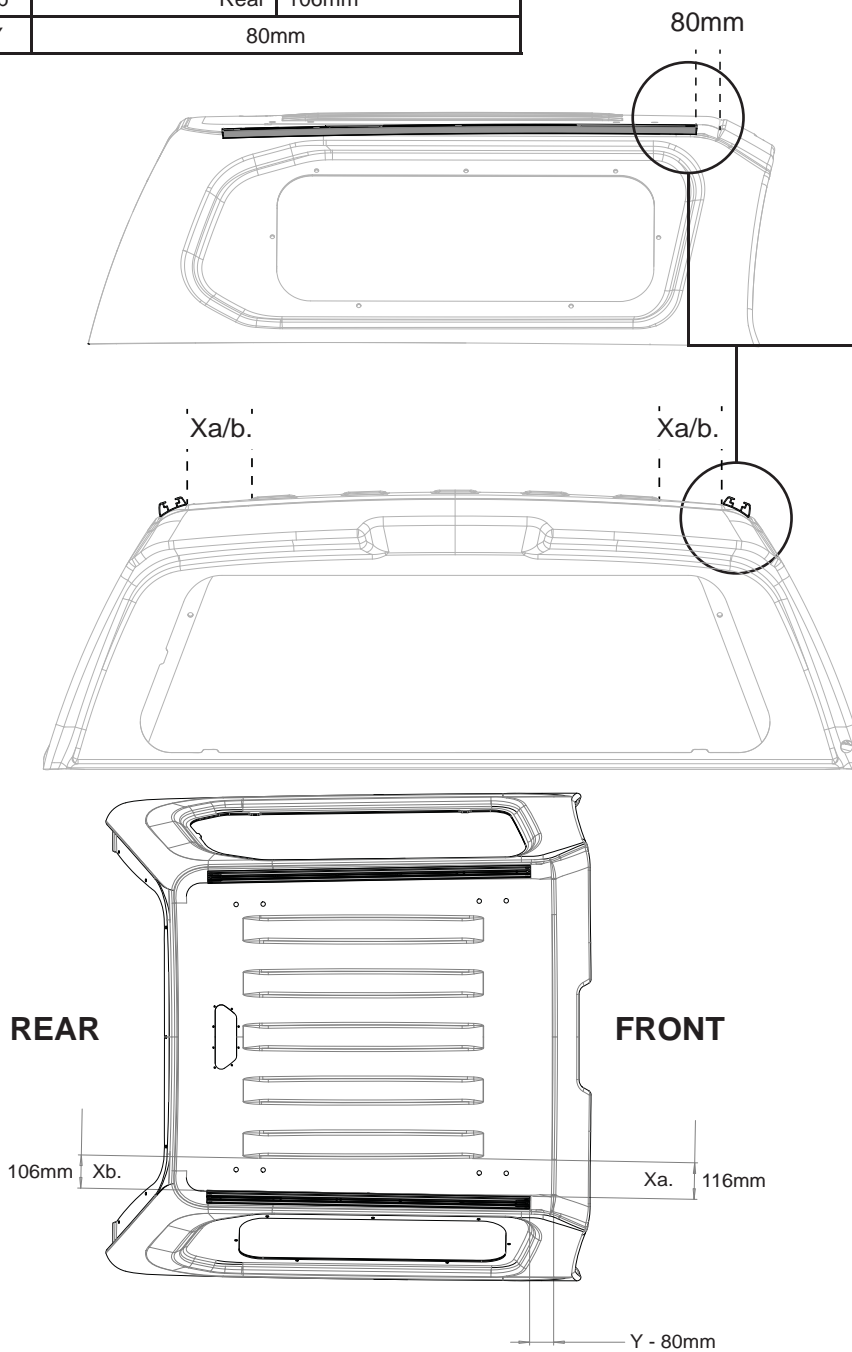
Ford Ranger Dual Cab 12 on.

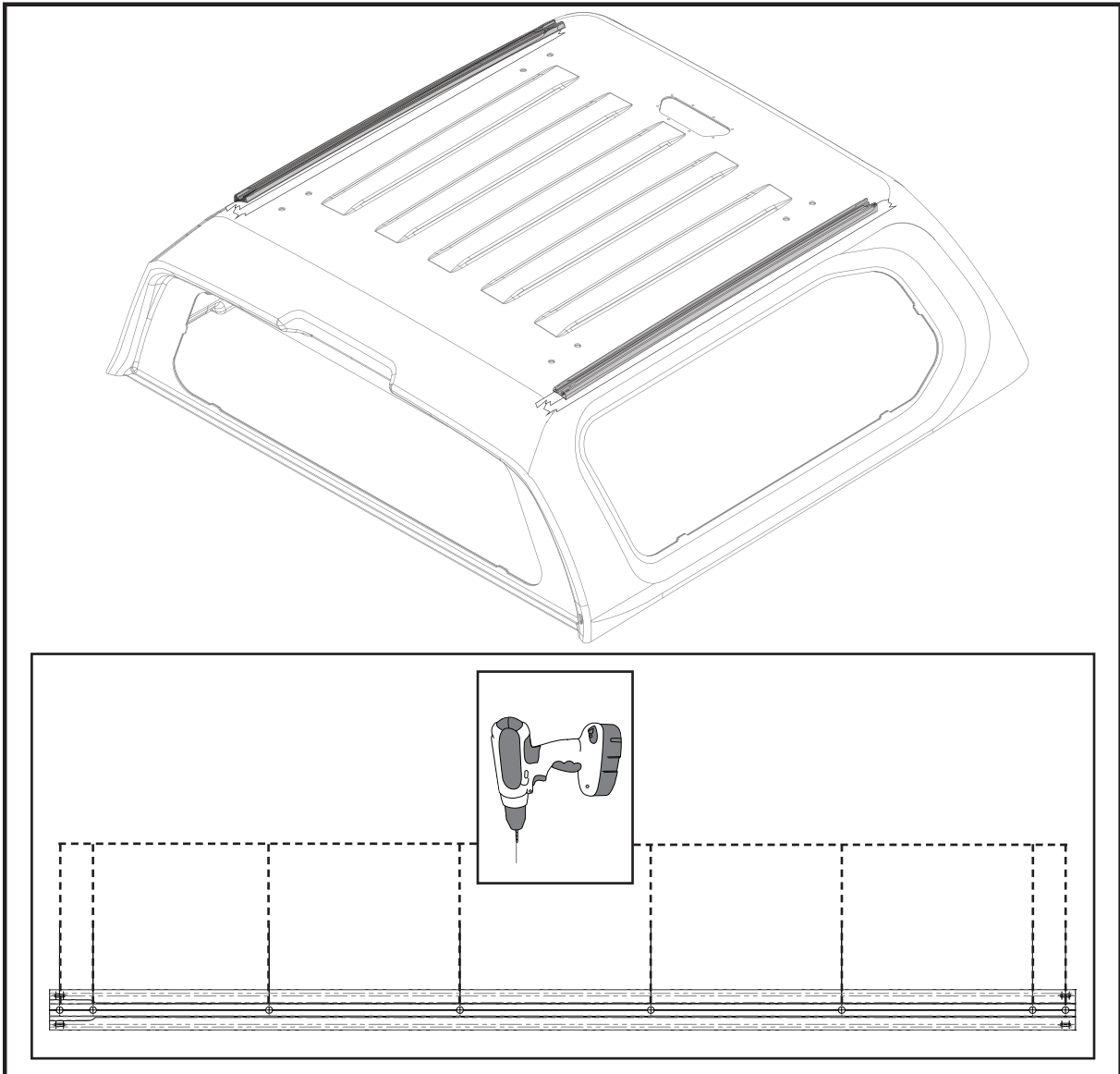
Position the track on the canopy roof so that it fits evenly outside the roof ridges. The aluminium track should be spaced 80mm (Y) from the front of the canopy, 116mm (Xa) from the outer most recess at the front, and 106mm (Xb) from the outer most recess at the rear. Mark a line on the canopy at the end of tracks. Remove tracks and with a straight edge, join lines to use as reference point.

IMPORTANT: Refer to table below for front & rear measurements prior to drilling. LOAD RATING: 80kg

Vehicle	Kits Used
Ranger 12 on	RCL4 (1) + RCP58-BK (1) + ARKB05 (2) + ARKT11 (1)

Ford Ranger Dual Cab 12 on		
Xa	Front	116mm
Xb	Rear	106mm
Y		80mm





Using a sharp $\text{\O}6.5\text{mm}$ bit, hold the drill perpendicular to the surface of the canopy, apply minimal pressure and proceed to drill. Make sure both the inner and outer skins are drilled through. Repeat process with an $\text{\O}8\text{mm}$ bit. Remove any swarf with a vacuum.