

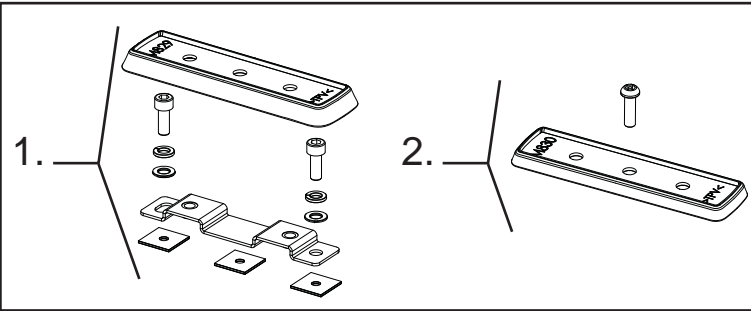


RHINO-RACK

CONTROLLED

QMFK18/QMFK19 - FIAT DOBLO SWB/LWB Low Roof includes VAUXHALL / OPEL Combo, RAM ProMaster City

Important: Please read these instructions carefully prior to installation.
Check the contents of this kit before commencing fitment and report any discrepancies.
Place these instructions in the vehicle's glove box after installation is complete.



Item	Kits	Qty	Part No.
1	Front & Rear Mounting Kit	-	QMFK18
2	Middle Mounting Kit	-	QMFK19
3	Instruction	1	R1136

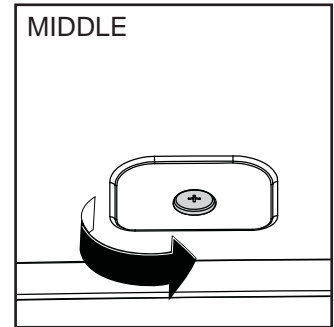
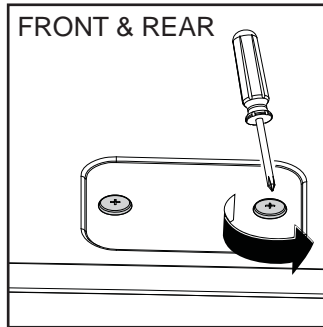
Tools Required:

- No.2 Philips Screwdriver
- 5mm Allen Key
- Cleaning Cloth

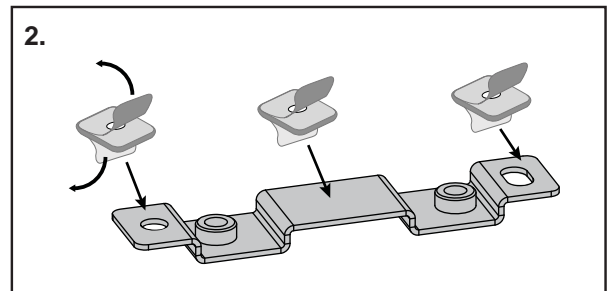
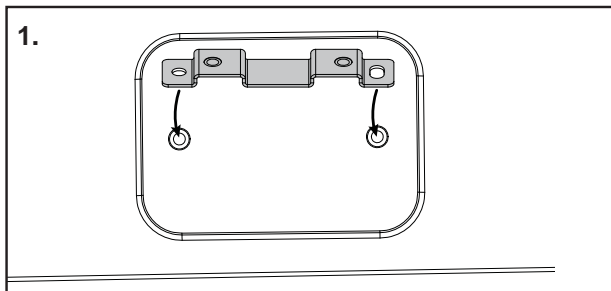
1 Locate the roof rack mounting points.

QMFK18 is used for Front & Rear.
QMFK19 is used for the Middle.

Only remove plugs for the positions you intend to use.

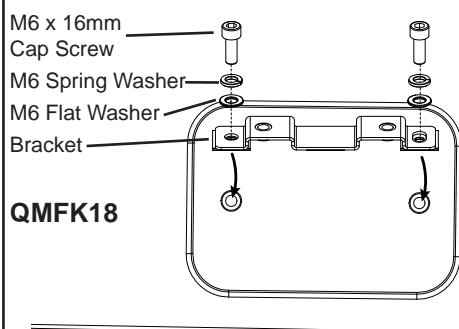


2 1. Perform a trial fit of the bracket to work out its final position parallel across the vehicle by utilising the slotted hole at one end, remove bracket. 2. Remove paper backing from Butyl Patches. Attach 1 x Butyl Patch over each end hole and 1 x Butyl Patch in the centre of each bracket.

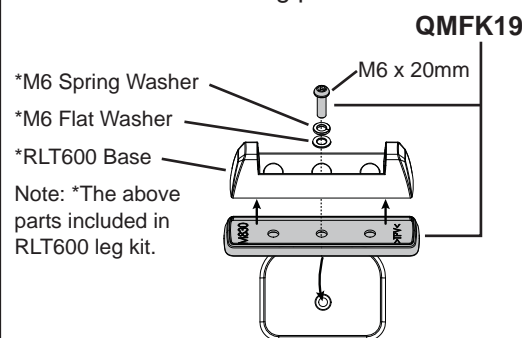


3 1. Position bracket over the M6 roof holes and locate using the M6 x 16 Socket Head screws with Spring and Flat Washers. 2. Attach the rubber skirt to RLT600 base before fastening to roof. 3. Brackets and Bases must be parallel across the vehicle to facilitate fitting of RLT600 legs and crossbars.

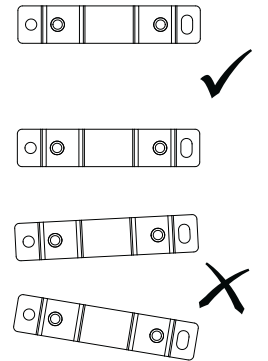
1. Front & Rear rack mounting points.



2. Middle roof mounting point.



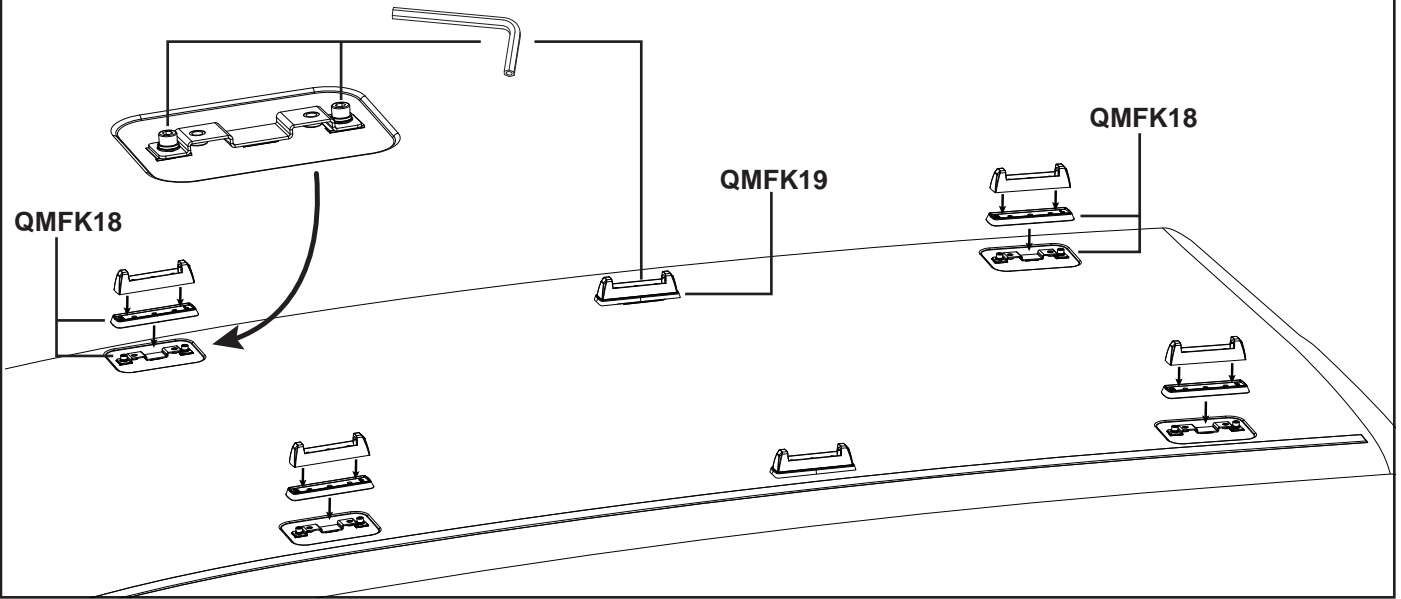
Parallel across vehicle





QMFK18 / QMFK19

4 Fasten all M6 screws to 3-4Nm using a 5mm Allen Key. Security Allen Key included in RLT600 kit. For Front & Rear rack mounts attach rubber skirt from **QMFK18** to RLT600 base. Fit RLT600 leg kit as per instruction.



Fit RLT600 and Crossbars as per instructions.

5 **FIAT DOBLO SWB Low Roof.**
Crossbar spacer arrangements for 3 bar Vortex and Heavy Duty Systems shown below.

