



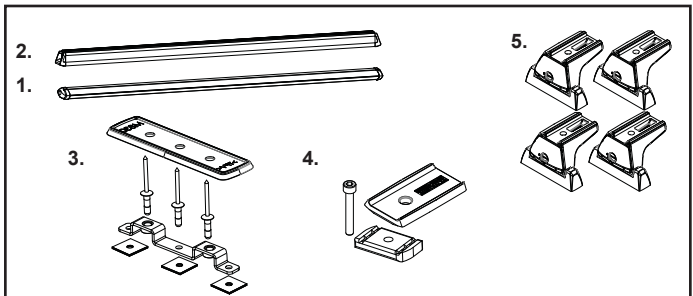
RHINO-RACK

Toyota Tacoma QMFK Fit Supplement

Important: Please read these instructions carefully prior to and during installation.
Check the contents of kit before commencing fitment and report any discrepancies.

Parts List

Item	Components	VA Qty	HD	Part No.
1	Vortex Crossbar	2	-	VA126S/B
2	Heavy Duty Crossbars	-	2	RB1250S/B
3	Quick Mount Roof Ditch Bracket	2	2	QMFK08
4	Quick Mount HD Spacer 5mm	-	2	QMHD05
5	Leg and Base Kit	1	1	RLT600
6	Fitting Instructions	1	1	R973

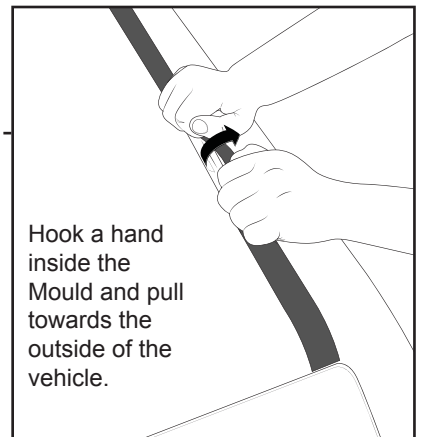
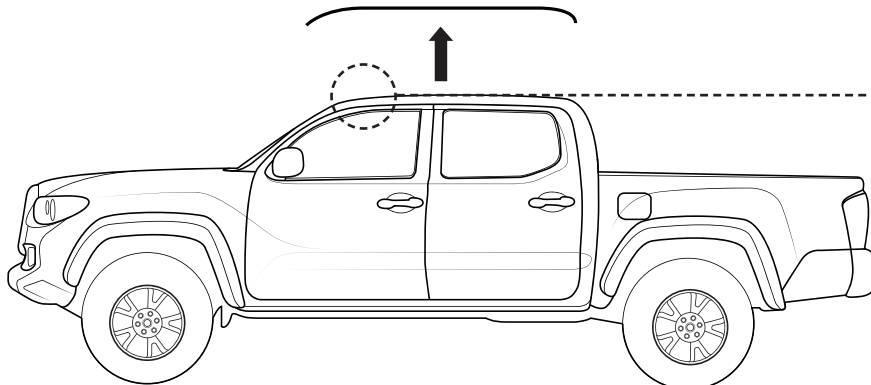


Note:
All 4 kits are sold as separate.
Ensure you have the required kits to complete your fitment.

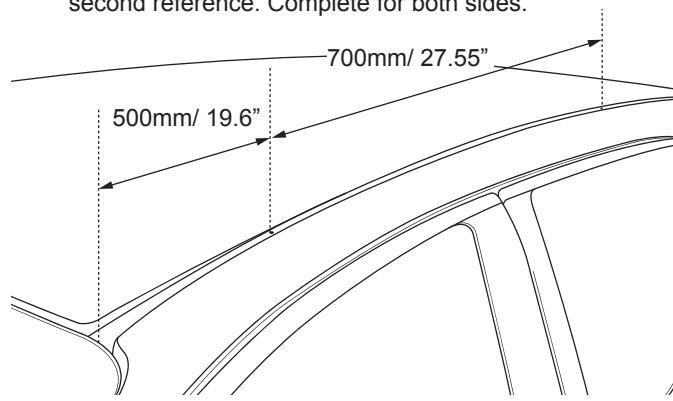
- Tools Required:**
- Masking tape
 - Marking Pen
 - Cold galvanising paint
 - 5-6mm Drill stop
 - Cotton buds
 - Tape measure
 - Power Drill
 - 5mm drill bit
 - Pneumatic Rivet Gun
 - Cutter

Instructions

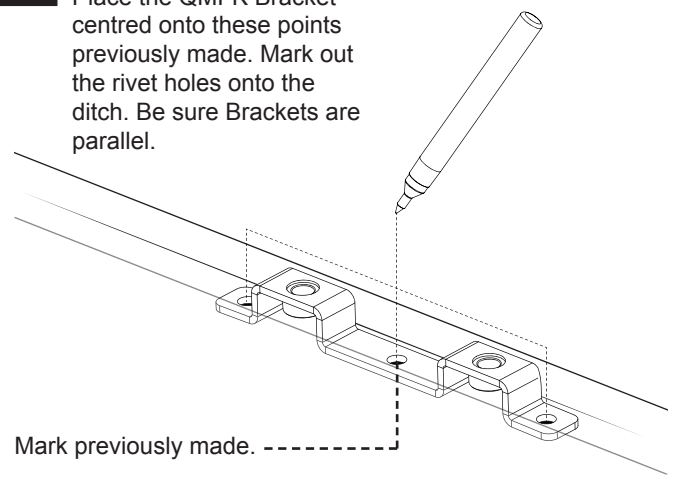
1 Starting at the front of the vehicle, carefully lift the Ditch Mould.



2 Measure back from the windshield 500mm (19.6") and create a reference point in the Ditch. Measure back a further 700mm (27.55") from this point and create a second reference. Complete for both sides.



3 Place the QMFK Bracket centred onto these points previously made. Mark out the rivet holes onto the ditch. Be sure Brackets are parallel.



Rhino-Rack
3 Pike Street, Rydalmere,
NSW 2116, Australia.
(Ph) (02) 9638 4744
(Fax) (02) 9638 4822

Document No: R973
Prepared By: Kayle Everett
Authorised By: Chris Murty

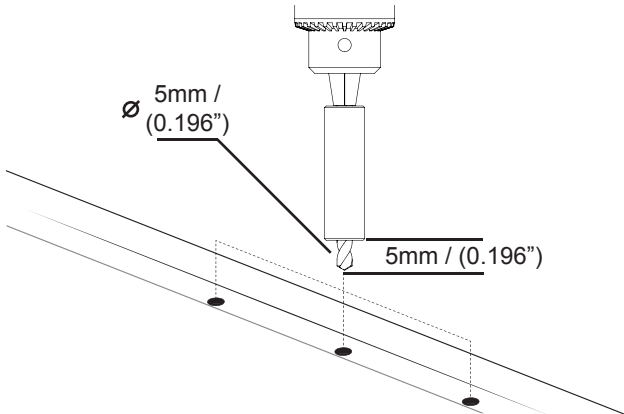
Fit Time: 1 Hour
Issue No: 02
Issue Date: 18/03/16

These instructions remain the property of Rhino-Rack Australia Pty. Ltd. and may not be used or changed for any other purpose than intended.

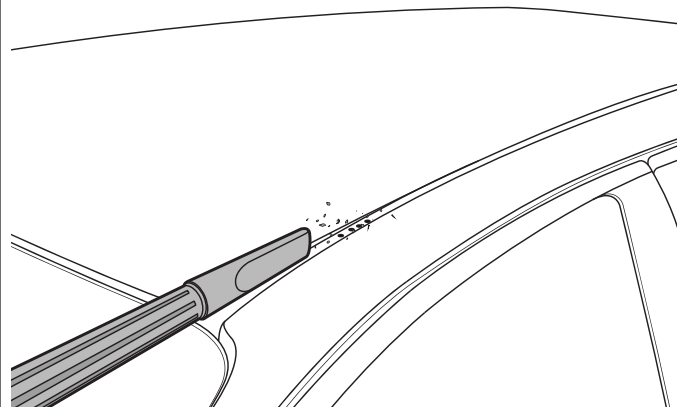


Toyota Tacoma QMFK Fit Supplement

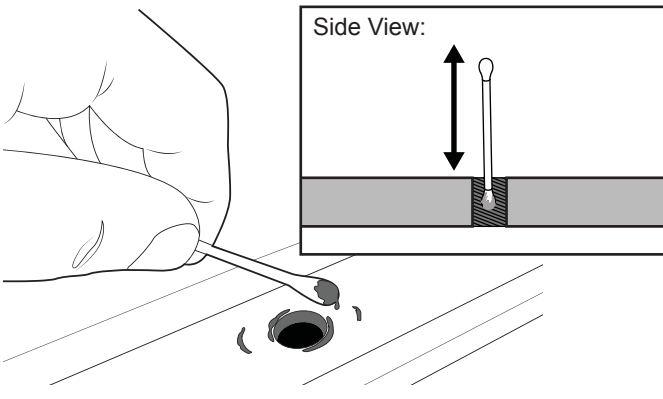
4 Drill out all marked holes with a 5mm (0.196") Drill Bit. Use a Drill Stop set to 5mm (0.196").



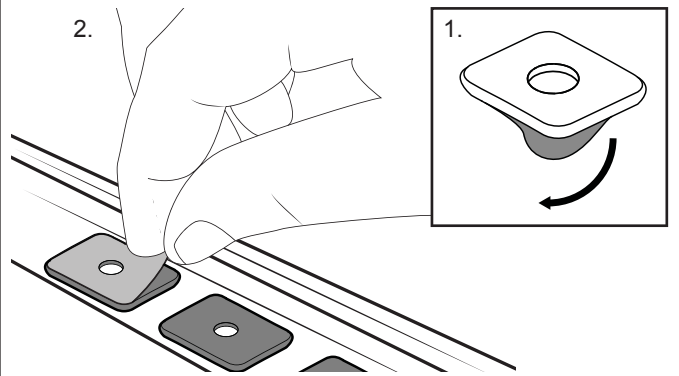
5 Vacuum and swarf from the roof ditch.



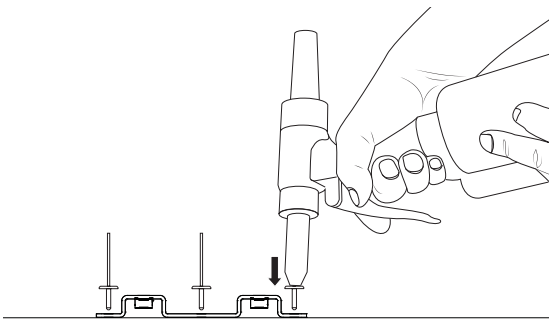
6 Using Cold Galvanising Paint, cover all drilled areas and any exposed body work.



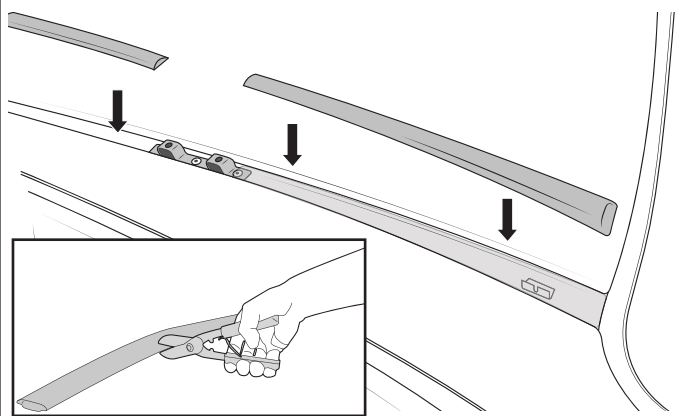
7 Peel off the one side of backing tape on the Butyl Patches provided. Place these carefully over all holes drilled. Remove the top layer of backing tape as shown.



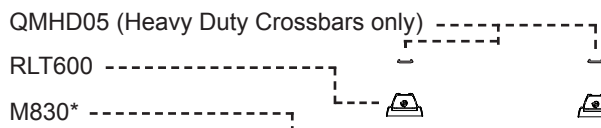
8 Press the Ditch Brackets into position over the drilled holes. Using a Pneumatic Rivet Gun, fix the Brackets in place with Rivets provided. Be sure Brackets are aligned correctly.



9 The Ditch Mould can be cut to fit around the Brackets seated to the vehicle.



10 Install leg kits as per corresponding instructions.



*M830 will sit on top of the installed Bracket and is optional. The Gasket will cover exposed areas of the Bracket and Ditch Mould. QMW05/10 used when fitting Pioneer Tray.

