

### DMAX Gen 3 Rear Roller Cover Fitting Supplement

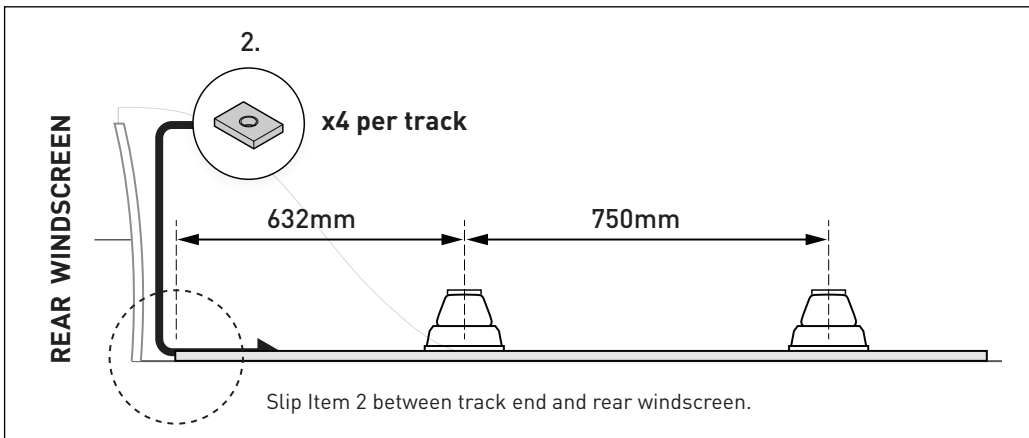
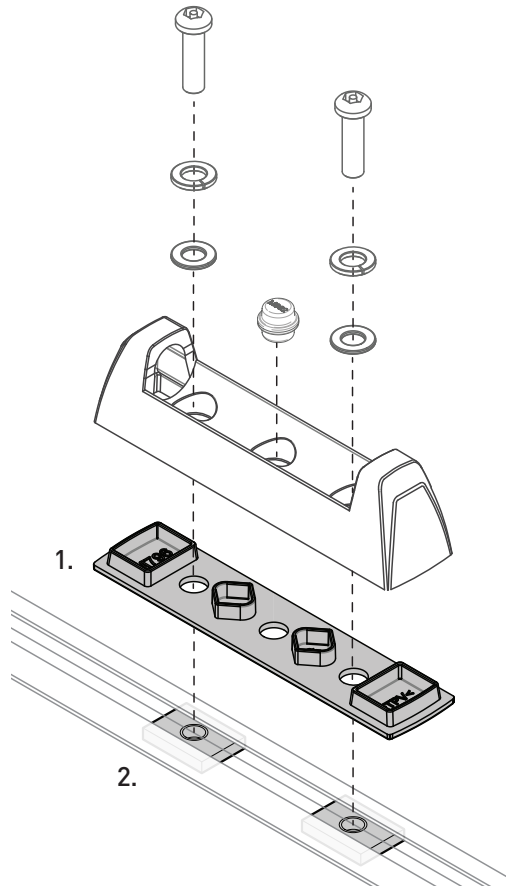
Item	Component Name	Qty
1	RLT600 Flat Base (from QMFK06)	4
2	M6 Nut w/ Foam (from QMFK01)	8

**Note:**

- Kit adapts RLT600 legs/bases to DMAX Roller cover tracks

VA BAR SPACERS		
	Front	Rear
D-MAX	X	X
X-Terrain	QMVA10	X

HD BAR SPACERS		
	Front	Rear
D-MAX	QMHD05	QMHD05
X-Terrain	QMHD15	QMHD05



### DMAX Gen 3 Rear Roller Cover Fitting Supplement

Item	Component Name	Qty
1	RLT600 Flat Base (from QMFK06)	4
2	M6 Nut w/ Foam (from QMFK01)	8

**Note:**

- Kit adapts RLT600 legs/bases to DMAX Roller cover tracks

VA BAR SPACERS		
	Front	Rear
D-MAX	X	X
X-Terrain	QMVA10	X

HD BAR SPACERS		
	Front	Rear
D-MAX	QMHD05	QMHD05
X-Terrain	QMHD15	QMHD05

