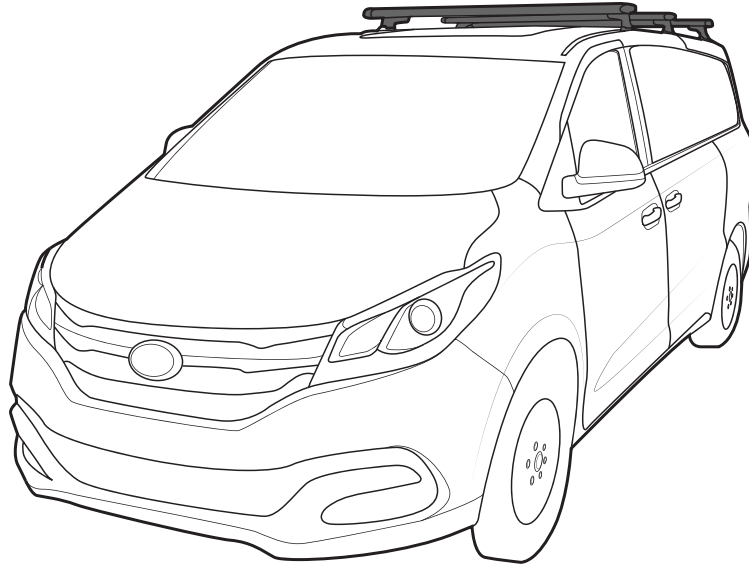




# RHINO-RACK

## LDV G10 Quick Mount Fit Kit



**Important:** Please read these instructions carefully prior to installation.  
Check the contents of this kit before commencing fitment and report any discrepancies.  
Place these instructions in the vehicle's glove box after installation is complete.

### Important Information

**Maximum carrying capacity: 100kg (220lbs) evenly distributed over all crossbars. Please refer to your vehicle manufacturers handbook for maximum carrying capacity of your roof racks. Always use the lower of the two figures.**

Maximum permissible load is 100kg (220lbs) including the weight of the roof bars, 5kg (11lbs). When roof racks are to be used in off-road conditions, please build a safety factor of 1.5 into this load limit and reduce the load limit to 66kg (145lbs). Although the roof racks are tested and approved to AS1235-2000, road conditions can be much more rigorous. However, increasing the number of crossbars does not increase the vehicles maximum permissible roof loading.

Do not attempt to fit the Crossbars to your vehicle unless you fully understand this fitting instructions. Please direct any questions regarding fitting to the dealer from where the kit was purchased.

**Use only non-stretch fastening ropes or straps.**

#### Recommendations:

It is essential that all bolt connections be checked after driving a short distance when you first install your roof racks. Bolt connections should be checked again at regular intervals (once a week is enough, depending on road conditions, usage, loads and distances travelled). You should also check the roof racks each time they are re-fitted. Always make sure to fasten your load securely. Please also ensure that all loads are evenly distributed and that the centre of gravity is kept as low as possible. Long loads (e.g. canoes and kayaks) must be secured front and rear with non-stretch fastening ropes or straps.

**Roof racks must be removed when putting vehicle through an automatic car wash.**

**Caution:** The handling characteristics of the vehicle changes when you transport a load on the roof. For safety reasons we recommend you exercise extreme care when transporting wind-resistant loads. Special consideration must be taken into account when cornering and braking.

#### Note for Dealers and Fitters:

It is your responsibility to ensure these fitting instructions are given to the end user or client.

Rhino-Rack Australia Pty Ltd  
3 Pike Street, Rydalmere,  
NSW 2116, Australia.

(Ph) (02) 9638 4744  
(Fax) (02) 9638 4822

Document No: R755

Prepared By: Craig Jones

Authorised By: Chris Murty

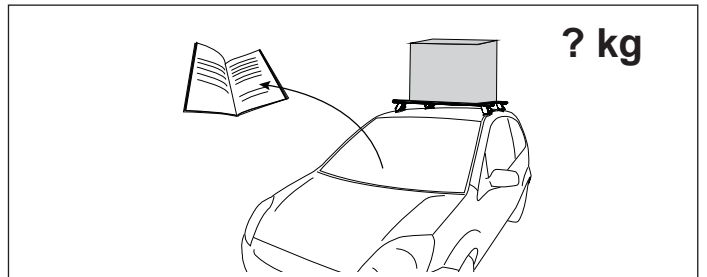
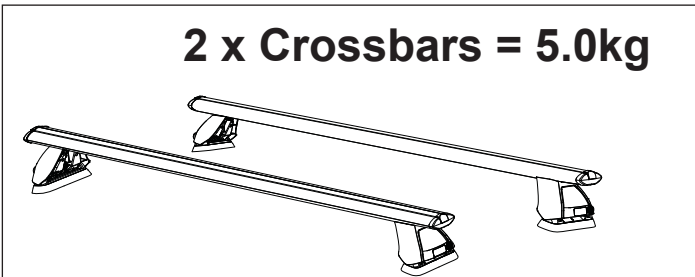
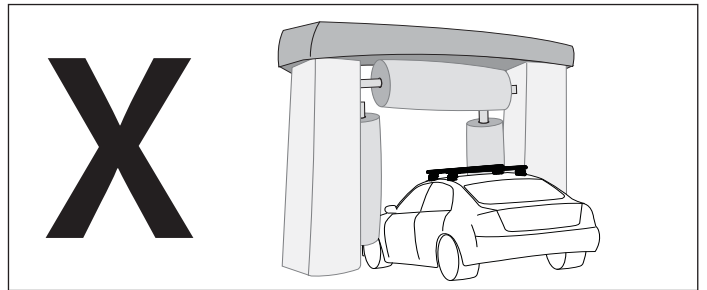
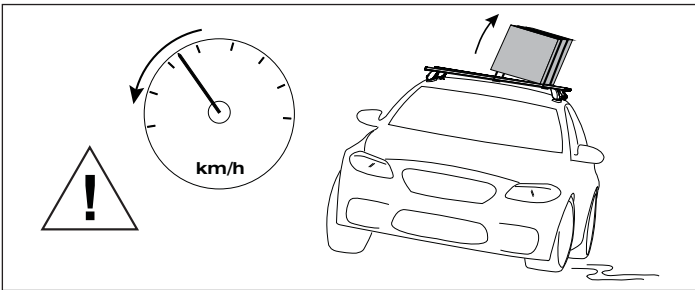
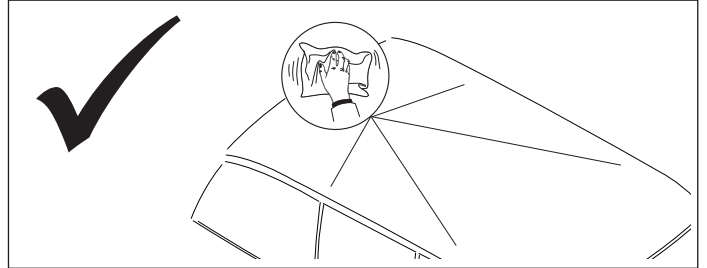
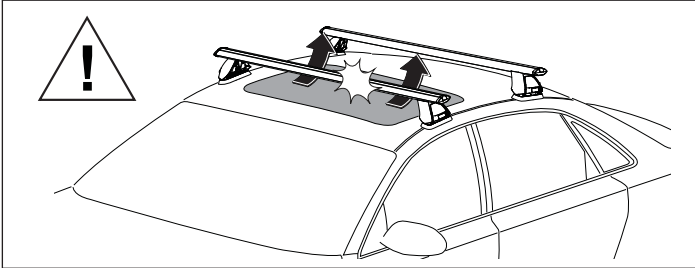
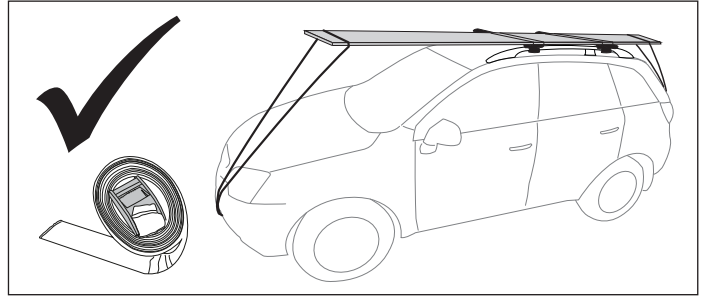
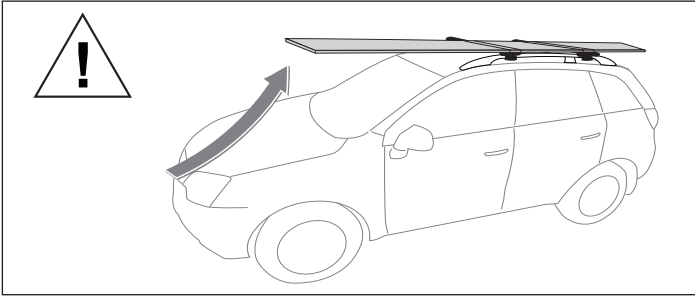
Issue No: 03

Issue Date: 12/10/2017

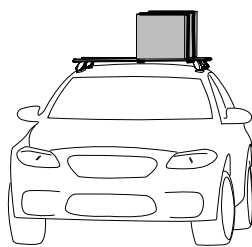
These instructions remain the property of Rhino-Rack Australia Pty Ltd and may not be used or changed for any other purpose than intended.



# LDV G10 Quick Mount Fit Kit



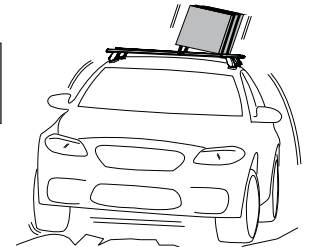
When these roof racks are to be used on a vehicle that is driven off sealed roads, the manufacturer maximum roof load rating (to be found in the vehicles User Manual) should be **divided by 1.5**. Do not forget to subtract the Crossbars from your maximum carrying capacity due to the weight of the crossbars and legs.



**100kg (220lbs)**  
(Urban Road)

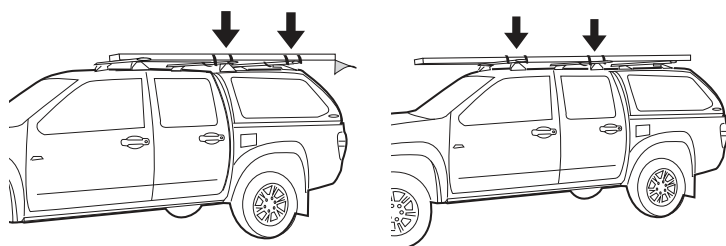
**=**

**66kgs (145lbs)**  
(Off Road)

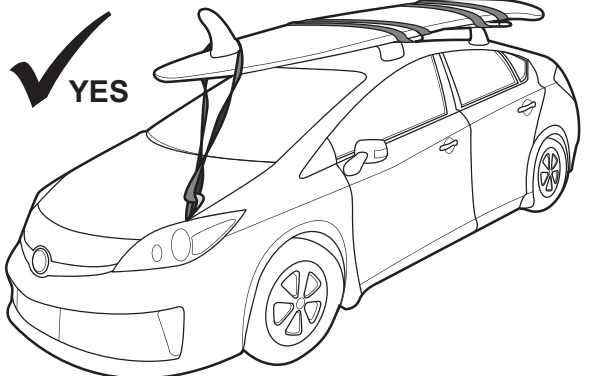


## WARNING! Important Load Carrying Instructions

With utility vehicles, the cabin and the canopy move independently. Roof racks and vehicle can be damaged if the item transported is rigidly fixed at points on both the cabin and canopy. Instead, rigidly fix to either the cabin roof racks or the canopy roof racks.



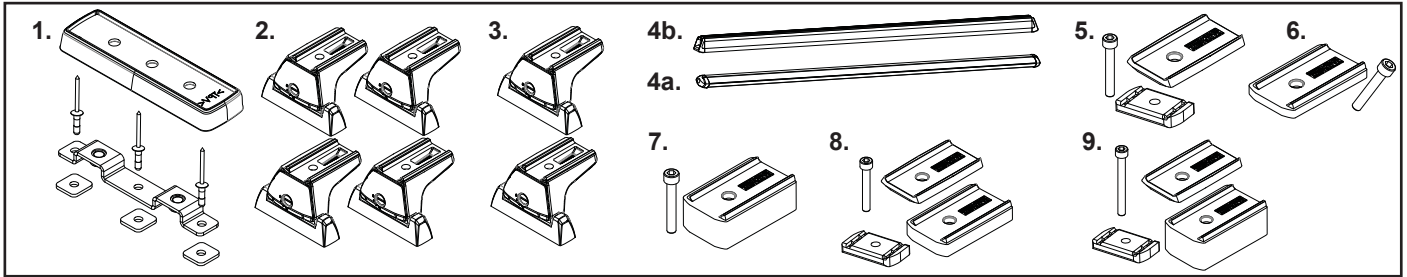
Paddle/ Surfboards should be fixed to the front of the vehicle.





# LDV G10 Quick Mount Fit Kit

## Parts List 2 & 3 Crossbars



Item	Vortex Crossbars	Qty 2 Bar	Qty 3 Bar	Part No.
1	Quick Mount Fit Kit	2	3	QMFK15
2	Leg Kit	1	1	RLT600
3	Leg Kit Half	-	1	RLT600H
4a	Vortex Crossbars	2	3	VA137B or VA137S
6	Quick Mount 10mm VA Spacer	-	1	QMVA10
7	Quick Mount 25mm VA Spacer	-	1	QMVA25
10	Fitting Instruction	1	1	R755
Item	Heavy Duty Crossbars	Qty 2 Bar	Qty 3 Bar	Part No.
1	Quick Mount Fit Kit	2	3	QMFK15
2	Leg Kit	1	1	RLT600
3	Leg Kit Half	-	1	RLT600H
4b	Heavt Duty Bars	2	3	RB1375B or RB1375S
5	Quick Mount HD 5mm Spacer	2	1	QMHD05
8	Quick Mount HD 15mm Spacer	-	1	QMHD15
9	Quick Mount HD 30mm Spacer	-	1	QMHD30
10	Fitting Instruction	1	1	R755

### Tools Required:

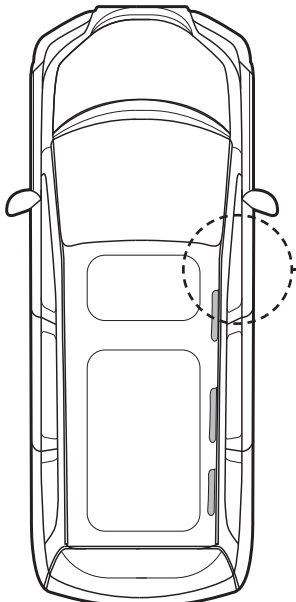
- Pneumatic rivet gun
- Power Drill
- 5mm drill bit & Drill stop
- Cold Galvanising Paint
- Cotton buds
- Tape measure
- Hacksaw or angle grinder
- Masking tape & Marking pen
- Vacuum cleaner
- Cleaning rags

### Note:

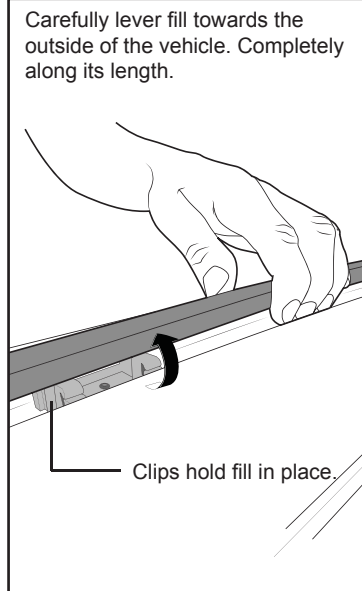
All kits are sold as separate. Ensure you have the required kits to complete your fitment.

## Instructions

- 1 Move to the roof of the vehicle and locate the ditch fill. Carefully hook fingers under the inside of the fill towards the front of the vehicle. Carefully lever towards the outside of the vehicle. Remove the entire fill from the vehicle without breaking the clips as it will be used later. Clean the roof ditch with a damp cloth.

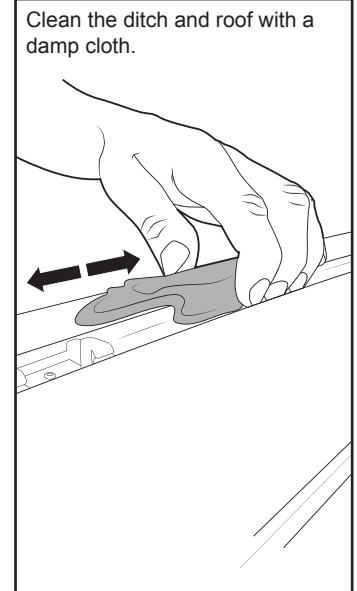


Locate the front section of the ditch fill.



Carefully lever fill towards the outside of the vehicle. Completely along its length.

Clips hold fill in place.



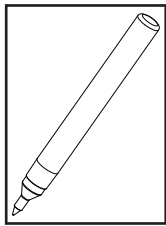
Clean the ditch and roof with a damp cloth.



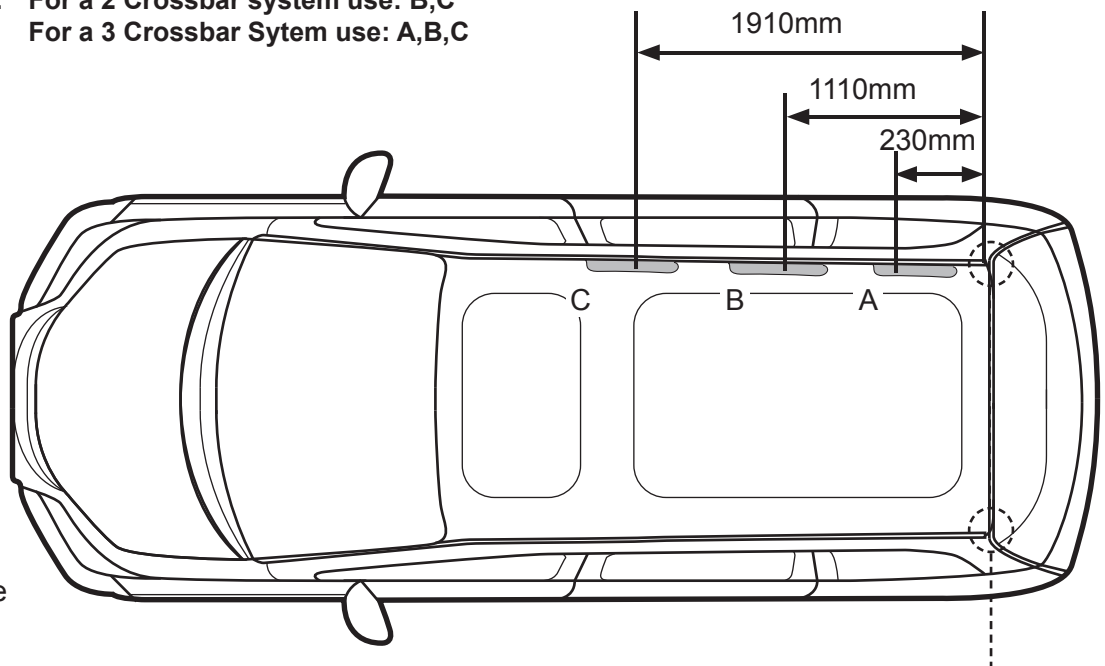
## LDV G10 Quick Mount Fit Kit

- 2** Start at the rear of the roof ditch from the point indicated (**fig-a**). Apply masking tape to the inner edge of the roof ditch then mark reference lines at the measurements shown below. **These marks denote the centre of each QMFK03 bracket.** Repeat for both sides of the vehicle.

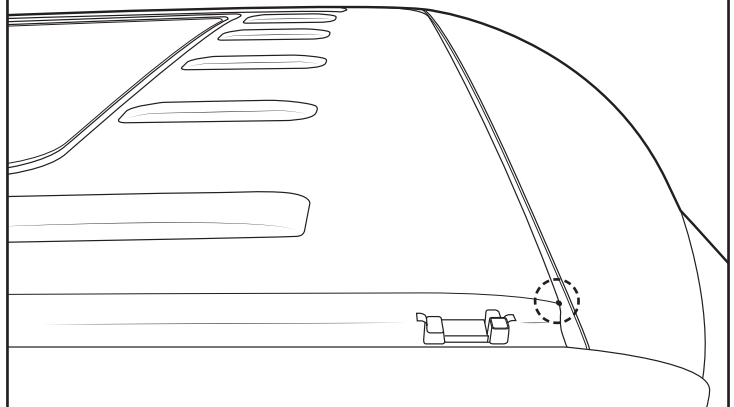
**Brackets Note:** For a 2 Crossbar system use: B,C  
For a 3 Crossbar System use: A,B,C



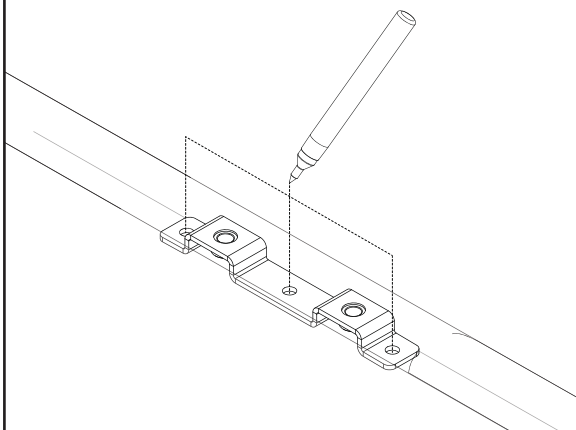
Note: Not to scale



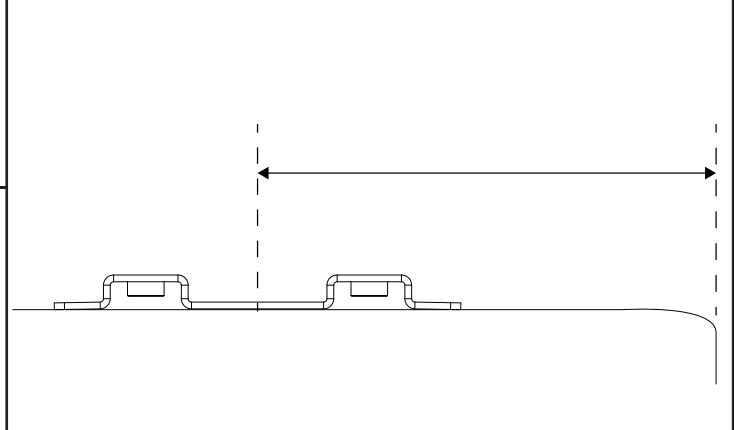
**(fig-a):** Measure from this corner point of the roof ditch.



Mark all three rivet holes in each Bracket.



Measurements go to the centre of the Brackets as shown.



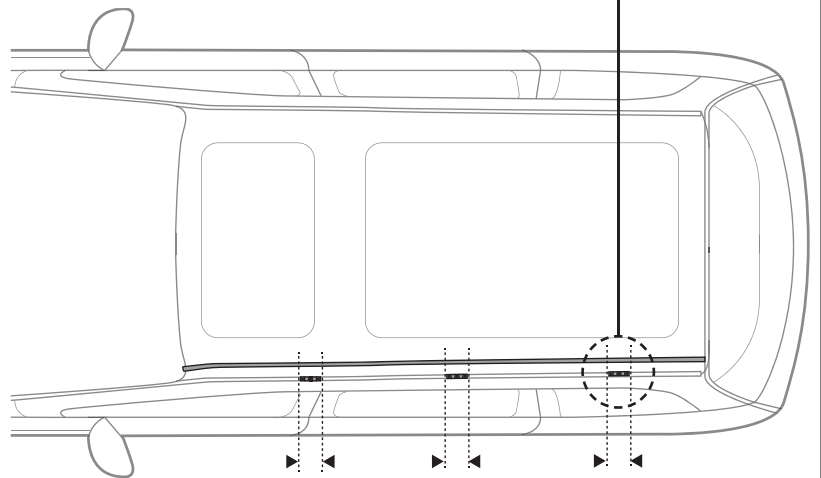
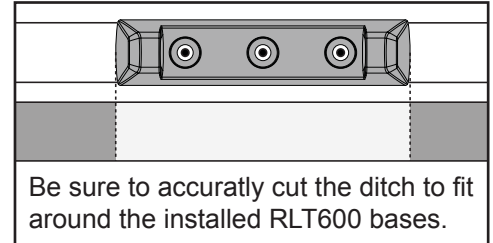
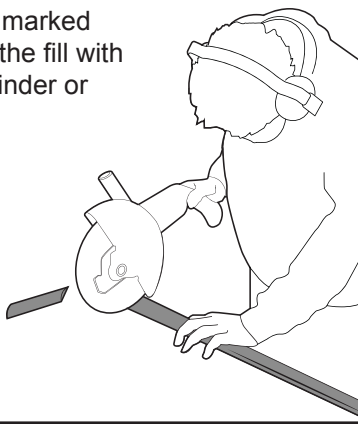
- 3** Install QMFK03 kit as per instructions. Install the RLT600 bases as per instructions.



## LDV G10 Quick Mount Fit Kit

- 4** Lay the ditch fill alongside the roof ditch aligning it with the front and rear of the vehicle for accurate measurement. Mark the locations of the installed brackets/ bases onto the ditch fill. Cut out the marked sections of the ditch fill. Replace the ditch fill in between each RLT600 base. Re-check measurements before cutting.

Cut out the marked sections of the fill with an angle grinder or hacksaw.



Carefully clip the sections of ditch fill back into the ditch between the RLT600 bases.

