

RHINO-RACK®

Ford Ranger P703 / Volkswagen Amarok Gen 2

DOUBLE Cab **Two Bar** Installation

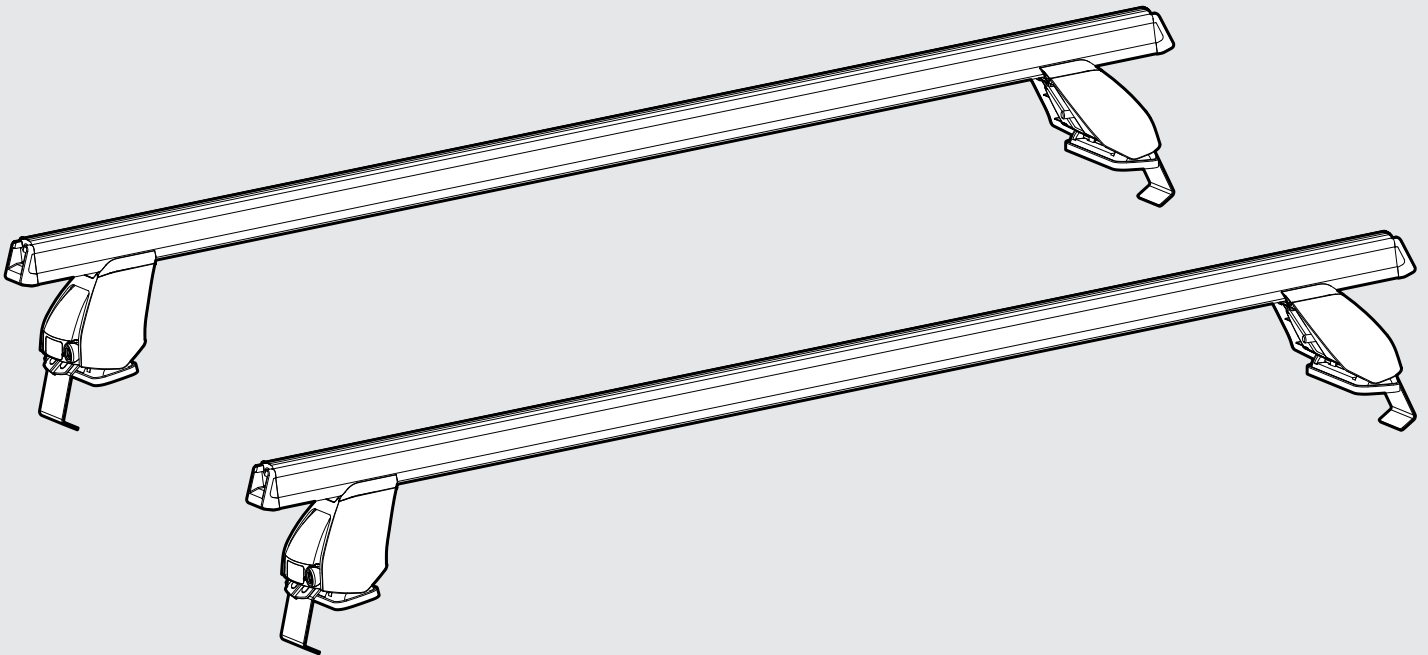
RLKHD

Important:

1. Check the Rhino-Rack website to ensure you have the latest issue of these instructions.
2. Please refer to your fitting instruction to ensure that the roof racks are installed in the correct locations.
3. Check the contents of kit before commencing fitment and report any discrepancies.
4. Place these instructions in the vehicle's glove box after installation is complete.
5. These instructions must be followed for warranty to be upheld.

Fit Time: 1 hour

NOTE: This Fitting Instruction supersedes all instructions when installing 2500 series legs onto the FORD Ranger P703 and VOLKSWAGEN Amarok Gen 2



RHINORACK.COM

Document No: 520-RFI-00110


Issue No: 02

Issue Date: 24/01/2024

Carrying Capacity

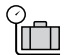




Check the website and the **vehicle owners hand book** for your vehicle manufacturer's maximum carrying capacity. Load must be evenly distributed over the system.

FORD RANGER (excluding RANGER RAPTOR) & VOLKSWAGEN AMAROK GEN 2

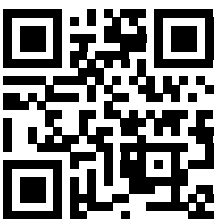


VISIT THE ONLINE CALCULATOR FOR CURRENT SYSTEM LOAD LIMIT DATA

DYNAMIC LOAD LIMIT:
*USE THE VEHICLE MANUFACTURER'S MAXIMUM ROOF ALLOWANCE IF IT IS LOWER THAN THE FIGURE LISTED

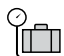




 CARGO	 SYSTEM WEIGHT	 LOAD LIMIT
UP TO 80 KG 177 lbs	+ 5 KG 11 lbs =	UP TO 85 KG 188 lbs
		  *VEHICLE MANUFACTURER'S ROOF LOAD LIMIT

FORD RANGER RAPTOR



VISIT THE ONLINE CALCULATOR FOR CURRENT SYSTEM LOAD LIMIT DATA

DYNAMIC LOAD LIMIT:
*USE THE VEHICLE MANUFACTURER'S MAXIMUM ROOF ALLOWANCE IF IT IS LOWER THAN THE FIGURE LISTED

 CARGO	 SYSTEM WEIGHT	 LOAD LIMIT
UP TO 75 KG 165 lbs	+ 5 KG 11 lbs =	UP TO 80 KG 176 lbs
		  *VEHICLE MANUFACTURER'S ROOF LOAD LIMIT



Cargo Load Limit

Total permissible weight allowed on top, and attached to roof racks whilst the vehicle is in motion.



System Weight

Total weight of the roof rack system. (e.g. Crossbars, Backbone, Platform)



Max System Load Capacity

Please ensure you use the vehicle manufacturer's maximum roof allowance if it is lower than the figure listed in the fitting chart/supplement.



Vehicle Manufacturer's Load Limit

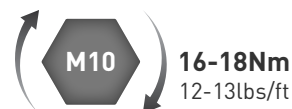
Total permissible weight attached to the roof of the car. This is inclusive of the weight of the roof rack system.

In service maintenance checks

- All bolt connections should be checked after driving a short distance when you first install your roof racks.
- All bolted connections should be checked again at regular intervals (weekly is recommended, depending on road conditions, usage, loads and distances travelled).
- All bolted connections should be checked each time they are re-fitted.
- Off-road conditions are more rigorous. Check all bolted connections and your load more regularly.
- Ensure that your vehicle manufacturer's GVM, and gross axle weights are not exceeded (refer to vehicle owner's manual).

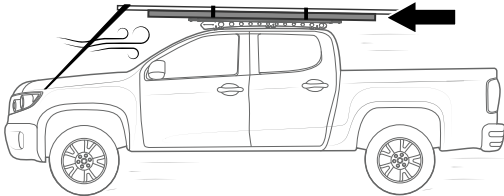
Torque Settings:

Unless stated otherwise in these instructions, all fasteners should be set to the following torque settings:

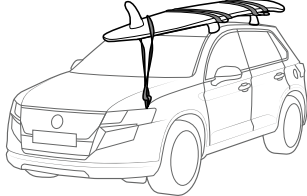



Note for Dealers and Fitters

It is your responsibility to ensure these fitting instructions are given to the end user or client. These instructions remain the property of Rhino-Rack Australia Pty. Ltd. and may not be used or changed for any other purpose than intended.

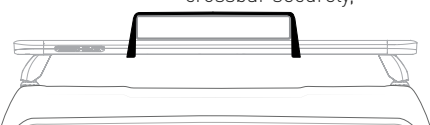


Long flexible loads must be securely attached to a **rigid support** and be tied down to the bonnet.

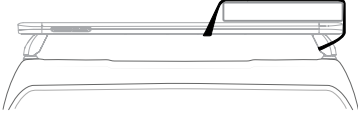
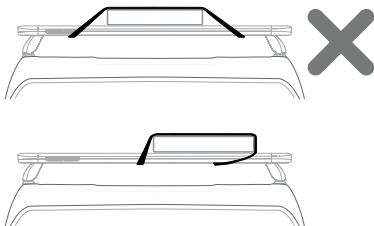



Paddle/ Surfboards should be fixed to the front of the vehicle.

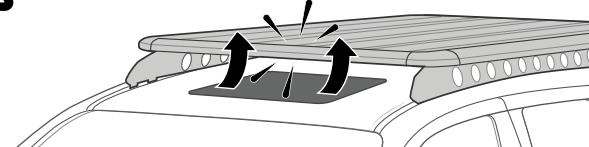
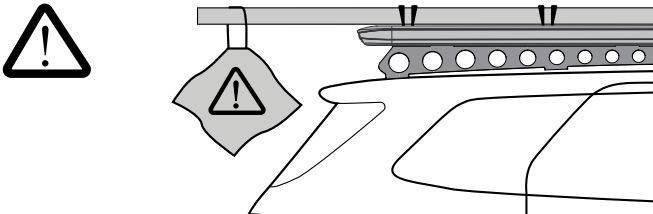
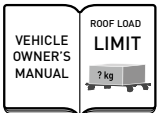
Use only **non-stretch** fastening ropes or straps to attach cargo to roof racks. Always ensure you fasten your load to the crossbar securely,



Loads must be tied down to roof rack, **NOT** around legs

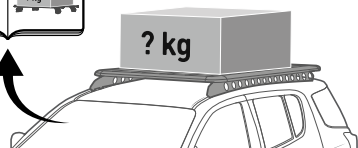
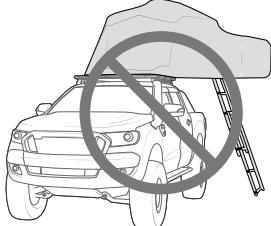
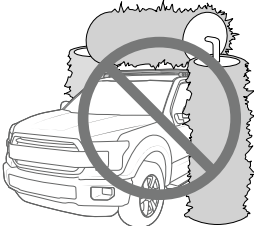



Ensure sunroof will not collide with roof rack system.

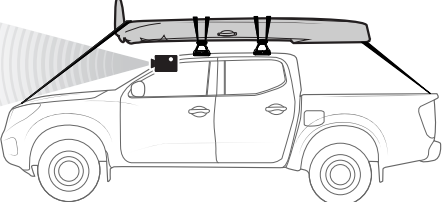
VEHICLE OWNER'S MANUAL

ROOF LOAD LIMIT
? kg

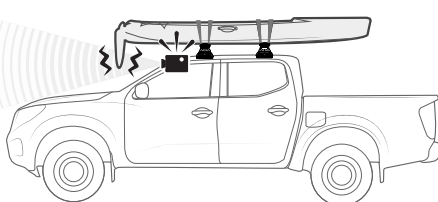




Racks must be removed when vehicle is put through an automatic car wash.

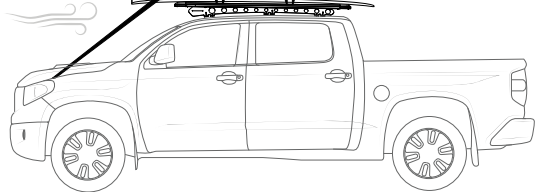
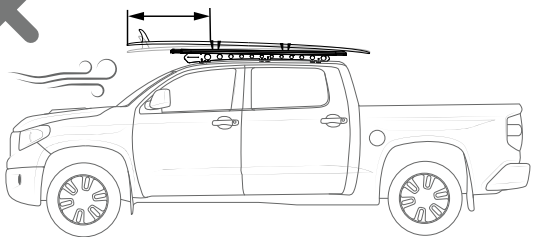
Warranty for roof rack system will be void if the front of the kayak is not secured to the bonnet



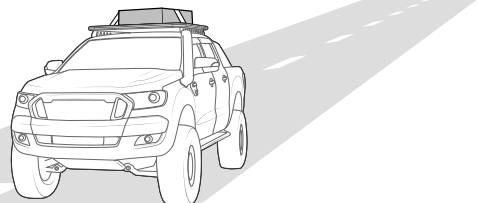
Do NOT obstruct windscreen camera sensors





Surfboard Overhang >600mm must be tied to the bonnet

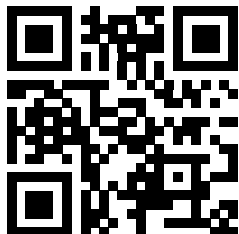
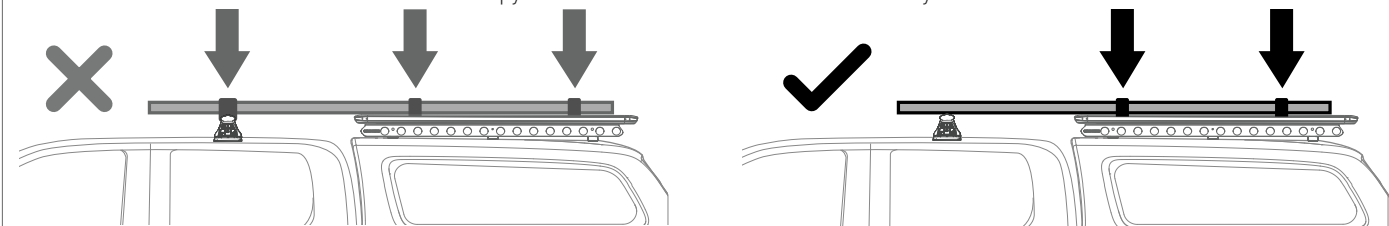
Exercise extreme care when transporting wind-resistant loads. Special consideration must be taken when cornering and braking.



Off-road conditions can be much more rigorous. Extreme care must be taken on any driven path that does not contain a surface protection layer (tar/bitumen).

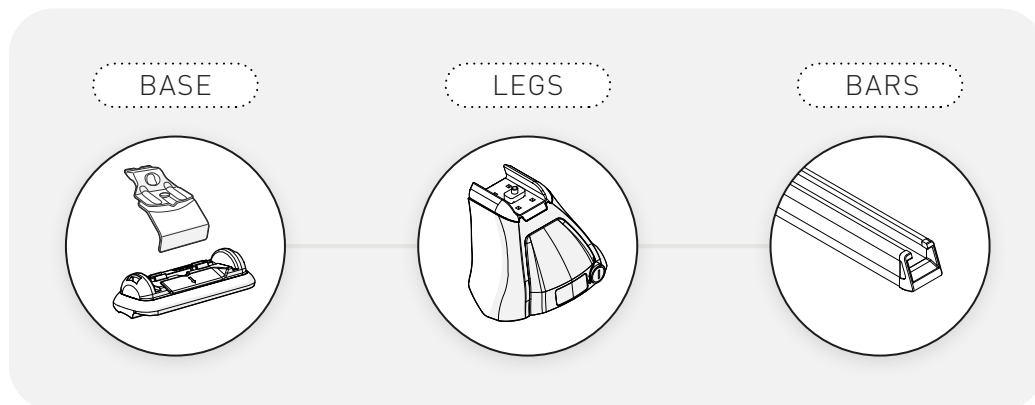
Tub/tray/canopys can move independently from the vehicle cabin. Rigidly fix to either the cabin roof racks **or** the tub/tray/canopy roof racks but not both simultaneously.



Youtube.com/
Rhinorackaustralia

System Components

To complete the installation ensure you have **Base Kit**, **Legs** and **Crossbars**.

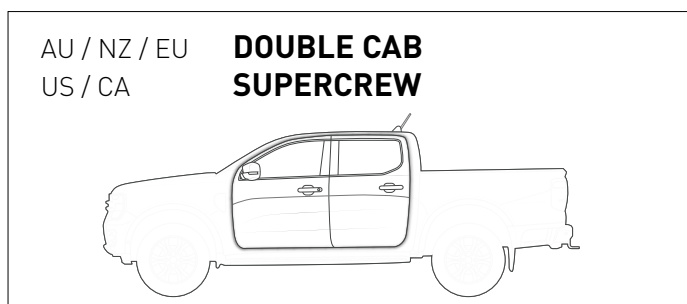


TOOLS REQUIRED:

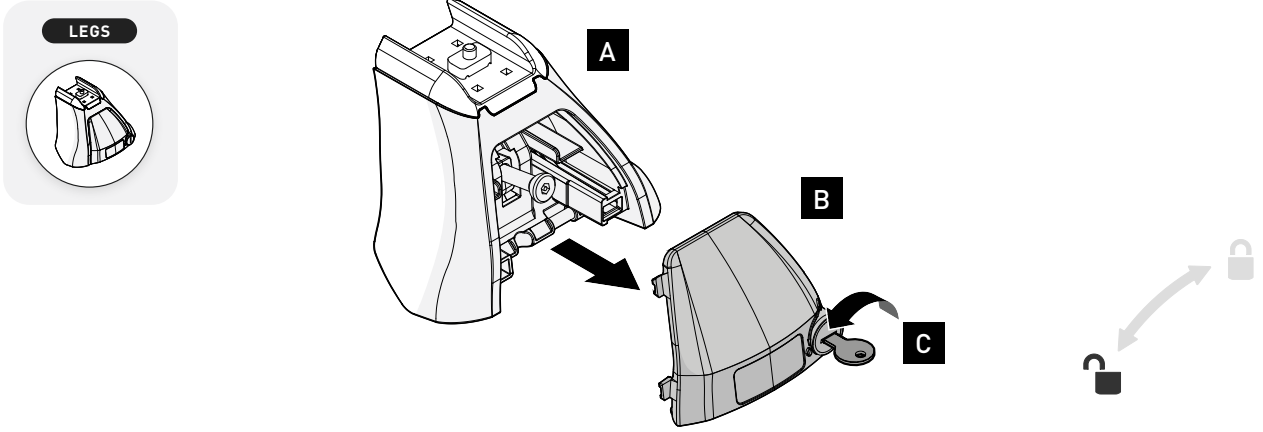
- T1** - Measuring Tape
- T2** - Marker / Pencil
- T3** - Scissors / Cutters

Parts List

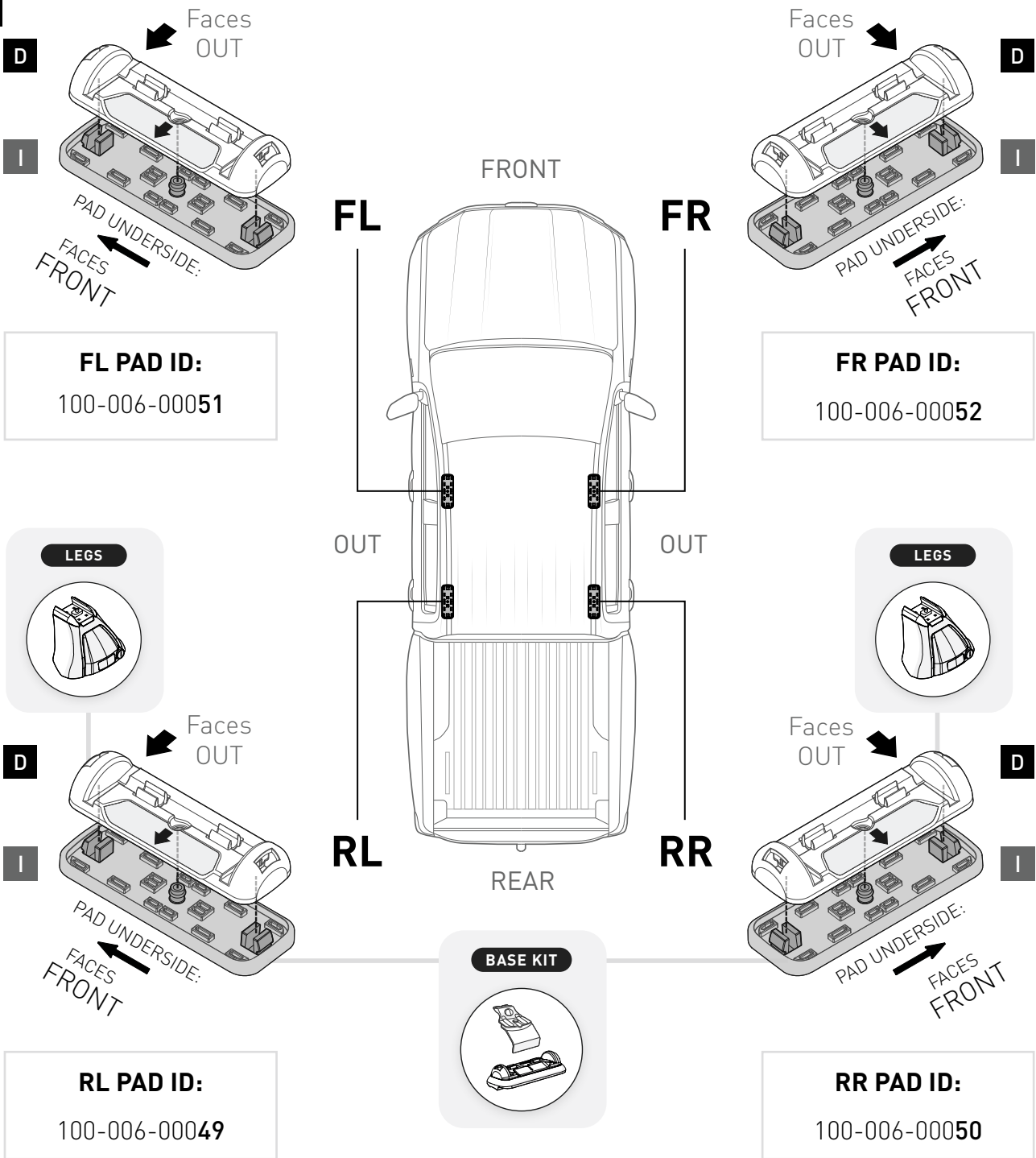
<p>Leg</p> <p>A x4</p>	<p>Front Cover Preassembled</p> <p>B x4</p>	<p>Metal Key (Pair)</p> <p>C x1</p>	<p>Foot Plate</p> <p>D x4</p>
<p>Torque Key</p> <p>E x1</p>	<p>Location Decals Sheet</p> <p>F x1</p>	<p>Positioning Decals Sheet</p> <p>G x1</p>	<p>Instruction</p> <p>H x1</p>
<p>DK PARTS (Included in Base Kit)</p> <p>I x4 J x4</p>		<p>HD BAR (Included in Bars Kit)</p> <p>K x2</p>	



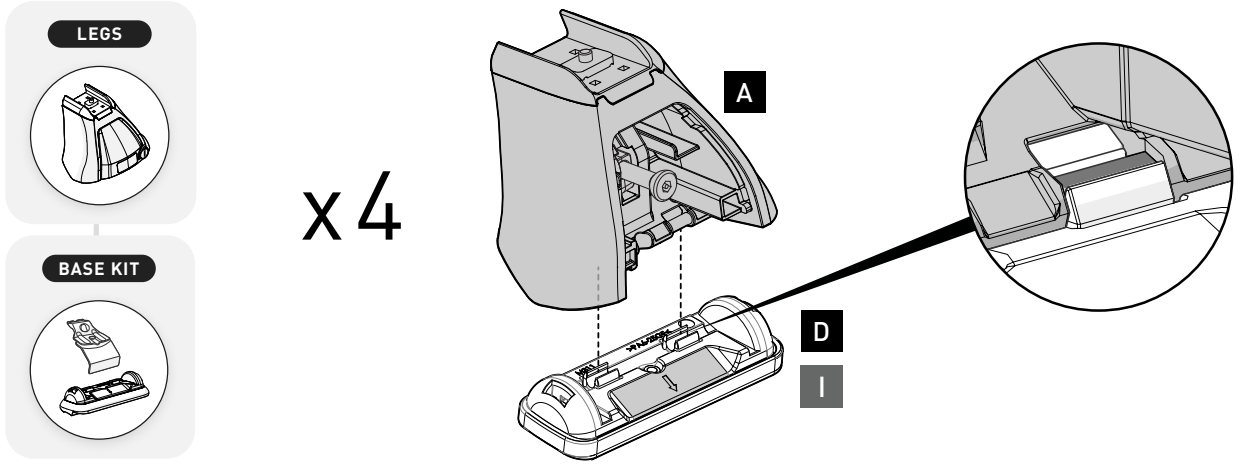
1



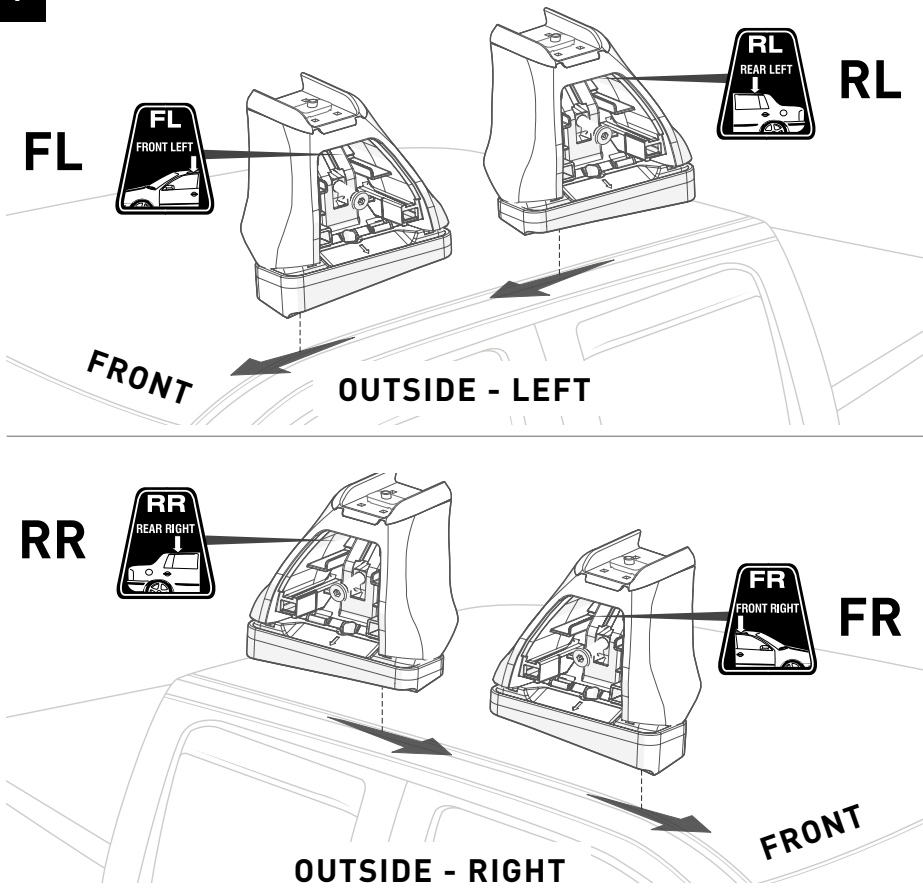
2



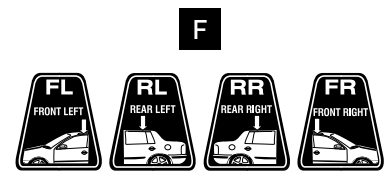
3



4

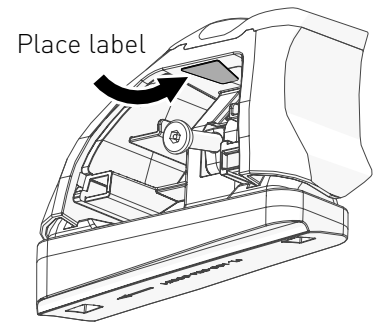


LEG LOCATION LABELS

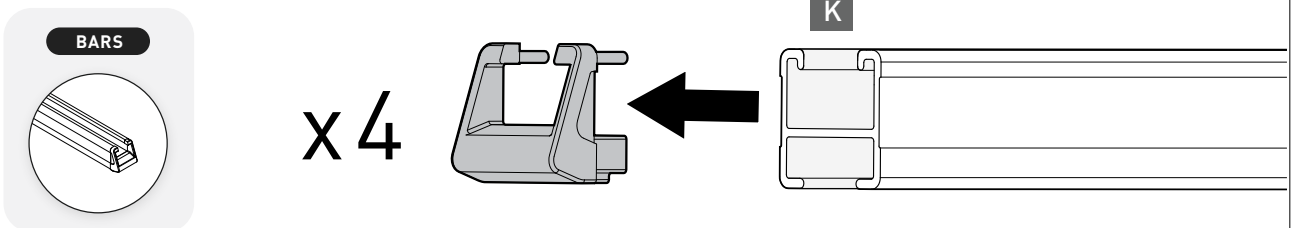


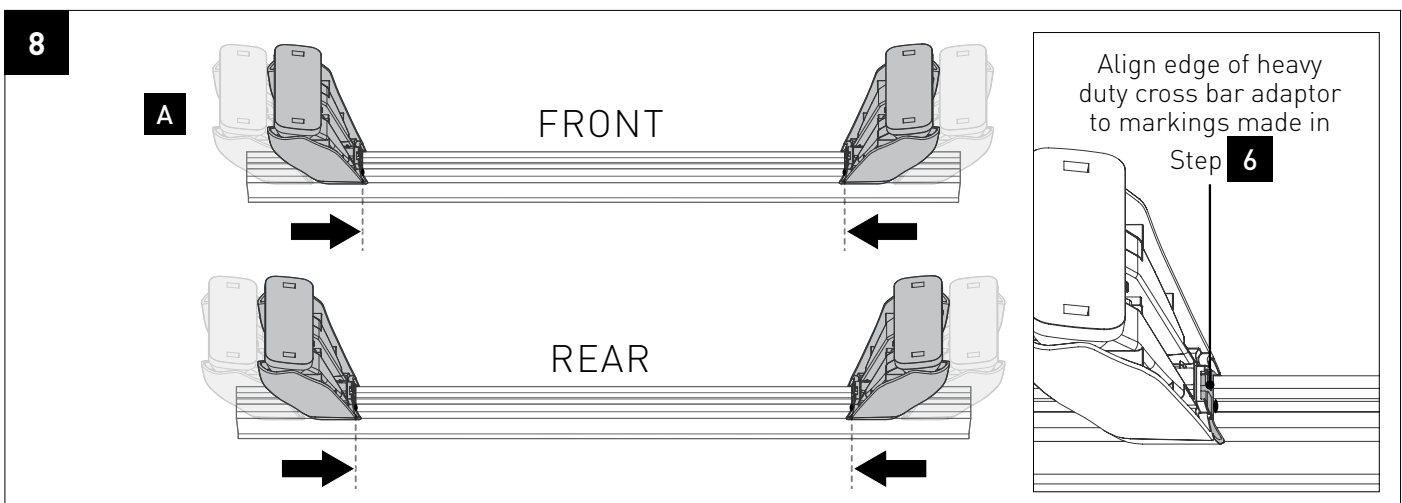
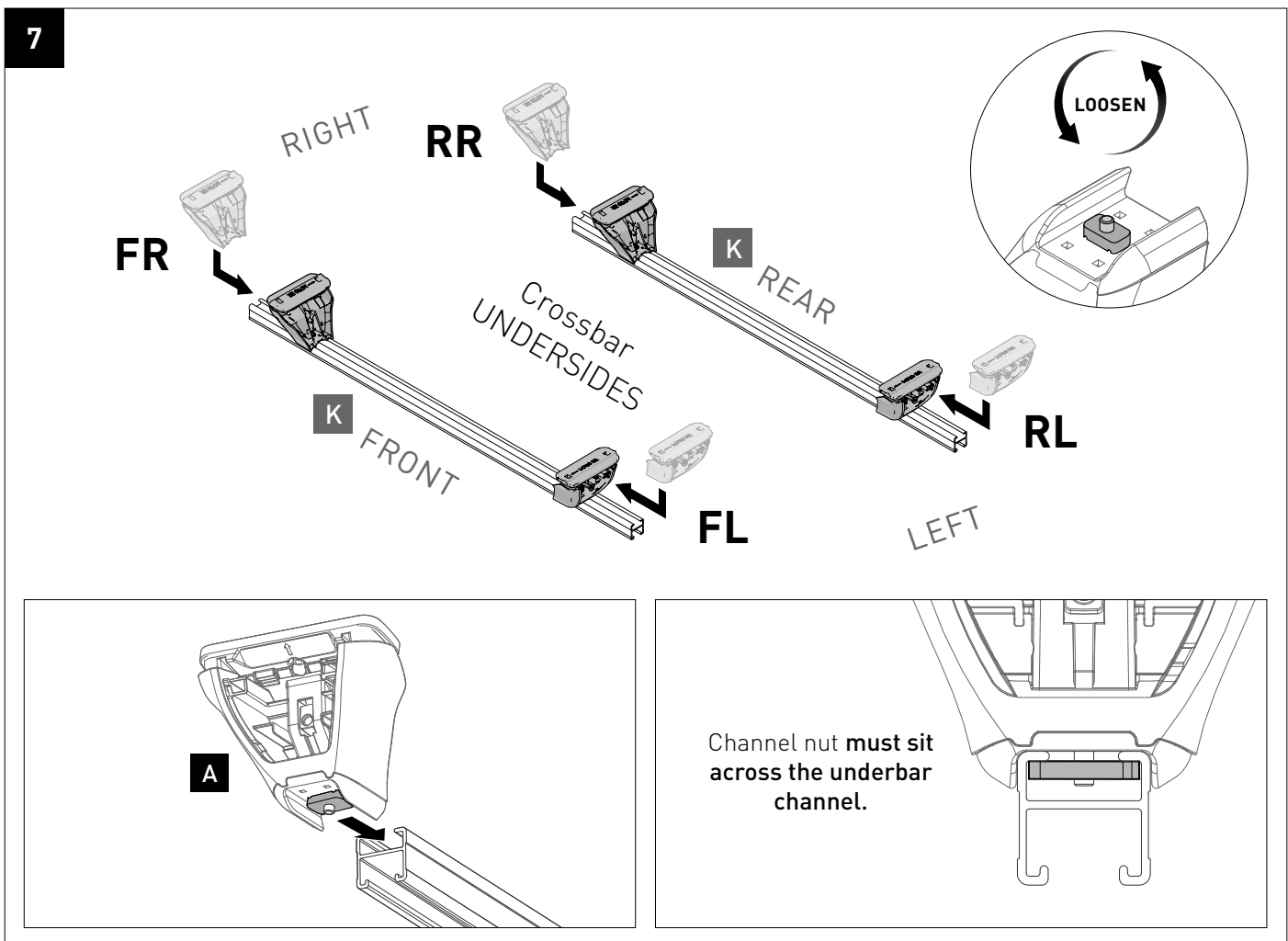
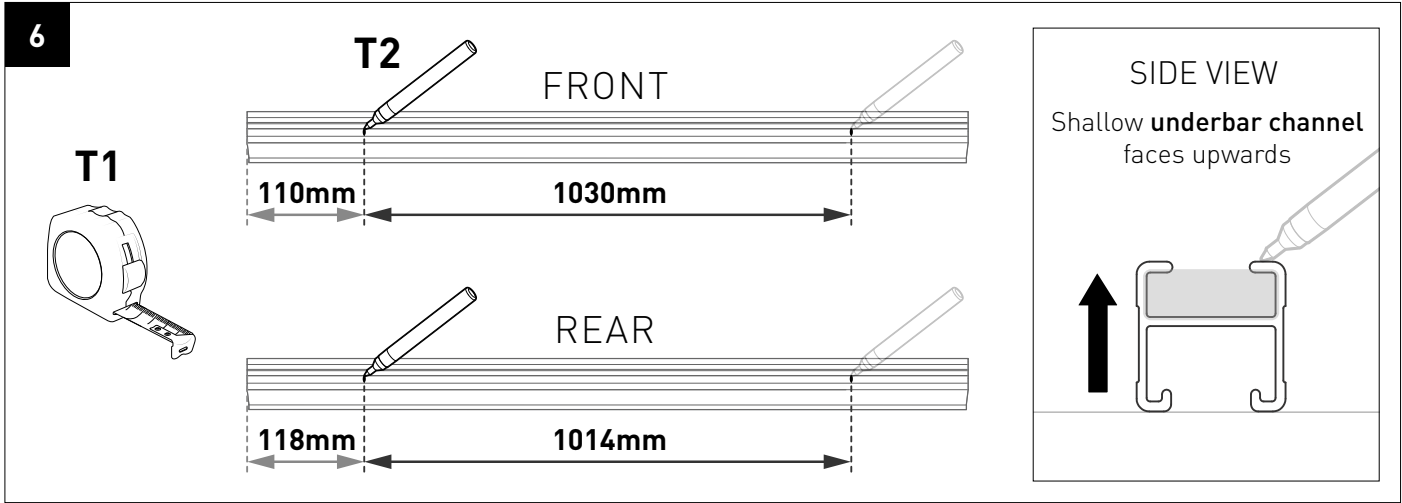
Place labels inside the leg to help identify the leg's location on the vehicle roof when re-fitting crossbars.

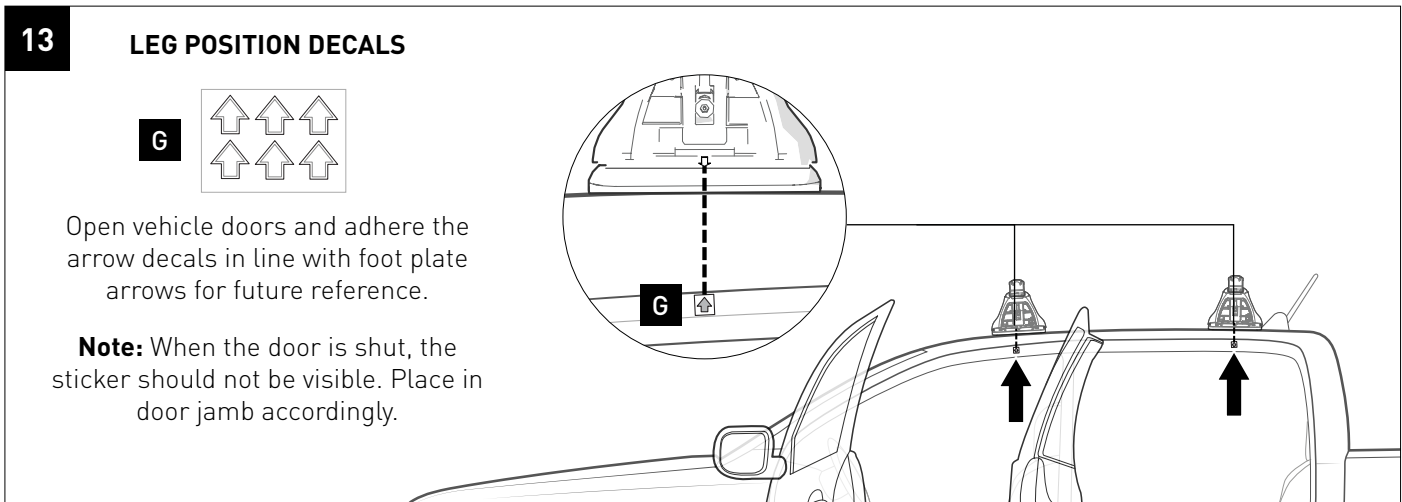
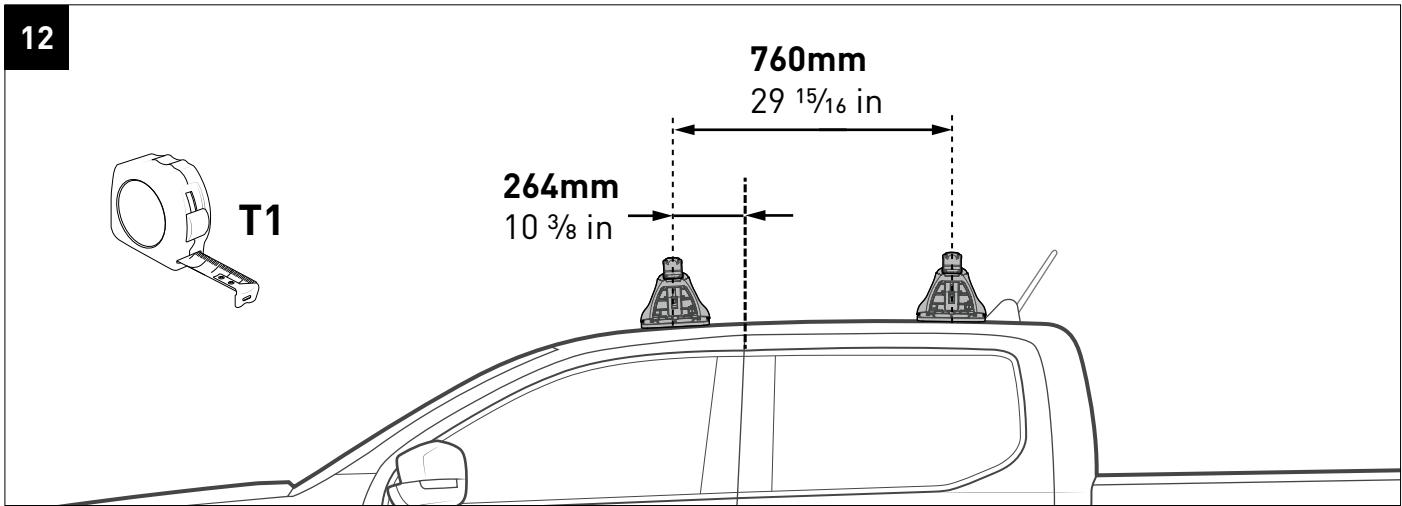
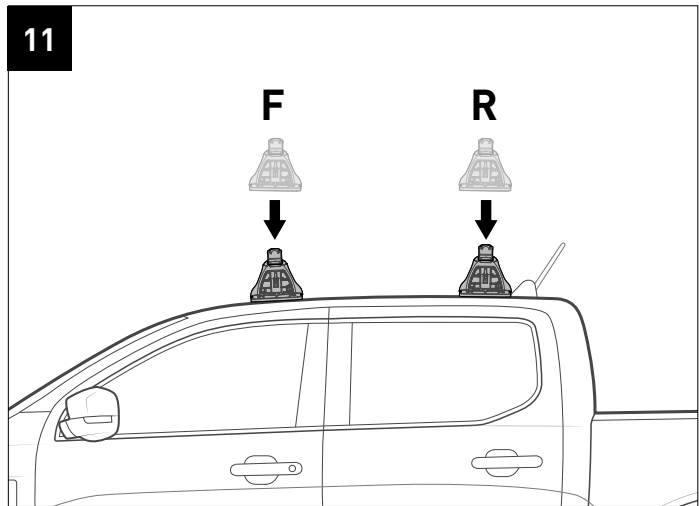
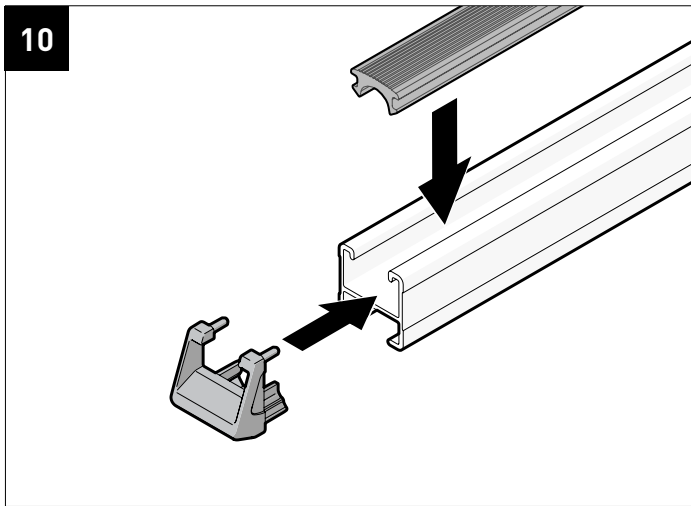
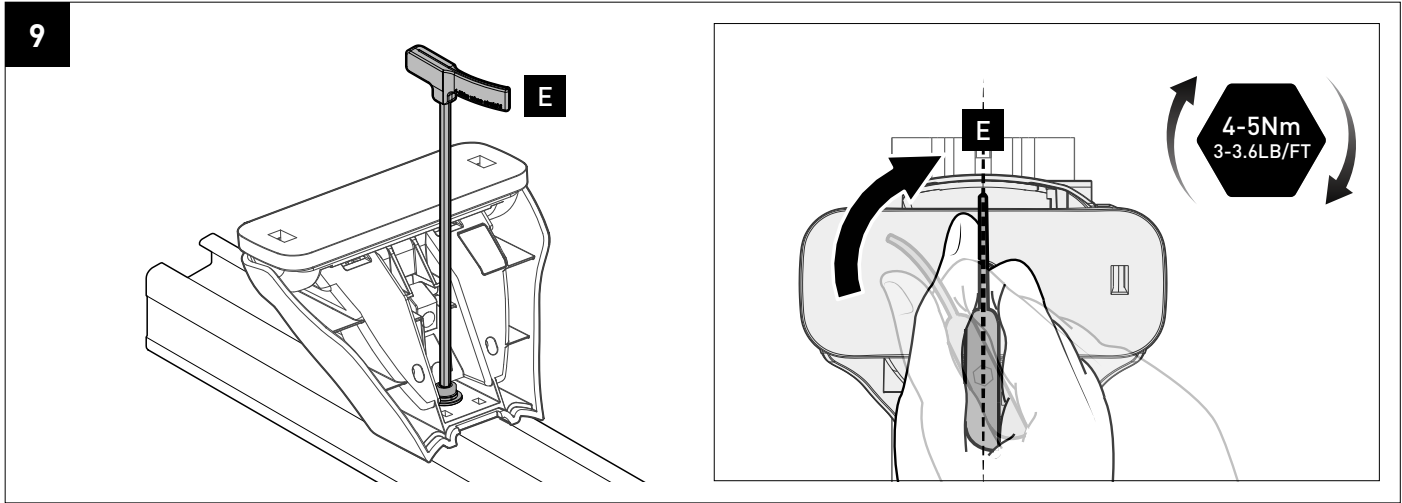
Place label



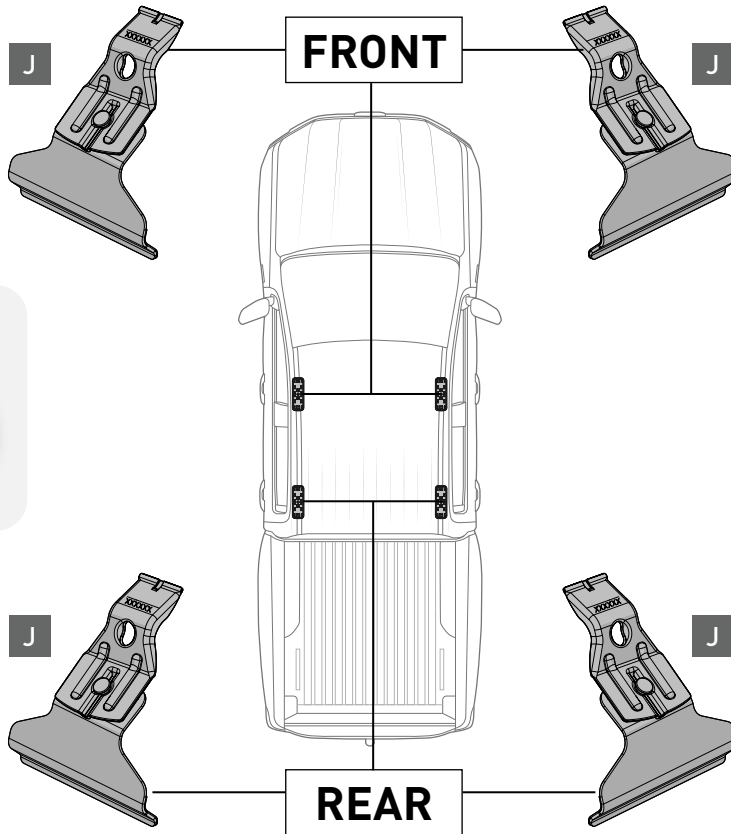
5







14



FRONT CLAMP ID:

100-001-00116

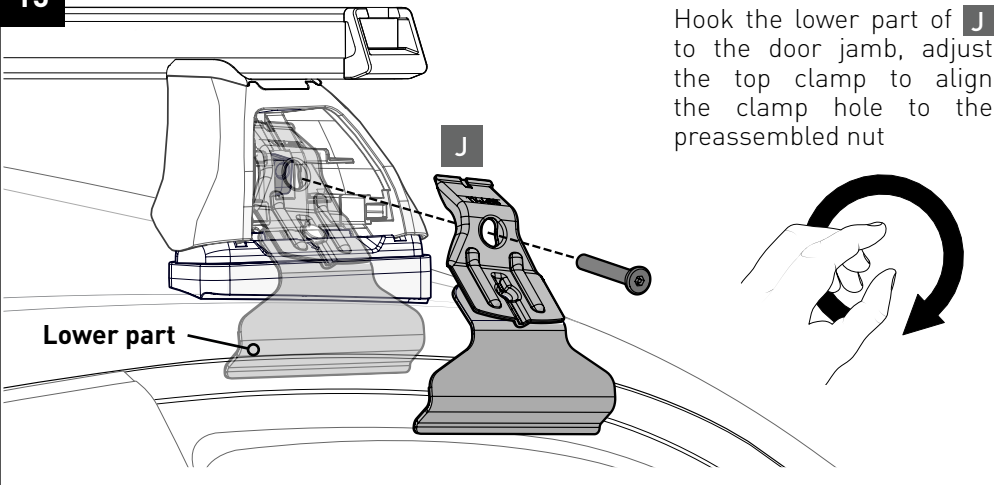
BASE KIT



REAR CLAMP ID:

100-001-00117

15

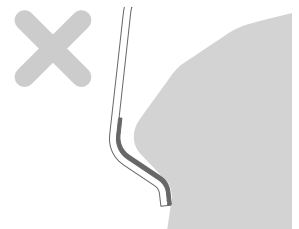
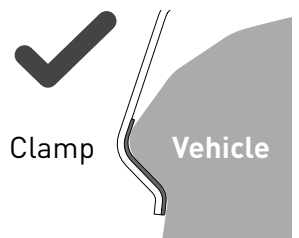


Hook the lower part of **J** to the door jamb, adjust the top clamp to align the clamp hole to the preassembled nut



SIDE VIEW

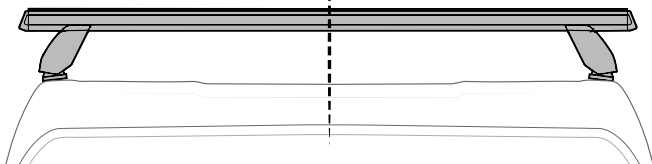
The clamp must have full contact along its face.



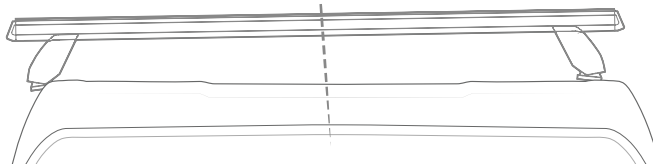
16 Visually inspect and ensure that the pads are correctly seated against the body of the vehicle.



FRONT VIEW



FRONT VIEW



17

Tighten bolts **incrementally** and **evenly** on each side of the vehicle to avoid pulling the rack to one side.



Do not over tighten.



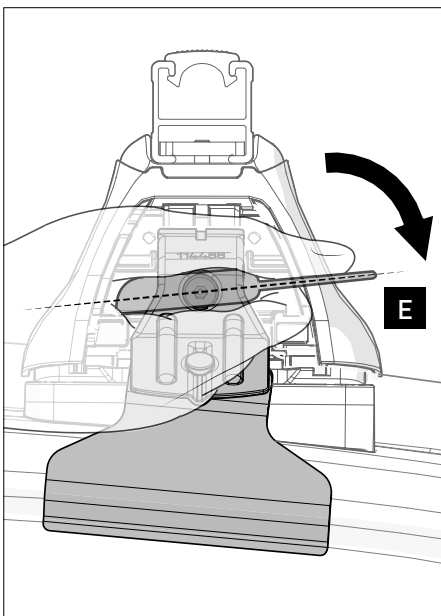
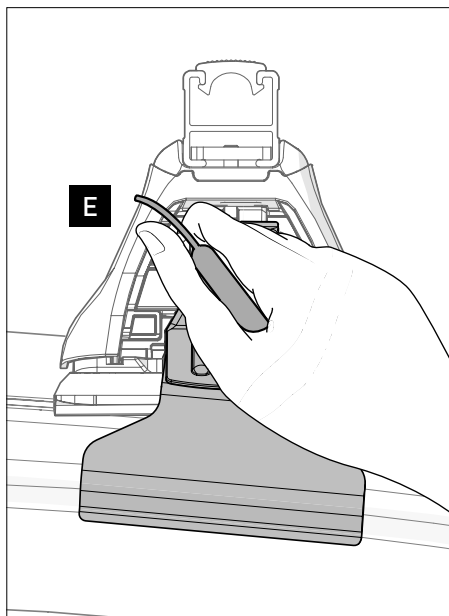
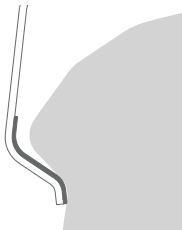
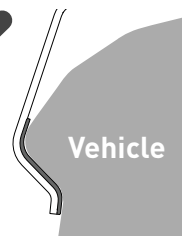
SIDE VIEW

The clamp must have full contact along its face.



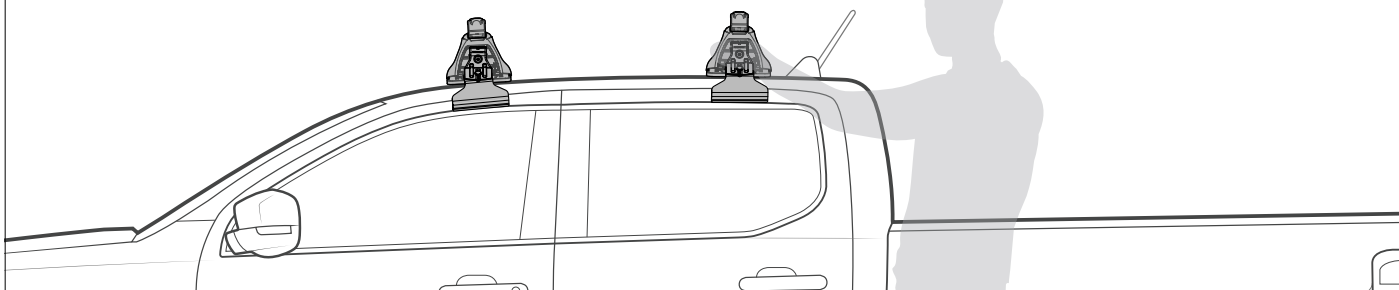
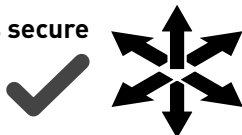
Clamp

Vehicle

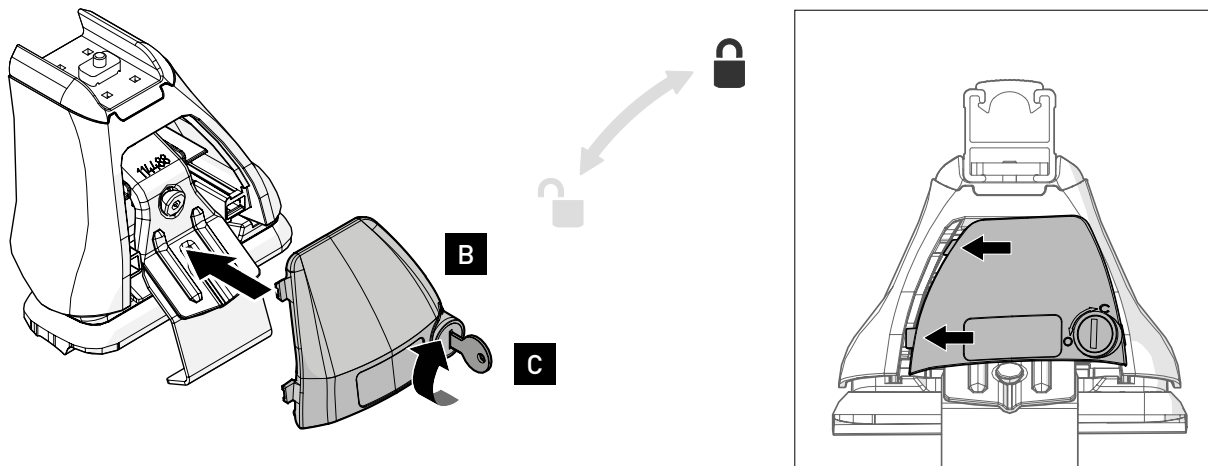


18

Check fitment is secure

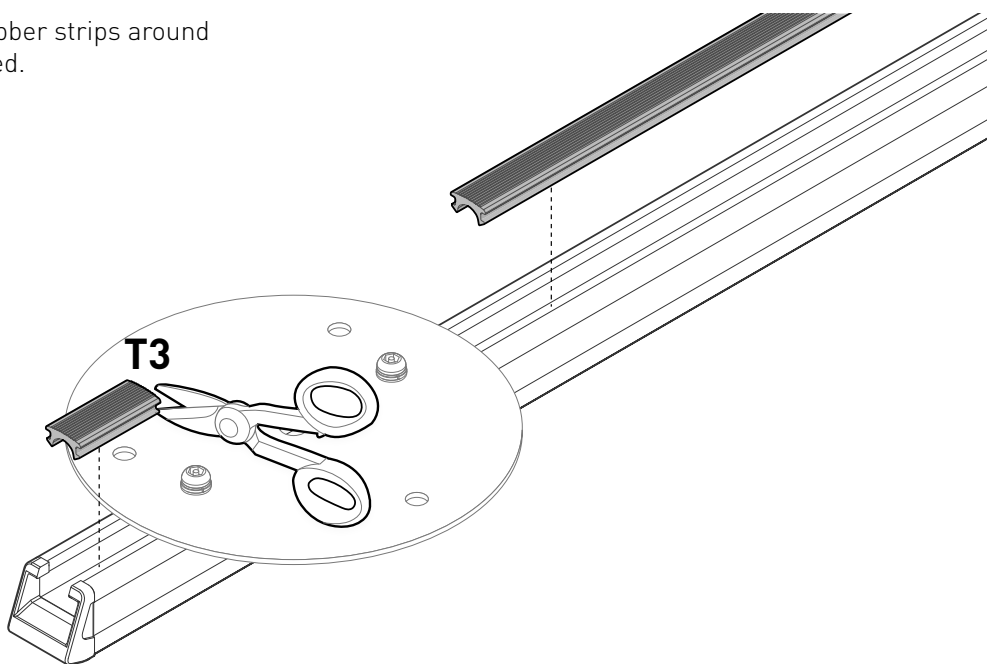


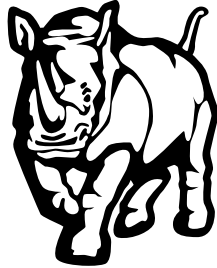
19



20

NOTE: Cut and install rubber strips around the accessories if required.





RHINO-RACK®

MAKE SPACE FOR ADVENTURE

RHINORACK.COM

Rhino-Rack AUSTRALIA

22A Hanson Pl,
Eastern Creek, NSW, 2766

Rhino-Rack USA

19822 E 22nd Ave,
Aurora, CO, 80011