



# RHINO-RACK

Aerodynamic & Heavy Duty Roof Rack Systems

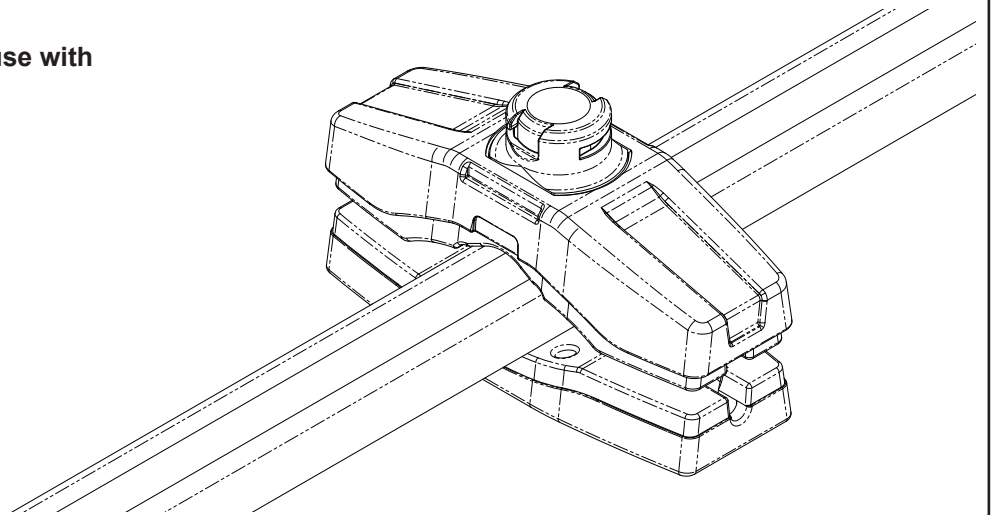
## WR09 - Universal Wrap

Place these instructions in the vehicle's glove box after installation is complete.

**Important:** Please read these instructions carefully prior to installation. Please refer to your fitting instruction to ensure that the roof racks are installed in the correct locations. Check the contents of this kit before commencing fitment and report any discrepancies.

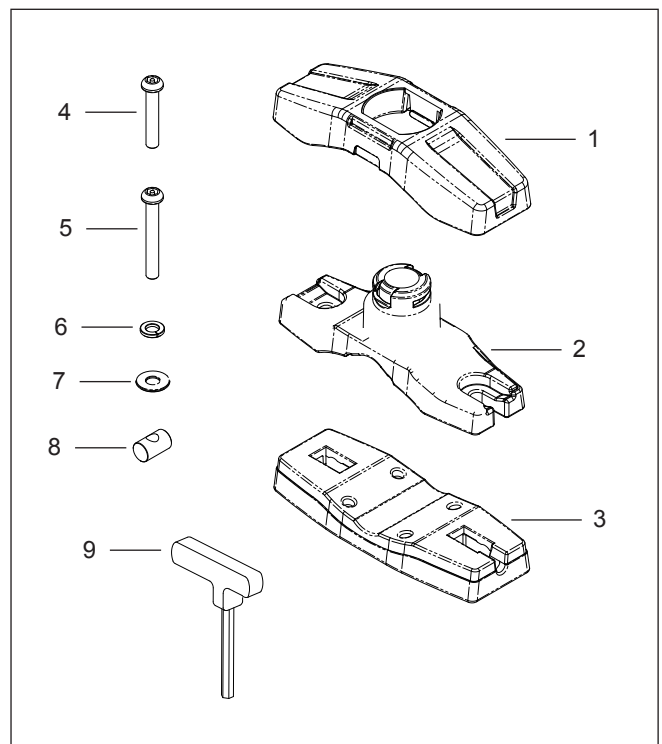
**This product is suitable for use with the following accessories:**

Ski Carriers 542, 544 & 546  
 Kayak Carriers 560 & 561  
 Multi Purpose Holder (RMPH)  
 Riser Mounting (S550)

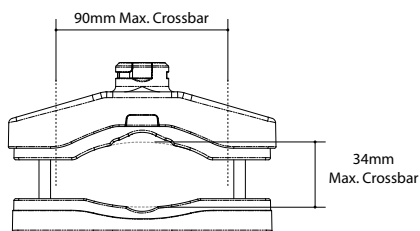


**Care Instruction:** Wash crossbars prior to installing universal wrap.

Item	Component Name	Qty	Part No.
1	Security Cover	4	M323
2	Top Clamp	4	M321
3	Bottom Clamp	4	M322
4	M6 x 32mm Security Screw	8	B064
5	M6 x 45mm Security Screw	8	B091
6	M6 Spring Washer	8	W004
7	M6 x OD16mm Flat Washer	8	W031
8	M6 Dowel Nut	8	N027
9	Security Allen Key	1	SECKEY-S
10	Fitting Instructions	1	RS-390



### Clamp Range



Rhino-Rack  
 3 Pike Street, Rydalmere,  
 NSW 2116, Australia.  
 (Ph) (02) 9638 4744  
 (Fax) (02) 9638 4822

Document No: RS-390  
 Prepared By: Nigel Greig  
 Authorised By: Gary England

Issue No: 03  
 Issue Date: 11/11/2009

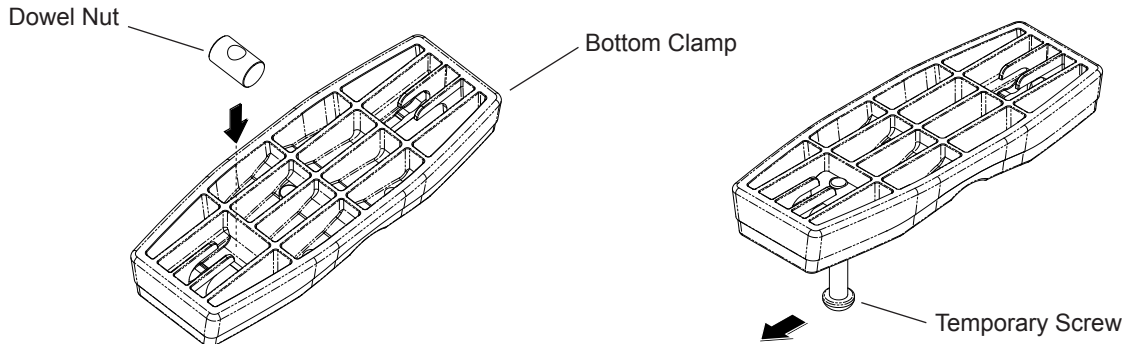
These instructions remain the property of Rhinorack Australia Pty Ltd and may not be used or changed for any other purpose than intended.



## WR09 - Universal Wrap

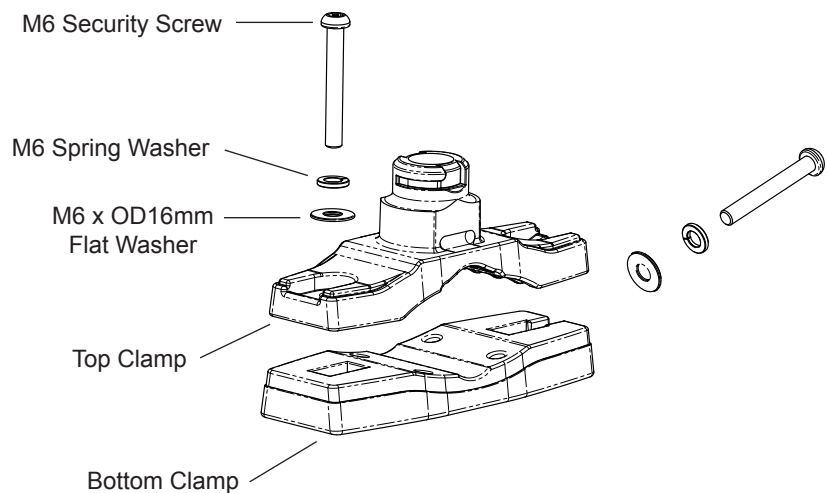
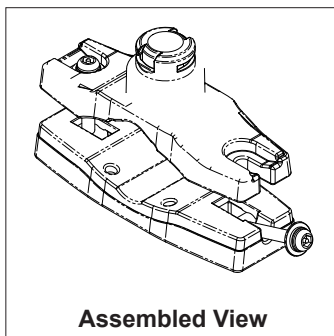
### 1 Insert Dowel Nuts

Lower dowel nut into the under side of the bottom clamp as shown. Temporarily fit a screw into the nut from the other side of the bottom clamp and use the screw as leverage to slide the dowel nut into position. You should hear the dowel nut snap into position. Repeat this for both dowel nuts on all lower clamps.



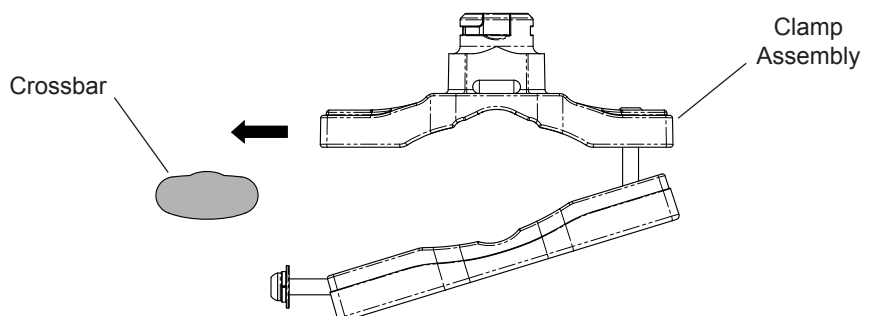
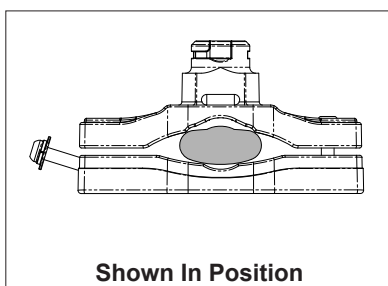
### 2 Assemble Clamps

Remove the temporary screw fitted in step 1. Select the appropriate length screw to suit your crossbar and assemble the clamps and hardware as shown below.



### 3 Fit to Crossbars

With the front screw swung down and away from the top clamp, open the clamp assembly and slide around the crossbar as shown.





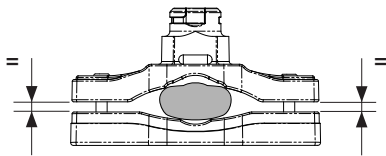
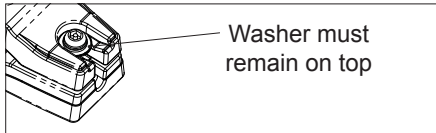
## WR09 - Universal Wrap

### 4 Fasten in Position

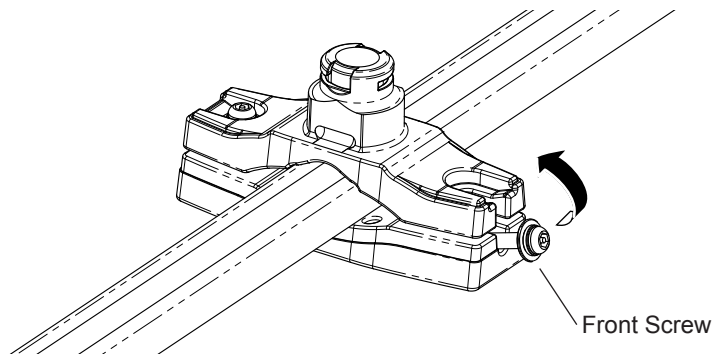
Holding the top and bottom clamps together with one hand, swing the front screw up until it locates into the groove of the top clamp. Make sure the large flat washer remains on top as shown in image below.

**DO NOT OVER TIGHTEN SCREWS.** Tighten screws just enough so that the universal wrap cannot slide along the crossbar, tighten to a maximum of 2 Nm with the security key provided.

**Note:** If fitting universal wraps with a ski carrier refer 'Appendix A' before tightening completely.

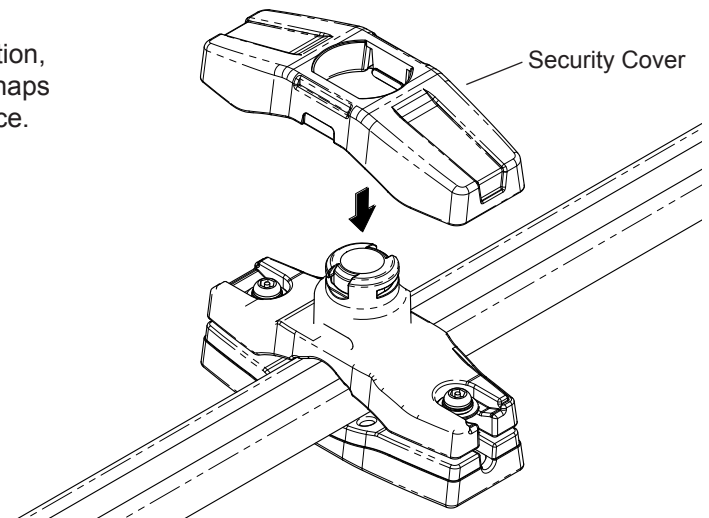
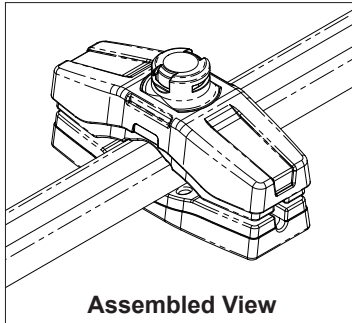


Maintain even gap on both sides of part



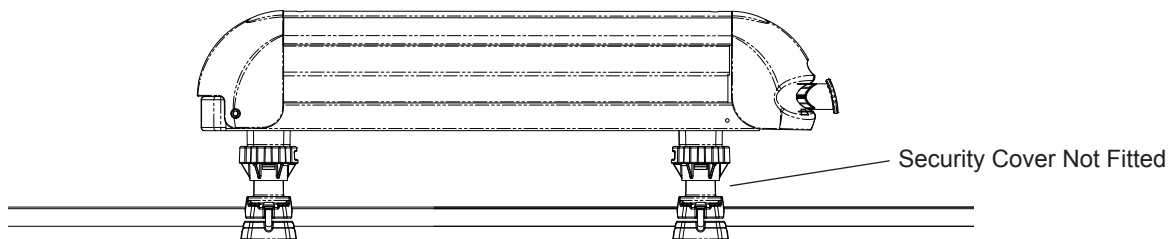
### 5 Fit Security Cover

Now that the universal wraps are fitted securely in position, lower the security covers over the centre stem until it snaps in place. You are now ready to fit the accessory of choice.



## Appendix A

### Fitting Universal Wrap with Ski Carrier



With the universal wraps loosely fitted to the crossbars adjust their position to suit the ski carrier as shown. Refer ski carrier fitting instructions for details. Tighten screws on the universal wraps to fasten in place, **DO NOT OVER TIGHTEN** (refer step 4). Remove the ski carrier and proceed to step 5.