



RHINO-RACK

Aerodynamic & Heavy Duty Roof Rack Systems

WR08 Hubco Whipbar Attachment Kit

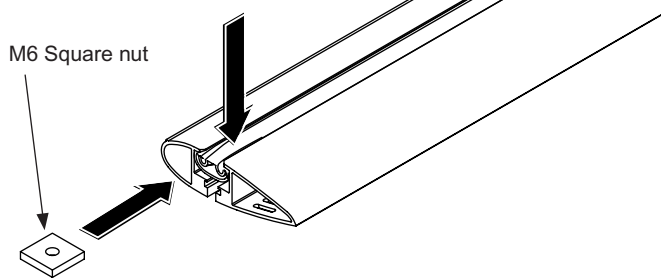
Important: Please read these instructions carefully prior to installation.
Please refer to your fitting instruction to ensure that the roof racks are installed in the correct locations.
Check the contents of kit before commencing fitment and report any discrepancies.
Place these instructions in the vehicle's glove box after installation is complete.

Care Instruction: Clean cross bars prior to fitting the Hubco Adaptor.

1 Square Nut Fitment:

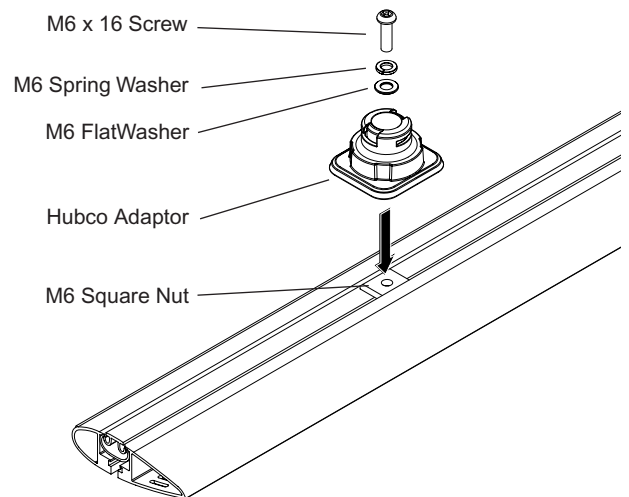
Remove end cover of Hubco Whipbar as detailed in your Hubco manual. Depress rubber with your finger to enable nut to slide. Insert M6 square nut into end of the cross bar as detailed below.

Slide M6 square nut into channel of cross bar on top of the rubber.



2 Hubco Adaptor Fitment:

Loosely attach Hubco adaptor to (previously inserted) nut using the M6 x 16mm screw and washers provided. This will enable you to slide adaptor to desired position.

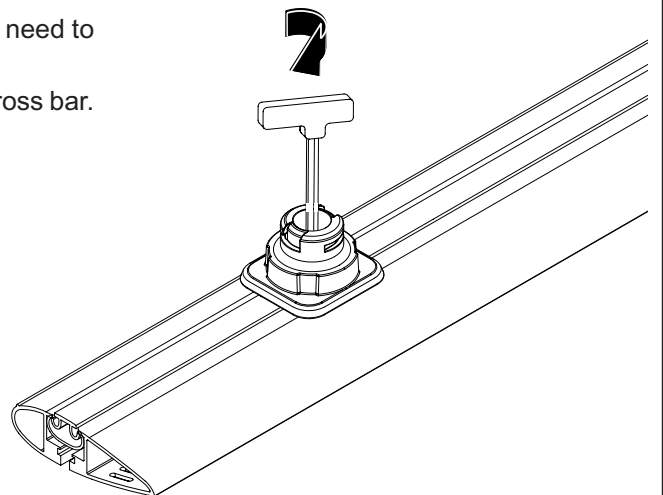
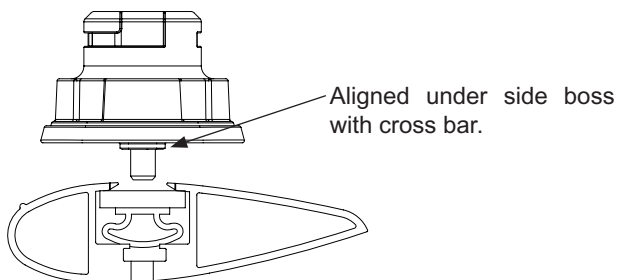


3 Fasten Hubco Adaptor:

Slide adaptor along cross bar to the desired position. You will need to depress the rubber buffer to assist with movement.

Ensure the boss on under side of adaptor is aligned with the cross bar.

Tighten M6 screw to 3-4 Nm.



Rhino-Rack
3 Pike Street, Rydalmere,
NSW 2116, Australia.
(Ph) (02) 9638 4744
(Fax) (02) 9638 4822

Document No: RS-344
Prepared By: Craig Jones
Authorised By: Gary England

Issue No: 01
Issue Date: 21/05/2008

These instructions remain the property of Rhino-Rack Australia Pty. Ltd. and may not be used or changed for any other purpose than intended.