



RHINO-RACK

Aerodynamic & Heavy Duty Roof Rack Systems

WR07 FRS Attachment Kit

Place these instructions in the vehicle's glove box after installation is complete.

Important: Please read these instructions carefully prior to installation. Please refer to your fitting instruction to ensure that the roof racks are installed in the correct locations. Check the contents of kit before commencing fitment and report any discrepancies.

Care Instruction: Clean the cross bars prior to fitting the FRS Attachment.

HUBCO AeroBar Fitment:

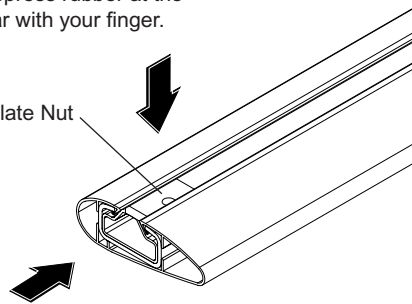
Remove end cover of Hubco AeroBar as detailed in your Hubco manual. Insert M6 plate nut into end of the aeroBar as detailed below.

1

Firstly, depress rubber at the end of bar with your finger.

M6 Plate Nut

Insert nut into channel at end of the bar (on top of rubber).



HUBCO AeroBar Fitment:

Loosely fasten Hubco Adaptor to nut (previously inserted) using the M6 x 20 Screw and Washers provided.

2

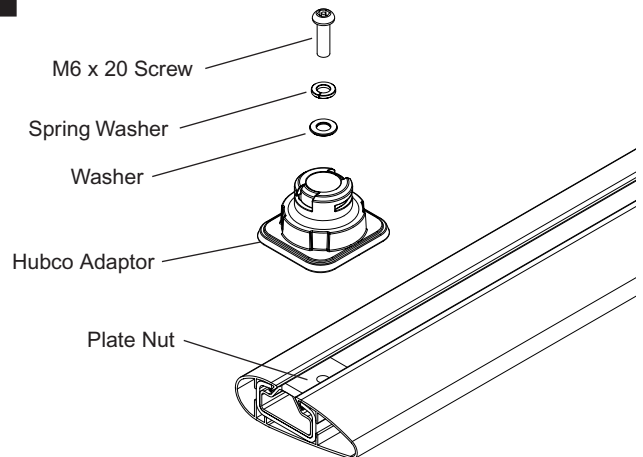
M6 x 20 Screw

Spring Washer

Washer

Hubco Adaptor

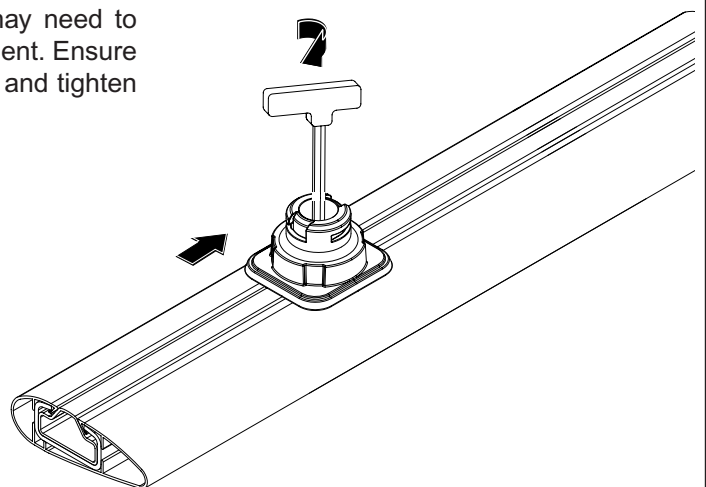
Plate Nut



HUBCO AeroBar Fitment:

Slide adaptor along bar to the desired position. You may need to depress the rubber with your finger to assist with movement. Ensure the boss on under side of adaptor is aligned with the bar and tighten screw. **Tighten to 3-4N/m.**

3



Rhino-Rack
3 Pike Street, Rydalmere,
NSW 2116, Australia.
(Ph) (02) 9638 4744
(Fax) (02) 9638 4822

Document No: RS-287
Prepared By: Craig Jones
Authorised By: Gary England

Issue No: 01
Issue Date: 17/11/2006

These instructions remain the property of Fetovu Pty Ltd T/as Rhino-Rack and may not be used or changed for any other purpose than intended.