



# RHINO-RACK

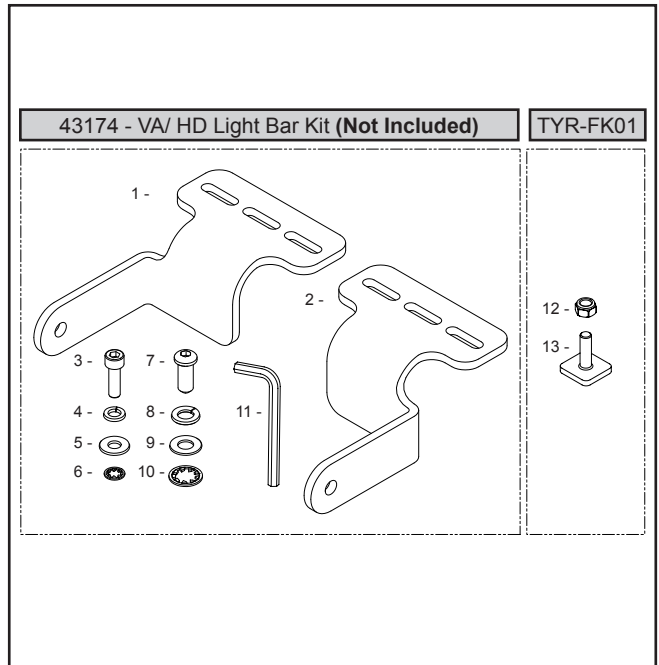
**CONTROLLED**

## TYR-FK01 - Whipbar, Thule, Rola Fit Kit for 43174

Place these instructions in the vehicle's glove box after installation is complete.

**Important:** Please read these instructions carefully prior to installation.  
Please refer to your fitting instruction to ensure that the alloy tray is installed correctly.  
Check the contents of this kit before commencing fitment and report any discrepancies.

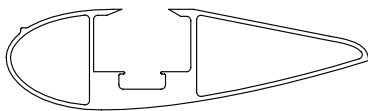
Item	43174 (Not Included)	Qty	Part No.
1	RH LED Light Bracket S/S	1	CA1447
2	LH LED Light Bracket S/S	1	CA1446
3	M6 x 20 Socket Head Screw	2	B054
4	M6 Spring Washer	2	W004
5	M6 x 16 x 1.6 Flat Washer	6	W031
6	M6 Shake Proof Washer	2	W056
7	M8 Button Cap Screw	2	B155
8	M8 Spring Washer	2	W019
9	M8 x 17 Flat Washer	2	W020
10	M8 Shake Proof Washer	2	W033
11	Security Allen Key 5mm	1	H021
<b>TYR-FK01</b>			
12	M6 Nyloc Nut	4	N013
13	M6 T Bolt	4	B014
14	Fitting Instructions	1	R744



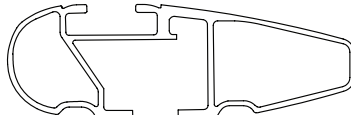
### TOOLS NEEDED

- 10mm Spanner

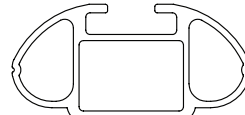
### SUITS



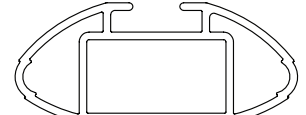
**Whipbar**  
Through Bar



**Thule**  
Wingbar



**Thule**  
Aero



**Rola**  
Aero

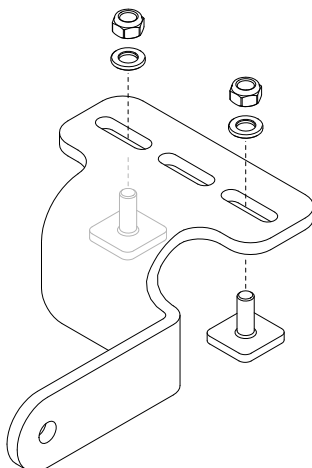
### LOAD RATING

Ensure bolts are regularly checked and tightened to ensure minimal bounce and maximum safety

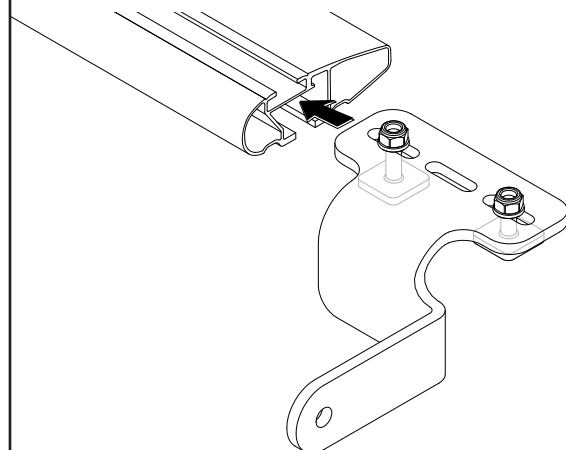
Rated for LED Lights

**< 5KG**

- 1** Using two T Bolts, place them through selected slots and add washer and nyloc nut - hand tighten



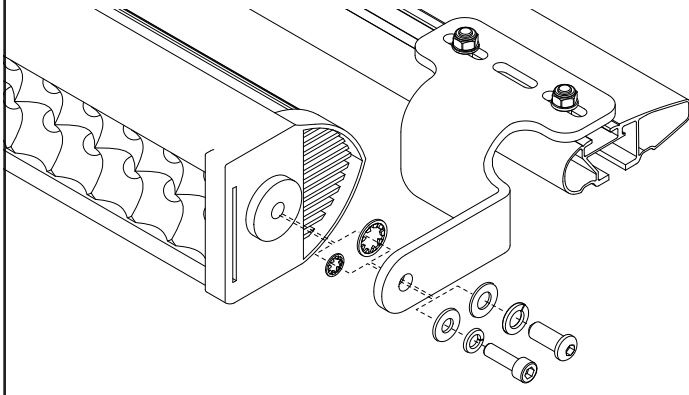
- 2** After removing rubber inserts and endcaps from bars, slide T bolts into channel with bracket resting on top of crossbar



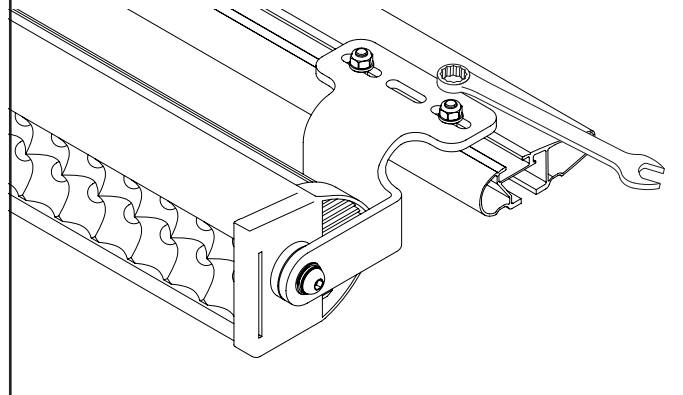


# TYR-FK01 - LED Light Brackets for Whispbar, Thule, Rola

**3** Once the brackets are positioned - fit the LED light bar to the brackets with either M8 or M6 hardware as shown.

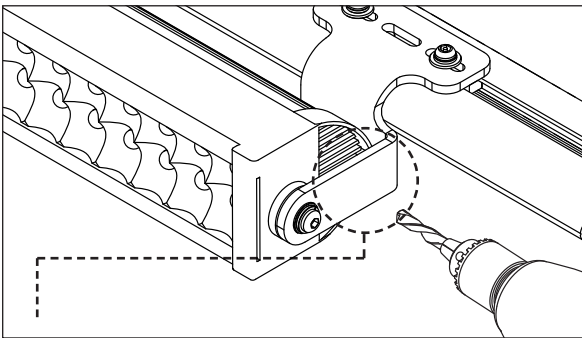


**4** Once the LED bar is secured between both brackets - centre the LED Bar between the legs of the roof racks and tighten all hardware.

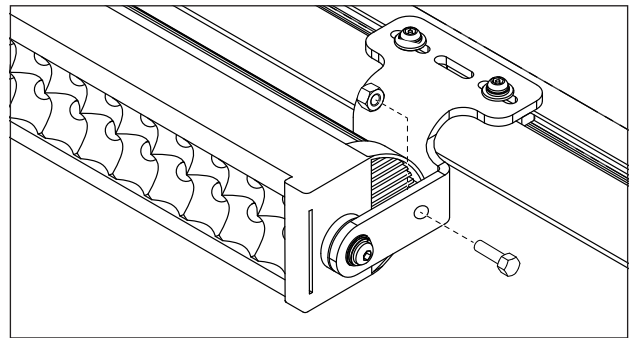


**Note:**

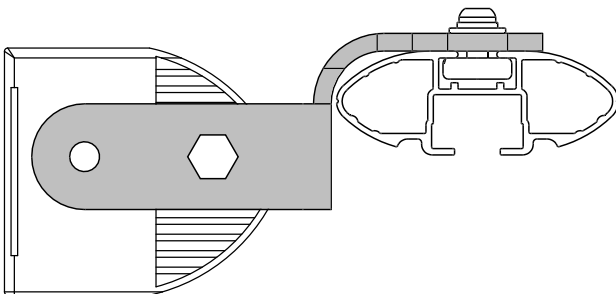
For heavy/ long LED light bars: It is possible that the LED light installed may move up or down in off-road conditions. To prevent this, locate a suitable spot on your LED light bar that can serve as a locking position, drill through the bracket and connect the two points with suitable hardware. Note that variations in LED light bars will alter this step slightly. (Hardware not supplied in this kit)



Locate a suitable position for drilling. Look to have the hole in the bracket line up with a position on the light bar that will provide purchase for any hardware used.



Select the appropriate hardware and fix the light bar in position.



**Side View:** Be sure hardware is secure before use. Note that the Light Bracket is stainless steel, there will be no corrosion damaged caused by drilling.

Rhino-Rack  
3 Pike Street, Rydalmere,  
NSW 2116, Australia.  
(Ph) (02) 9638 4744  
(Fax) (02) 9638 4822

Document No: R744  
Prepared By: Will Davis  
Authorised By: Chris Murty

Issue No: 02  
Issue Date: 07/08/2015

These instructions remain the property of Rhinorack Australia Pty Ltd and may not be used or changed for any other purpose than intended.