



# RHINO-RACK

Aerodynamic & Heavy Duty Roof Rack Systems

## SWLB Rhino Aerobar - Work Light Bracket

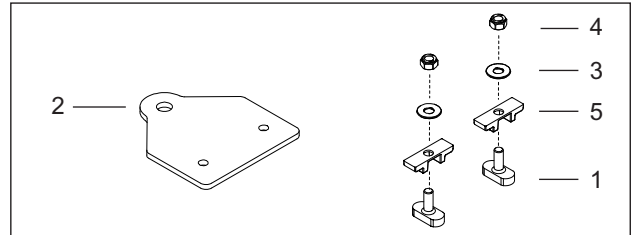
Place these instructions in the vehicle's glove box after installation is complete.

**Important:** Please read these instructions carefully prior to installation. Please refer to your fitting instruction to ensure that the roof racks are installed in the correct locations.

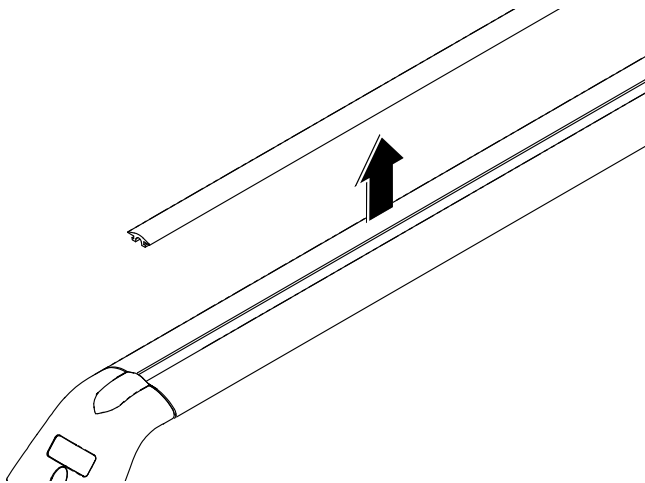
### Parts List

Important: Check the contents of kit before commencing fitment and report any discrepancies.

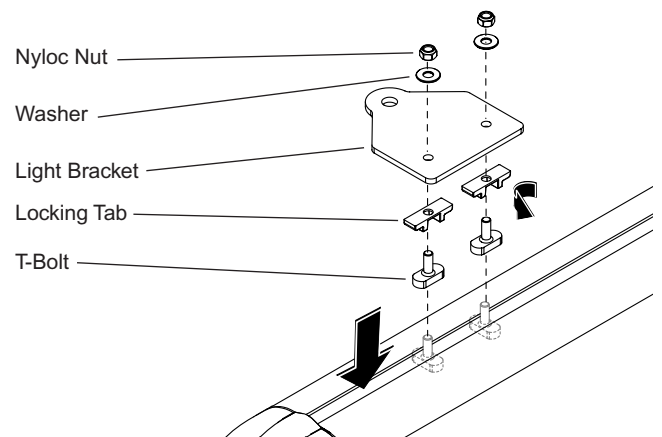
Item	Component Name	Qty	Part No.
1	M6 x 16mm T Bolt	2	B089
2	Work Light Bracket	1	A118
3	M6 Washer	2	W031
4	M6 Nyloc Nut	2	N013
5	Locking Tab	2	M086
6	Fitting Instruction	1	RS314



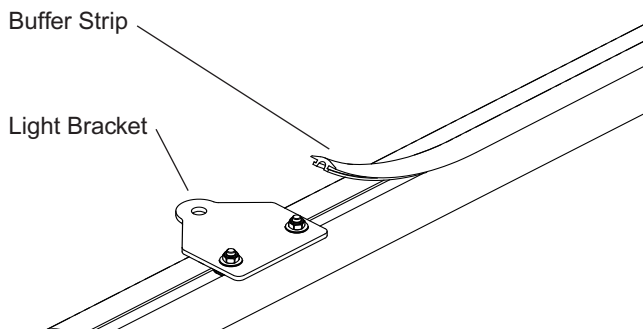
- 1** Remove the rubber buffer strip from the bar as this will have to be cut



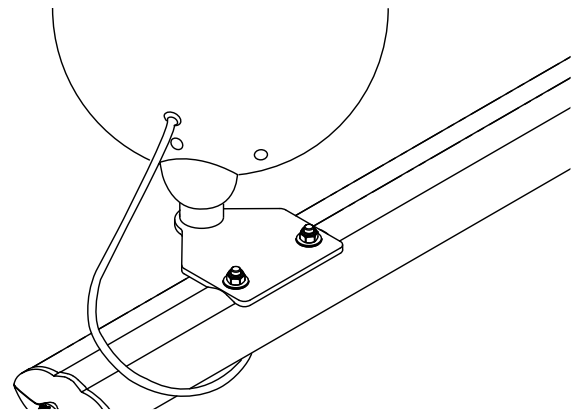
- 2** Insert the T-Bolts into the channel parallel with the cross bar. Rotate the T-Bolts 90° inside the channel. Place the Locking Tab over the T-Bolts. Assemble light bracket as shown below.



- 3** Cut the rubber buffer strip to suit and insert back into the channel as indicated. You will need to insert buffer strip on either side of the light bracket.



- 4** Re-Insert and attached your Sportz Leg or End Cap. Mount work light onto work light bracket.



Rhino-Rack  
3 Pike Street, Rydalmere, NSW 2116, Australia.  
(Ph) (02) 9638 4744 (Fax) (02) 9638 4822

Prepared By: Craig Jones  
Authorised By: Gary England

Document No: RS314  
Issue No: 02  
Issue Date: 03/08/2007

These instructions remain the property of Rhino Rack Australia Pty Ltd T/as Rhino-Rack and may not be used or changed for any other purpose than intended.