



RHINO-RACK

Aerodynamic & Heavy Duty Roof Rack Systems

S550 35mm Rhino Wrap Around Riser

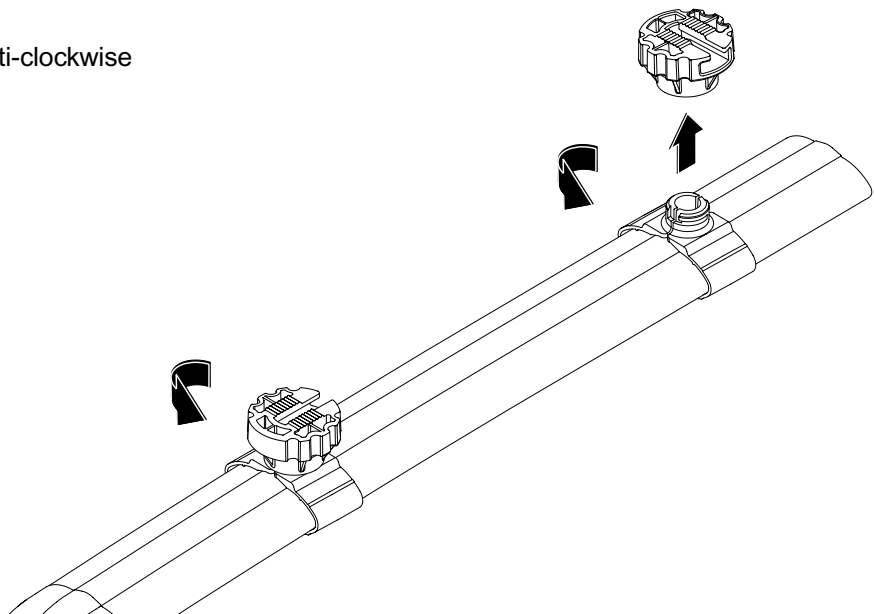
Place these instructions in the vehicle's glove box after installation is complete.

Important: Please read these instructions carefully prior to installation. Please refer to your fitting instruction to ensure that the roof racks are installed in the correct locations. Check the contents of kit before commencing fitment and report any discrepancies

Maximum carrying capacity: 35kg

1

Turn the short wrap around nuts anti-clockwise by hand to remove.



2

Install the Rhino wrap around riser's by turning them in a clockwise direction. Make sure the T slots at the top of the riser's are facing each other when tight.

