



RHINO-RACK

Aerodynamic & Heavy Duty Roof Rack Systems

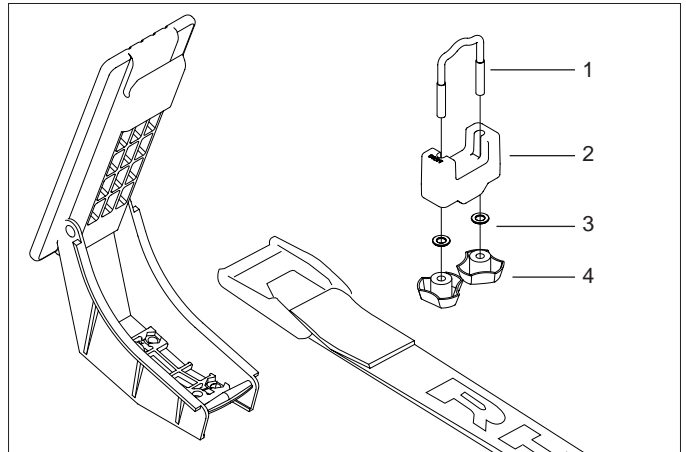
S400-FK2 EUROPEAN Bar 32mm x 22mm

Place these instructions in the vehicle's glove box after installation is complete.

Important: Please read these instructions carefully prior to installation.
Please refer to your fitting instruction to ensure that the cross bars are installed in the correct locations.
Check the contents of kit before commencing fitment and report any discrepancies.

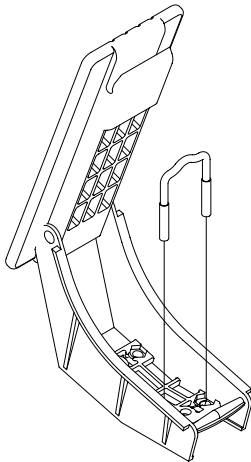
Parts List

Item	Component Name	Qty.	Part No.
1	M6 U-Bolt	4	C064
2	European Bar "U" Adaptor Block	4	M083
3	M6 x 16mm x 1.6mm Flat Washer	8	W031
4	M6 Plastic Knob	8	N008
5	Fitting Instruction	1	RS-273



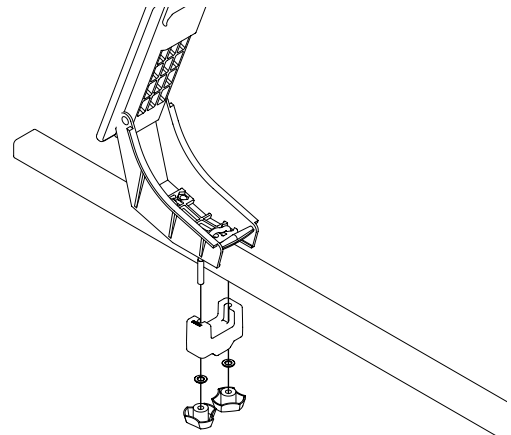
Insert the U-bolt through the kayak / canoe carrier mounting holes (front or back holes).

1



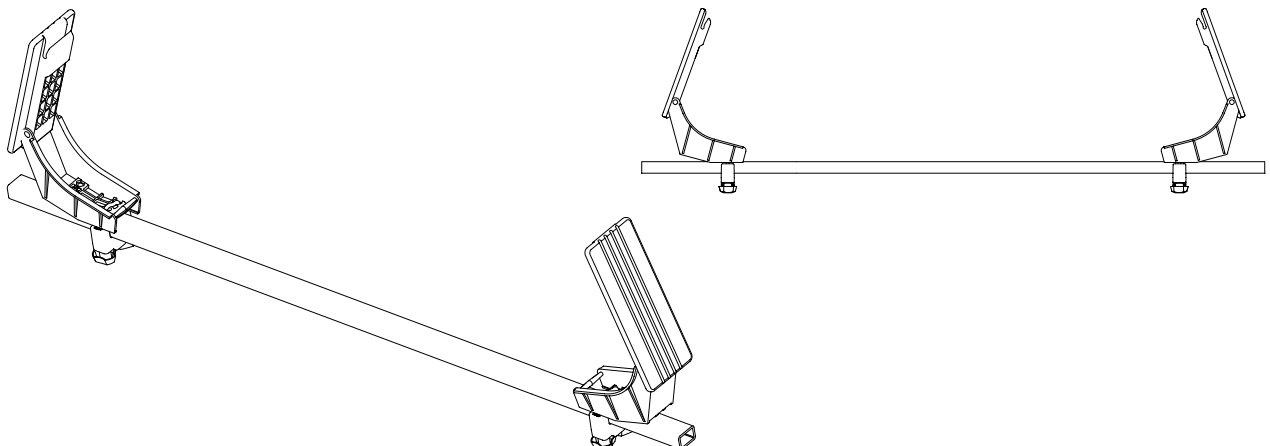
2

Place the carrier and U-bolt over the crossbar. Insert the European bar adaptor block, flat washers and knobs onto the U-bolt.



Adjust the carriers to suit the kayak or canoe, then tighten the knobs to secure the carriers.

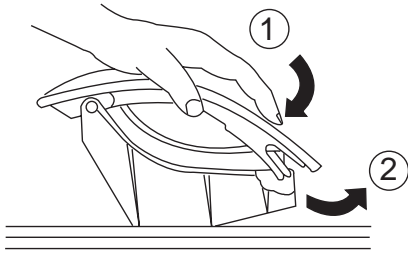
3



Kayak / Canoe Carrier Loading Instruction

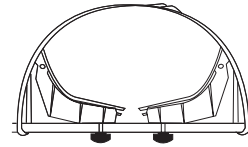
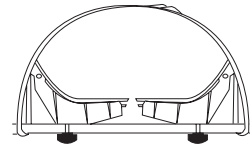
Insert the rubber kayak / canoe support pad cut out into the carrier housing locating bar.

1



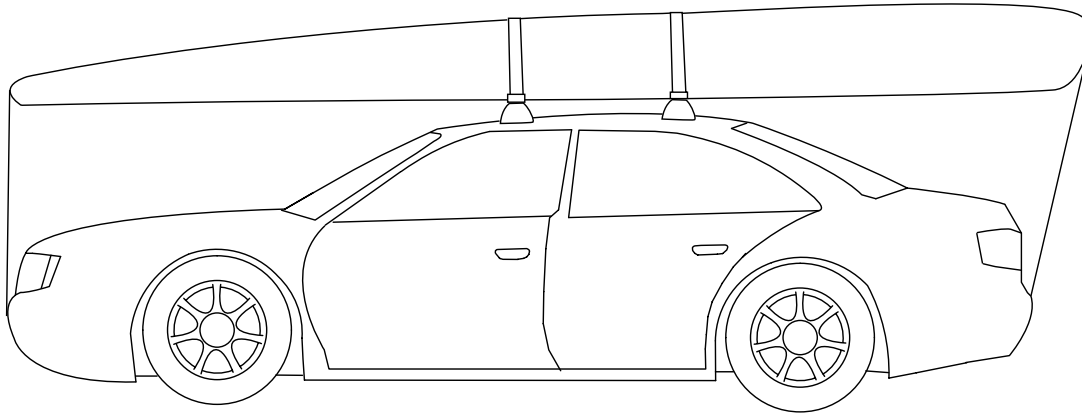
Below are the 2 positions in which the carriers can be fitted to suit various kayak / canoe shapes. When using the tie down straps provided please fasten as shown below. After securing the kayak or canoe, check the load for safety.

2



Long Load Instruction

Long loads must be secured front and rear as shown below.



Please Note: The maximum permissible roof load must not be exceeded (see vehicle hand book for details of the maximum roof load).
The roof load comprises the weight of the basic rack plus the additional accessory and load itself.
Check that the rack system is securely fitted before each trip and at regular intervals.

Sensitivity to cross winds, behaviour in curves and braking:

The handling of the vehicle changes when transporting a load on the roof. For safety reasons, we recommend you exercise extreme care transporting wind resistant loads.

Rhino-Rack
3 Pike Street, Rydalmere,
NSW 2116, Australia.
(Ph) (02) 9638 4744
(Fax) (02) 9638 4822

Document No: RS-273
Prepared By: Craig Jones
Authorised By: Gary England

Issue No: 02
Issue Date: 19/10/2006

These instructions remain the property of Fetovu Pty Ltd T/as Rhino-Rack and may not be used or changed for any other purpose than intended.